

STRIKE PRO FISHING



Be Sure
to Read this
Manual
Before Use

Operation Manual



www.universal-space.com

CONTENT

| | |
|-------------------------------------|----|
| IMPORTANT SAFETY INSTRUCTIONS | 2 |
| 1. SPECIFICATIONS | 4 |
| 2. PACKAGE CONTENTS | 5 |
| 3. PART NAME | 6 |
| 4. SET UP & INSTALLATION | 7 |
| 5. HOW TO PLAY..... | 10 |
| 6. GAME OPTION | 11 |
| 7. ERROR MESSAGE AND RECOVERY | 16 |
| 8. MAINTENANCE & INSPECTION | 18 |
| 9. OVERALL CONSTRUCTION..... | 19 |

Non-technical personnel who do not have technical knowledge and Expertise should refrain from performing such work that this manual require or perform tasks which are not explained in this manual. Failing to comply can cause severe accidents such as electric shock or other serious injuries. All repairs must be performed to original manufacturer specifications.

WARNING: To reduce the risk of fire, electric shock or personal injury, unplug or disconnect the machine from the power supply before servicing.

Thank you for purchasing **Strike pro Fishing**. We hope you enjoy the product.

This manual contains valuable information about how to operate and maintain your game machine properly and safely. It is intended for the owner and/or personnel in charge of product operation. Carefully read and understand the instructions.

If you need any help during installation and setup please utilize this manual and troubleshooting guide. If the product fails to function properly, *non-technical personnel should under no circumstance attempt to service the machine*. Contact your distributor or manufacturer for help.

Before use, please read **IMPORTANT SAFETY INSTRUCTIONS**.

IMPORTANT SAFETY INSTRUCTIONS

To ensure the safe usage of this product, carefully read and understand these instructions before operating your game.

Save these instructions for future reference.

Use this product only as described in this manual. Other uses not recommended may cause fire, electric shock or personal injury. Unplug the game from the outlet when not in use, when moving from one location to another, and before cleaning/servicing.

Explanations which require special attention are indicated by signs of warning. Depending on the potential hazardous degree, the terms: **NOTE**, **NOTICE**, and **WARNING** are used.

NOTE: A NOTE indicates useful hints or information about product usage.

NOTICE: A NOTICE indicates potential damage to product and how to avoid the problem.

WARNING: A WARNING indicates a potential for product damage or serious personal injury.

It is important to understand the meaning of the following HAZARD SIGNS before continuing:

High Voltage and Shock Hazard:

High voltage can cause electric shock.

Turn off/unplug power before servicing.



High Temperature Hazard:

This part may cause scalding.

Do not touch. Surface may be hot.



No Touching Hazard:

This part may be hot or can cause electric shock.

Do not touch.



Use the following safety guidelines to help ensure your own personal

safety and to help protect your equipment and surrounding environment from potential damage.



This product is an indoor game machine. Do not install outdoors.

Avoid installing in the following places to prevent fire, electric shock, injury and/or machine malfunctioning:

- Places subject to rain/moisture, or places subject to high humidity.
- Places subject to direct sunlight, or places subject to extremely hot or cold temperatures to ensure that it is used within the specified operating range.
- Places where inflammable gas may be present or in the vicinity of highly inflammable/volatile chemicals or items that can easily catch fire
- On unstable or sloped surfaces. The machine may topple or cause unforeseen accidents.
- Vicinity of fire exits, fire extinguishers etc that may block/prevent safety measures

IMPORTANT NOTE:

ALL REPAIRS MUST BE DONE TO ORIGINAL MANUFACTURER SPECIFICATIONS. FAILURE TO DO SO VOID ALL WARRANTIES AND OPERATOR ASSUMES ALL RISKS.

Note: The contents of this manual may be updated without notice.

1. SPECIFICATIONS


Rated power supply: **AC110V 50/60Hz**

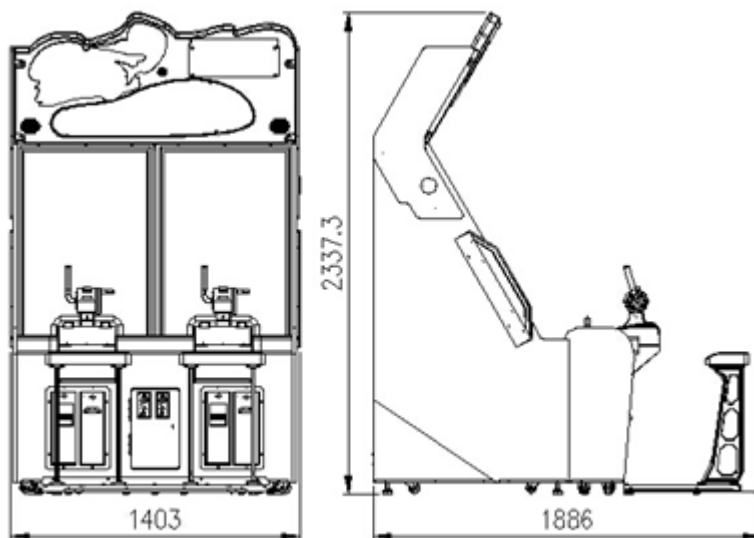
Min. Power consumption: **310W**

Max. Power consumption: **760W**


Dimensions: **W1403×D1886×H2337 (mm)**

Weight: **Approximately 290kg**

 **NOTICE:** After turning off the game, please wait at least 1 minute before restarting again.






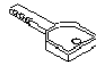
Note: Game parameters are subject to change without notice.

 **NOTICE:** After turning off the game, please wait at least 1 minute before restarting again.

2. PACKAGE CONTENTS

Open the package and make sure all the items are included:

1. 1 x Body Assembly
2. Following accessories

| No. | Code | Name | Spec. | Qty | Picture |
|-----|-------------|------------|------------------------|-----|---|
| 1 | 23301010020 | Power cord | 3*16AWG 1.8M | 1 |  |
| 2 | 21901000012 | Fuse | Φ5×20mm T10A 250VAC | 1 |  |
| 3 | 41440000140 | Manual | ENGLISH | 1 |  |
| 4 | 25300171002 | Key | 171A | 2 |  |
| 5 | 25302222002 | | 2222 | 2 |  |

NOTE: Part models are subject to change without notice.

3. PART NAME



4. SET UP & INSTALLATION

! This product is an indoor game machine. Do not install outdoors.

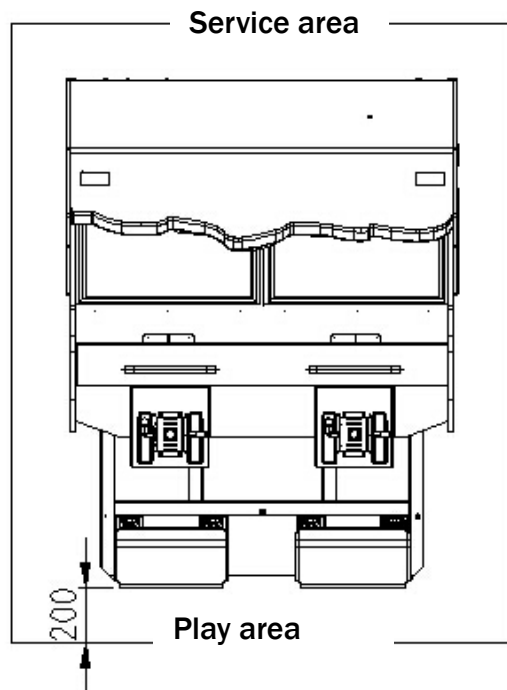
- Refer to IMPORTANT SAFETY INSTRUCTIONS (Pg. 2) for places to avoid
- Place the unit on a dry level surface
- Ventilation openings in the back of the unit must not be obstructed by objects or by wall.

4.1 Play Zone

This machine requires space for playing and for maintenance as shown below.

Leave space around the game upon installation:

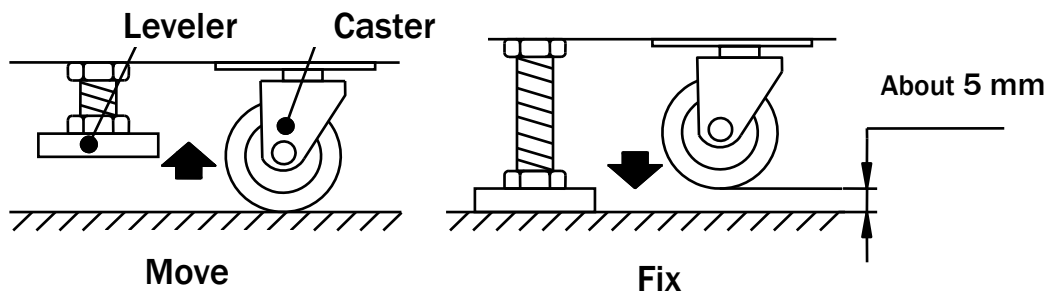
Play area: 200mm



4.2 Level Adjustment

Install this machine on a flat surface. Adjust levers to lift casters off the ground to level the game. If the game is installed on an unsuitable floor, it could cause game malfunction.

To secure the game, adjust the Leveler down until it touches the floor, lifting the casters off the ground by 5mm. Repeat the same for all levelers.

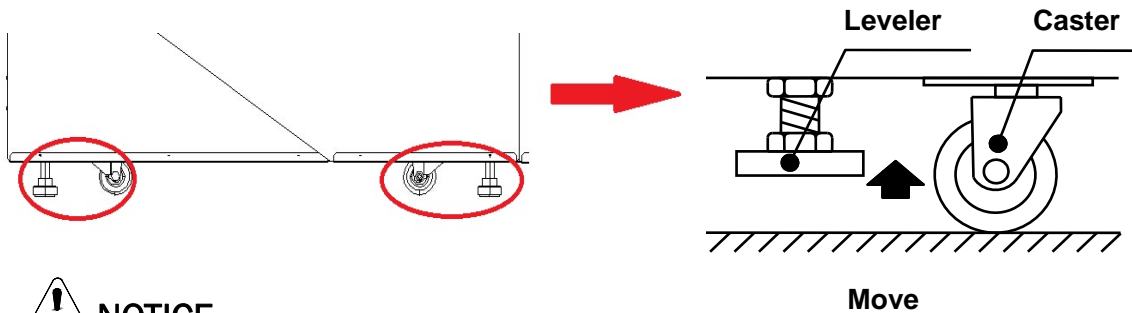


NOTICE

Make sure the machine is level with the ground and all the adjustable legs should stick to the floor closely.

4.3 Transporting the Game

If you need to move the game, adjust the levelers back to an “up” position so the casters touch the ground.



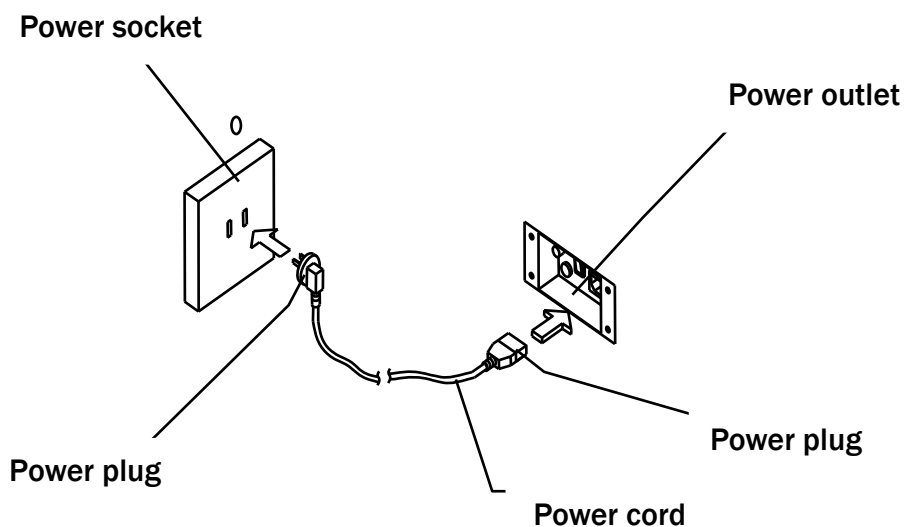
! NOTICE

- Be careful not to damage the machine during transport.
- The machine should be handled with care when bringing it down from a higher level.
- Always unplug the game before moving.
- Keep the machine in upright position during transport.
- For longer distance transport, package the game properly to prevent damages.

4.4 Connecting Power

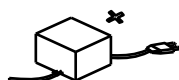
! **WARNING:** Check the voltage rating before you connect the equipment to an electrical outlet to ensure that the required voltage and frequency match the available power source. Please refer the label of the machine.

- Do not plug the equipment power cables into an electrical outlet if the power cable is damaged.
- Avoid putting many loads on one electrical outlet as it could generate heat and fire resulting from overload.
- Connect the grounding conductor to the earth terminal (GND):

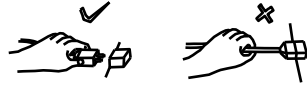


! WARNING

Ensure no heavy objects rest on the power cord. Check to make sure the game cabinet does not sit on the power cord as this could damage the cord and become hazardous.



To disconnect the game, grip the plug and pull it from the wall outlet. Never pull by the cord.



To prevent electric shock, do not touch the power plug when hand is wet.



Ensure that nothing rests on the power cord and that it is not located where it can be stepped on or tripped over.



5. HOW TO PLAY

1. Insert coin(s). Press the start button to start the game. It will display "LIFT THE ROD" after players hook fish.



2. LIFT THE ROD



3. When players lift the rod, they can see this BAR. Be careful not to pull too tight, if put to SNAP the fish wire will be broken.



6. GAME OPTION

6.1 Main Menu

| |
|-------------------------|
| Basic Setting |
| Customized Setting |
| Input Test |
| Output Test |
| Game Reset |
| Date/Time Setting |
| Language |
| Bookkeeping |
| Daily Record |
| Reel Resistance Setting |
| About This Game |
| Back to Game |

6.2 Basic Setting

| | |
|----------------|----------------------------------|
| Free Play | ON/OFF |
| Tickets Out | ON/OFF |
| Demo Music | ON/OFF |
| Memory Save | ON/OFF |
| Volume | 0 - 10 |
| Payout | ON/OFF |
| Coins Per Game | 1 - 9 |
| Out of Tickets | Store in memory / Call Attendant |
| Record Debug | ON/OFF |
| Back & Save | |
| Back | |

6.3 Customized Setting

| Single Catch per play | ON/OFF |
|-------------------------|--|
| Game Time | 30 - 60s(When "Single Catch per play" set to "ON", "Game Time" is unable.) |
| 5 - 20 LB Tickets | 0 - 100(It is able, when "Single Catch per play" set to "OFF".) |
| 21 - 50 LB Tickets | 0 - 100(It is able, when "Single Catch per play" set to "OFF".) |
| 51 - 99 LB Tickets | 0 - 100(It is able, when "Single Catch per play" set to "OFF".) |
| 100 LB and UP Tickets | 0 - 100(It is able, when "Single Catch per play" set to "OFF".) |
| 5 LB Tickets | 0 - 100(It is able, when "Single Catch per play" set to "ON".) |
| 20 LB Tickets | 0 - 100(It is able, when "Single Catch per play" set to "ON".) |
| 50 LB Tickets | 0 - 100(It is able, when "Single Catch per play" set to "ON".) |
| 100 Tickets | 0 - 100(It is able, when "Single Catch per play" set to "ON".) |
| Mercy Tickets | 0 - 10 |
| Mega Fish Bonus Tickets | 50 - 2000 |
| Angler Bonus Tickets | 50 - 500 |
| Reset Angler Bonus | ON/OFF |
| Cast Bar Speed | Slow/Medium/Fast/ |
| Auto Cast Time | 1 - 20 |
| Payout | |
| Back & Save | |
| Back | |

6.4 Input Test

| | |
|---------------------------|--------|
| Service Button | ON/OFF |
| Recovery Button | ON/OFF |
| Cast Button | ON/OFF |
| Coin State | ON/OFF |
| Ticket State | ON/OFF |
| Reel Signal | ON/OFF |
| Rod Angle | ON/OFF |
| Reel Count | ON/OFF |
| Press Test Button to Back | |

6.5 Output Test

| |
|-------------------------|
| Reel Shock |
| Flash Cast Light |
| Output Tickets |
| Rod Resistance |
| Reel Resistance |
| Mega Fish Bonus Tickets |
| Back |

6.6 Game Reset

| |
|--------------------------|
| Factory Restore |
| Reset Basic Setting |
| Reset Customized Setting |
| Clear All Records |
| Clear Owned Ticket |
| Clear Unused Coin |
| Back |

6.7 Date Time Setting

| | |
|------------------------|------------------------|
| Year | 2000 - 2100 |
| Month | 1- 12 |
| Day | 1 - 28/29/30/31 |
| Hour(24) | 1 - 23 |
| Minute | 1 - 59 |
| Second | 1 - 59 |
| Back & Save | |
| Back | |

6.8 Bookkeeping

| |
|----------------|
| Player |
| Coins |
| Tickets |
| PayOut |
| Back |

6.9 Daily Record

| |
|------------------|
| Date |
| Week |
| Coins |
| Tickets |
| Payout |
| Prev Page |
| Next Page |
| Clear |
| Back |

6.10 Reel Resistance Setting

| | |
|-------------------------------|--|
| Resistance Level | 0 - 9 |
| Small Fish Resistance | 1 - 9 |
| Medium Fish Resistance | 1 - 9 |
| Big Fish Resistance | 1 - 9 |
| Mega Fish Resistance | 1 - 9 |
| Test Resistance | OFF/Small Fish/Medium Fish/Big Fish/Mega Fish |

6.11 About This Game

| |
|--------------------|
| CPU |
| MotherBoard |
| HDD |
| RAM |
| Monitor |
| Screen |
| Version |

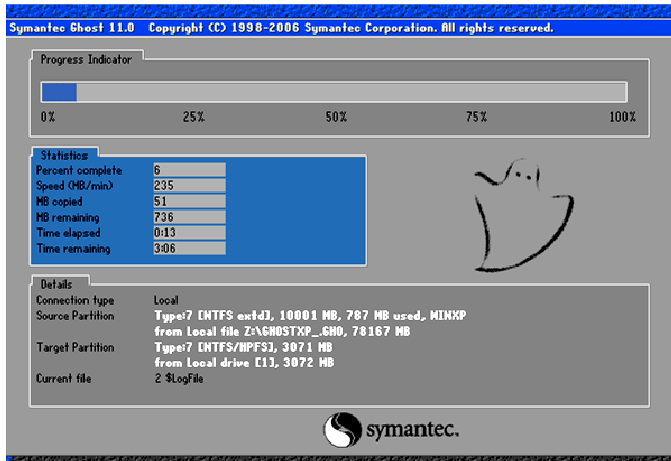
7. ERROR MESSAGE AND RECOVERY

7.1 Trouble Shootings

- Please confirm whether every connector connected tightly.

| Troubles | Cause | Methods |
|--|--|--|
| Cannot start | Frame assembly connector fall off | Please plug in connector tightly |
| | Frame assembly fault | Please contact with dealer |
| Power cutting | Circuit protector make power SW in cutting state | Please turn on power SW again. If appeared again and again, machine has anomaly. Please contact with dealer |
| Coin mech. no reaction | Coin mech. fault | Change coin mech. |
| | Coin mech. signal cable loosen | Check coin mech. signal line loosen or not |
| | IO control board fault | Change IO board |
| Speaker no sound | Volume set too low | Please raise the volume |
| | Connector falls off | Please plug in connector tightly |
| | PCB fault | Please change PCB |
| | Speaker fault | Please change speaker |
| Monitor black screen | Connector falls off | Please plug in connector tightly |
| | Monitor fault | Please change monitor |
| Monitor blue screen | PC power cord is loose | Check PC power cord whether is loose. |
| | VGA signal cable is loose. | Check VGA signal whether is loose. |
| | PC video card is loose. | Plug video card again. |
| | PC into protection | Open front cover, if power on light flash all the time. Press power button 30s, then restart. If no work, please call Lenovo: 8008108888 |
| Playing normal, but appear system halted | Video card is loose or poor contact | Plug video card again |
| | PC crash | Restart or system recovery |
| Start button no reaction | Connector falls off | Please plug in connector tightly |
| | Button breakdown | Please change star button |

7.2 System Recovery Operation



1. Turn off the game. Insert the memory stick into the USB port at the back of the computer.

2. Restart PC to enter the system recovery screen as shown.

3. The game will automatically start recovery which will last about 5 minutes. Please wait until process is complete. Please wait until process is complete.



4. Once system recovery is finished (as shown on the left), remove the USB flash drive from the computer and turn off the PC. Wait at least 30 seconds before restarting the PC.



WARNING: the USB flash drive should only be used to fix software errors. Using it for other purposes may cause unexpected results and damages.

8. MAINTENANCE & INSPECTION

8.1 Safety Check

Check the points listed before operating the machine. These checks are necessary for safe machine operation:

1. Try to run the game before operation each day.
2. Conduct monthly routine checks of game components ensure good working condition
3. Check the machine regularly for dust and clean when necessary.

Note: Parts and components require preventative maintenance to be kept running smoothly

8.2 Handling Precautions

When installing or inspecting the machine, be very careful of the following points and pay attention to ensure that the player can enjoy the game safely.

Non-compliance with the following points or inappropriate handling running counter to the cautionary matters herein stated can cause personal injury or damage to the machine

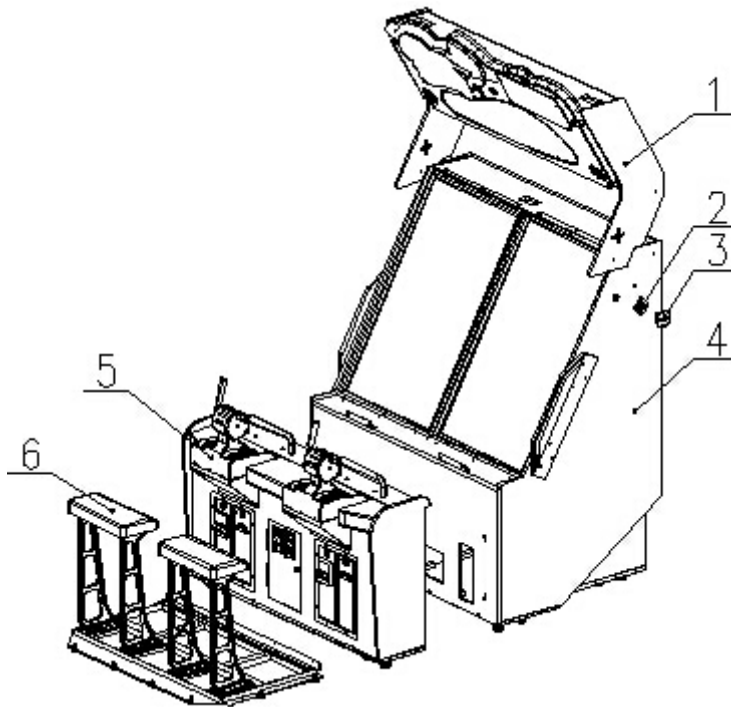


WARNING

- Before servicing the machine, be sure to turn power off. Servicing without turning the power off can cause electric shock or short circuit.
- To avoid electric shock or short circuit, do not plug then unplug the power quickly
- Do not expose power cords and earth wires, these are susceptible to damage.
- Damaged cords and wires can cause electric shock or short circuit and should be replaced immediately.
- When or after installing the product, avoid pulling the power cord to prevent unnecessary wear and tear. Use the power button to disconnect power.
- In case the power cord is damaged, ask for replacement through where the product was purchased from or replace locally. Continued usage of damaged cord can cause fire, electric shock or leakage.
- Perform grounding appropriately. Inappropriate grounding can cause electric shock.
- Use fuses that meet specified rating. Fuses exceeding can cause an electric shock.
- Should a problem occur, turn off the power immediately and stop operating the machine. Unplug the power cord of the service outlet. Operating the machine without correcting the problem may cause a fire or injuries.
- Insert the power plug securely into the outlet. Poor contact may cause overheating, resulting in fire or burns.
- To ensure the warning labels attached on the machine are visible and legible, install the machine in a well-lit location, and keep the labels clean at all times. Make sure the labels are not hidden behind other game machines.

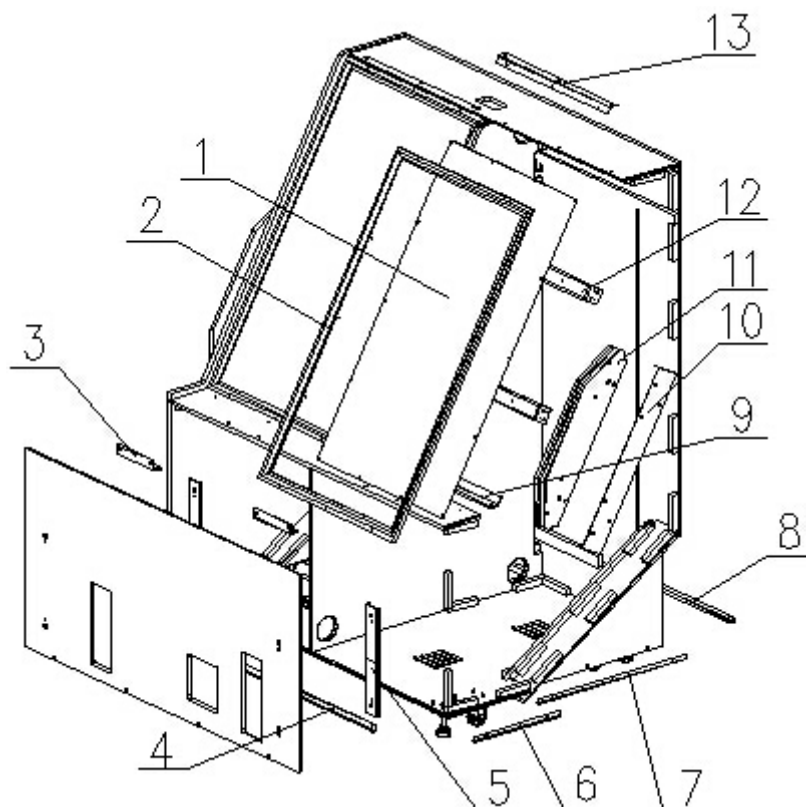
9. OVERALL CONSTRUCTION

9.1 Assembly Part 1



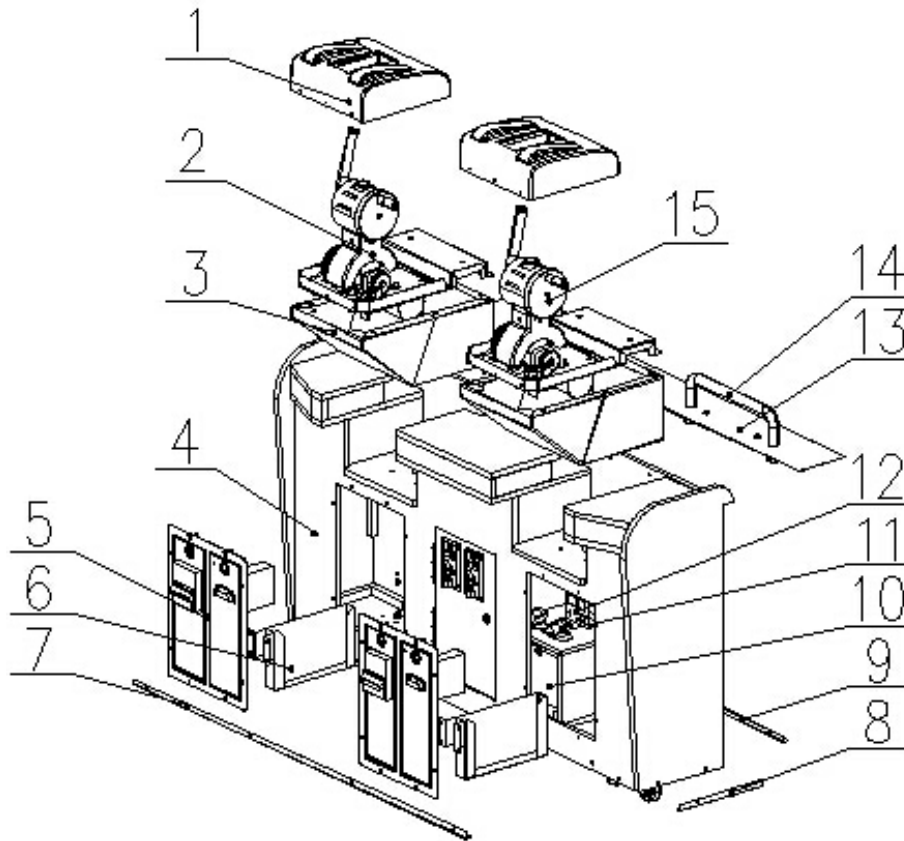
| No. | Part No. | Code | Name | Material | Qty |
|-----|--------------|-------------|-------------------------------------|----------|-----|
| 1 | S138-006-000 | 29941504003 | Marquee assy. | Assy. | 1 |
| 2 | S138-270-000 | 20241504001 | Marquee br. base | 45 steel | 2 |
| | S138-160-000 | 20101000059 | Cross recessed pan head screw suite | Q235 | 8 |
| 3 | S138-269-000 | 20241504002 | Marquee br. | 45 steel | 2 |
| | S138-148-000 | 20101018013 | Hexagon socket button head screw | Q235 | 8 |
| | S138-420-000 | 20106000136 | Deep groove ball br. | | 2 |
| 4 | S138-001-000 | 29941504001 | Main cabinet assy. | Assy. | 1 |
| 5 | S138-002-000 | 29941504010 | Control panel assy. | Assy. | 1 |
| | S138-142-000 | 20104000033 | Hexagon head bolt | Q235 | 4 |
| | S138-143-000 | 20113000005 | Spring washer | | 4 |
| | S138-132-000 | 20113000051 | C class flat washer | | 4 |
| 6 | S138-007-000 | 29941504009 | Stool Assy. | Assy. | 1 |
| | S138-174-000 | 20101010027 | Cross recessed pan head screw | Q235 | 4 |

9.2 Assembly Part 2



| No. | Part No. | Code | Name | Material | Qty |
|-----|--------------|-------------|---|----------|-----|
| 1 | S138-252-000 | 20641504005 | Monitor plexi. | Plexi. | 2 |
| 2 | S138-251-000 | 20241504006 | Monitor frame | Q235 | 2 |
| | S138-149-000 | 20102030022 | Prevailing torque type hexagon nut with non-metallic insert | Q235 | 28 |
| 3 | S138-250-000 | 20241504005 | Connect reinforce metal | Q235 | 2 |
| | S138-148-000 | 20101018013 | Hexagon socket button head screw | Q235 | 4 |
| 4 | S138-254-000 | 20241504004 | Light cover plate | Q235 | 1 |
| | S138-144-000 | 20101010018 | Cross recessed countersunk head screw | Q235 | 4 |
| 5 | S138-265-000 | 20241504014 | Control panel connect metal | Q235 | 2 |
| | S138-158-000 | 20101000136 | Cross recessed pan head screw | | 4 |
| 6 | S138-258-000 | 20241504012 | Wooden sides protection bar 2 | Q235 | 2 |
| 7 | S138-259-000 | 20241504011 | Wooden sides protection bar 1 | Q235 | 2 |
| 8 | S138-264-000 | 20241504010 | Wooden back protection bar | Q235 | 1 |
| 9 | S138-257-000 | 20241504008 | Monitor bottom support plate | Q235 | 2 |
| 10 | S138-254-000 | 20241504004 | Light cover plate | Q235 | 2 |
| | S138-151-000 | 20101010012 | Hexagon countersunk head screw | Q235 | 12 |
| 11 | S138-253-000 | 20641504006 | Sides plexi. | Plexi. | 2 |
| | S138-150-000 | 20101030177 | Cross recessed countersunk head screw | Q235 | 4 |
| 12 | S138-256-000 | 20241504009 | Monitor support | Q235 | 4 |
| | S138-154-000 | 20101020035 | Cross recessed pan head screw suite | Q235 | 16 |
| | S138-155-000 | 20101020046 | Cross recessed pan head screw suite | Q235 | 8 |
| 13 | S138-255-000 | 20241504007 | Monitor top support plate | Q235 | 2 |

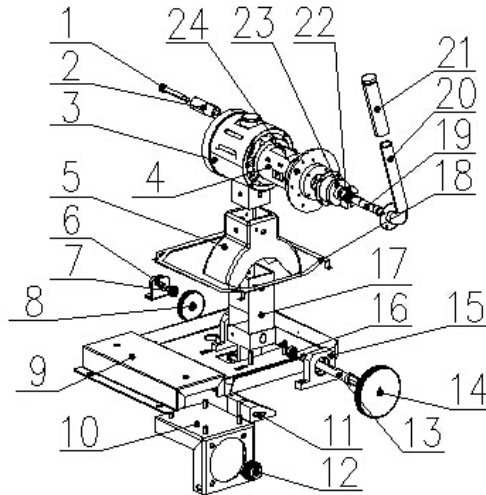
9.3 Assembly Part 3



| No. | Part No. | Code | Name | Material | Qty |
|-----|--------------|-------------|---|----------|-----|
| 1 | S138-003-000 | 29941504019 | Control panel vacuum foam assy. | Assy. | 2 |
| | S138-114-000 | 20101000066 | Hexagon socket button head screw | | 6 |
| | S138-128-000 | 20113000003 | Spring washer | | 6 |
| 2 | S138-004-000 | 29941504017 | Reel L | Assy. | 1 |
| 3 | S138-208-000 | 20241504036 | Reel mechanism base box | Q235 | 2 |
| | S138-111-000 | 20104020002 | Cross recessed heagon head bolt suite | Q235 | 8 |
| 4 | S138-008-000 | 29941504013 | Control panel wooden | Assy. | 1 |
| 5 | S138-205-000 | 29941504016 | Ticket door | | 2 |
| | S138-109-000 | 20104010017 | Cup head square neck bolt with large head | Q235 | 16 |
| | S138-110-000 | 20102000030 | Hexagon nut with flange | | 16 |
| 6 | S138-242-000 | 20241504023 | Ticket bin | Q235 | 2 |
| | S138-137-000 | 20102000011 | Hexagon nut with flange | | 8 |
| 7 | S138-204-000 | 20241504025 | Control panel protection bar 1 | Q235 | 1 |
| | S138-140-000 | 20101017001 | Hexagon countersunk head screw | Q235 | 4 |
| 8 | S138-203-000 | 20241504030 | Control panel protection bar 3 | Q235 | 2 |
| | S138-107-000 | 20101000006 | Hexagon socket button head screw | | 4 |
| 9 | S138-241-000 | 20241504026 | Control panel protection bar 2 | Q235 | 1 |
| | S138-136-000 | 20101000018 | Cross recessed countersunk head screw | | 4 |
| 10 | S138-245-000 | 20241504024 | Metal coin funnel | Q235 | 1 |
| 11 | S138-244-000 | 20241504021 | Bottom coin funnel | Q235 | 2 |
| 12 | S138-243-000 | 26000044000 | Meter bracket | Metal | 1 |

| No. | Part No. | Code | Name | Material | Qty |
|-----|--------------|-------------|----------------------------------|-----------------|-----|
| 13 | S138-246-000 | 29941504014 | Control panel cover plate | | 1 |
| | S138-129-000 | 20101008007 | Hexagon socket button head screw | Q235 | 4 |
| | S138-134-000 | 20113100005 | Spring washer | Stainless steel | 4 |
| 14 | S138-247-000 | 20241504058 | Control panel cover plate handle | Stainless steel | 2 |
| | S138-139-000 | 20104101014 | Hexagon head bolt | Stainless steel | 2 |
| 15 | S138-005-000 | 29941504022 | Reel R | Assy. | 1 |

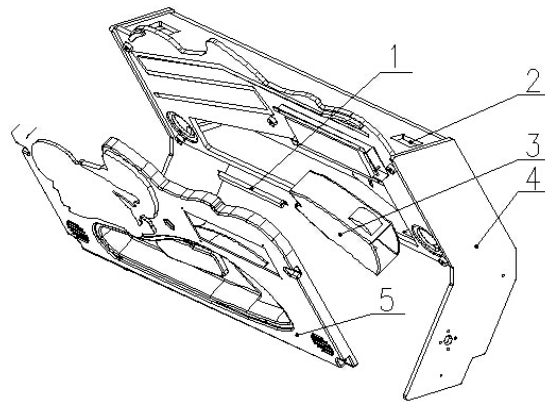
9.4 Assembly Part 4



| No. | Part No. | Code | Name | Material | Qty |
|-----|--------------|-------------|---|----------|-----|
| 1 | S138-226-000 | 20241504044 | Bolt | Q235 | 1 |
| | S138-116-000 | 20102030023 | Prevailing torque type hexagon nut with non-metallic insert | Q235 | 1 |
| 2 | S138-225-000 | 20641341004 | Rotation handle | Nylon | 1 |
| 3 | S138-222-000 | 20241504040 | Reel frame L | Q235 | 1 |
| | S138-121-000 | 20101020040 | Cross recessed pan head screw suite | Q235 | 5 |
| 4 | S138-228-000 | 20241504043 | Inner ring | Q235 | 1 |
| 5 | S138-221-000 | 20241504054 | Rod cover | Q235 | 1 |
| 6 | S138-239-000 | 20241504052 | POT fixed plate | Q235 | 1 |
| 7 | S138-238-000 | 20241504037 | POT gear | 45 steel | 1 |
| 8 | S138-235-000 | 20241504035 | Code gear | 45 steel | 1 |
| 9 | S138-217-000 | 20241504022 | Base box | Q235 | 2 |
| 10 | S138-214-000 | 20241504053 | Motor base | Q235 | 1 |
| 11 | S138-216-000 | 20641504011 | Limit block | | 2 |
| | S138-118-000 | 20104000027 | Hexagon head bolt | Q235 | 2 |
| 12 | S138-215-000 | 20241504056 | Small synchronous pulley | | 1 |
| | S138-117-000 | 20101010170 | Hexagon socket set screw with flat point | Q235 | 1 |
| 13 | S138-218-000 | 20241504051 | Br. | 45 steel | 1 |
| | S138-404-000 | 20115005007 | A type flat key | | 1 |
| | S138-405-000 | 20115005006 | A type flat key | 45# | 1 |
| 14 | S138-219-000 | 20241504057 | Large synchronous pulley | | 1 |
| | S138-119-000 | 20105000020 | A type external circlip | Q235 | 1 |

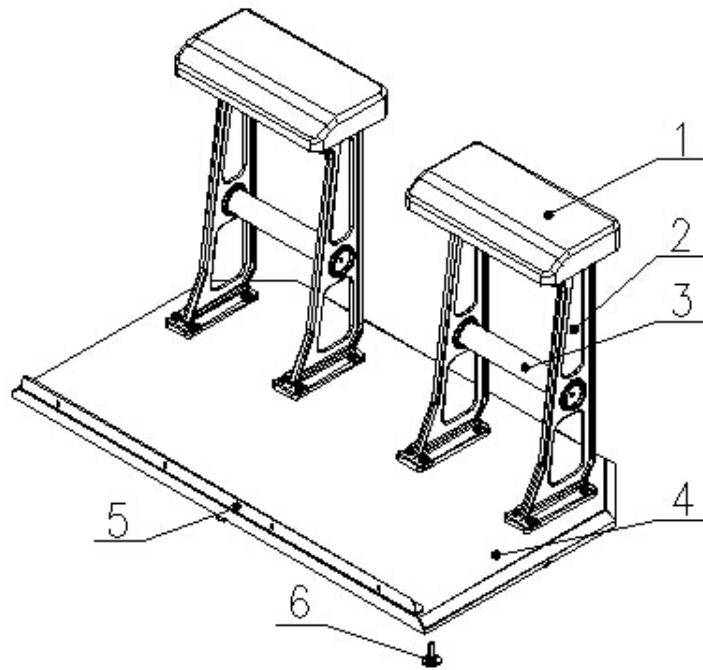
| No. | Part No. | Code | Name | Material | Qty |
|-----|--------------|-------------|---|-------------------|-----|
| 15 | S138-220-000 | 20241504050 | Br. base | 45 steel | 2 |
| | S138-408-000 | 20106000060 | Deep groove ball br. | | 2 |
| 16 | S138-234-000 | 20241504055 | Limit ring | Q235 | 2 |
| 17 | S138-236-000 | 20241504049 | Connect base | Q235 | 1 |
| 18 | S138-237-000 | 20641504012 | Light bracket | PVC | 1 |
| | S138-108-000 | 20102030011 | Hexagon nut with flange | Q235 | 4 |
| 19 | S138-231-000 | 20241504045 | Turntable welding | | 1 |
| | S138-125-000 | 20105010022 | A type external circlip | | 2 |
| | S138-404-000 | 20115005007 | A type flat key | | 1 |
| 20 | S138-223-000 | 20241504039 | Reel handle | | 1 |
| | S138-114-000 | 20101000066 | Hexagon socket button head screw | | 4 |
| | S138-107-000 | 20101000006 | Hexagon socket button head screw | | 4 |
| 21 | S138-406-000 | 25102000039 | Handle grips | | 1 |
| 22 | S138-229-000 | 20241504048 | Reaction valve | Q235 | 1 |
| | S138-124-000 | 20101019002 | Hexagon socket set screw with sharp point | Q235 | 1 |
| 23 | S138-407-000 | 20741341102 | Brake | | 1 |
| 24 | S138-230-000 | 20241504042 | Aluminium dish | Aluminium 6063 | 1 |

9.5 Assembly Part 5



| No. | Part No. | Code | Name | Material | Qty |
|-----|--------------|-------------|---------------------------------------|----------|-----|
| 1 | S138-274-000 | 20641504003 | Light block bracket | PVC | 1 |
| | S138-159-000 | 20103030017 | Cross recessed pan head tapping screw | Q235 | 2 |
| 2 | S138-424-000 | 25102000098 | Black plastic handle | ABS | 2 |
| | S138-171-000 | 20103040017 | Cross recessed pan head tapping screw | Q235 | 8 |
| 3 | S138-010-000 | 29941504005 | Activity fish | Assy. | 1 |
| | S138-111-000 | 20104020002 | Cross recessed heagon head bolt suite | Q235 | 2 |
| | S138-170-000 | 20104000029 | Hexagon head bolt | Q235 | 1 |
| | S138-132-000 | 20113000051 | C level flat washer | | 1 |
| 4 | S138-009-000 | 29941504004 | Marquee wooden assy. | Assy. | 1 |
| 5 | S138-011-000 | 29941504008 | Marquee vacuum foam assy. | Assy. | 1 |
| | S138-163-000 | 20101108013 | Hexagon socket button head screw | | 5 |
| | S138-164-000 | 20113000060 | C class flat washer | Q235 | 5 |

9.6 Assembly Part 6



| No. | Part No. | Code | Name | Material | Qty |
|-----|--------------|-------------|--|------------------|-----|
| 1 | S138-281-000 | 20641507037 | Stool surface | Blue PU+board | 2 |
| 2 | S138-282-000 | 20241507094 | Stool leg | Aluminium | 4 |
| | S138-172-000 | 20101020146 | Cross recessed pan head screw suite | Q235 | 16 |
| 3 | S138-283-000 | 20241507095 | Connector pipe | Q235 | 2 |
| 4 | S138-285-000 | 20241507084 | Base | | 1 |
| 5 | S138-284-000 | 20241504019 | Connector bar | Q235 | 1 |
| | S138-173-000 | 20101010041 | Cross recessed pan head screw suite | Q235 | 5 |
| 6 | S138-425-000 | 25900022001 | M8×15 adjust leveller | | 9 |

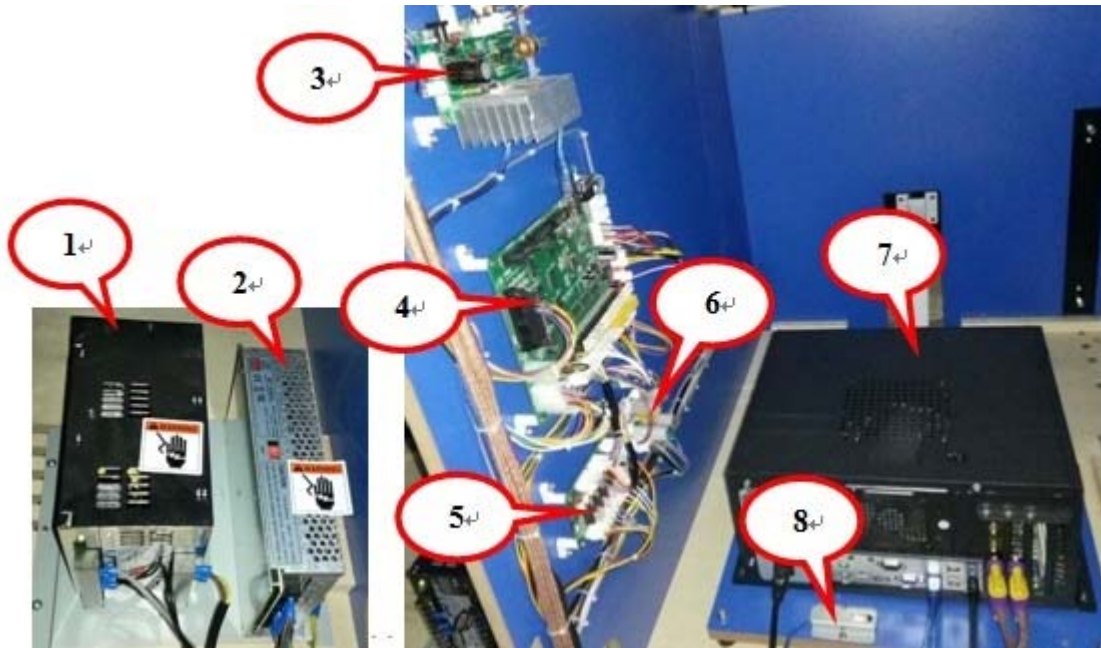
9.7 Electric Part



| No. | Part No. | Code | Name | Material | Qty |
|-----|--------------|-------------|------------------------------|---------------------------|-----|
| 1 | S138-470-000 | 29711406002 | Digital tube PCB | FZXLR-LED40B4.PCB(V1.0) | 1 |
| 2 | S138-456-000 | 22003080008 | Marquee light 1 | W5630-LC85cm-60z/m-DC12V | 1 |
| | S138-457-000 | 22003080003 | Marquee light 2 | W5630-LC30cm-60z/m-DC12V | 1 |
| | S138-458-000 | 22003080006 | Marquee light 3 | W5630-LC100cm-60z/m-DC12V | 1 |
| 3 | S138-445-000 | 22801000005 | Speaker | 4" 4Ω 15W | 2 |
| 4 | S138-466-000 | 21201047001 | Monitor | MT47W-2630 | 2 |
| | S138-451-000 | 23307020001 | DVI-DVI video cable | DVI-DVI(3m) | 2 |
| 5 | S138-469-000 | 22002015005 | Monitor light strip | DC12V,60z/m white | 2 |
| 6 | S138-454-000 | 22402000201 | Button | 57-1820-02 white | 2 |
| 7 | S138-467-000 | 21501000044 | Sensor | UI2403 | 2 |
| 8 | S138-448-000 | 22002013002 | Control panel light | DC12V 5050LED LED | 2 |
| 9 | S138-471-000 | 22003000075 | Red light with base | | 2 |
| 10 | S138-452-000 | 23100000005 | Ticket dispenser | CL-022Q-270 | 2 |
| 11 | S138-453-000 | 21712000001 | Ticket dispenser convert PCB | TICK-CH.PCB | 2 |



| No. | Part No. | Code | Name | Material | Qty |
|-----|--------------|-------------|--------------------|-------------------|-----|
| 1 | S138-444-000 | 22301000001 | Coin mech. | | 2 |
| 2 | S138-442-000 | 23000000006 | Meter | C-012 12VDC 18CPS | 2 |
| 3 | S138-432-000 | 22402010002 | Red button | PB:11C02R | 1 |
| | S138-433-000 | 22402030002 | Green button | PB:11C02R | 1 |
| | S138-434-000 | 22402050001 | Black button | PB:11C02R | 1 |
| 4 | S138-446-000 | 22501000033 | POT | RB50K | 1 |
| | S138-447-000 | 21709000002 | POT connection PCB | VR.PCB | 1 |
| | S138-449-000 | 22403000001 | POT knob | Black | 1 |



| No. | Part No. | Code | Name | Material | Qty |
|-----|--------------|-------------|---------------------|-----------------------------|-----|
| 1 | S138-461-000 | 21602000094 | Power supply | MW-S-150-12 (12V/12.5A) | 1 |
| 2 | S138-460-000 | 21602000043 | Power supply | SP-500-24V | 1 |
| 3 | S138-450-000 | 22803010004 | Power amplifier PCB | JY-2.0 25Wx2 Fr=20-20KHz | 1 |
| | S138-428-000 | 23305000003 | Audio cable | 3.5 1.8M | 1 |
| 4 | S138-427-000 | 29791300001 | M3 board | M3-MB.PCB V1.1 150×200mm | 1 |
| | S138-430-000 | 23304000021 | USB data cable | A/B type 1.5m | 1 |
| 5 | S138-462-000 | 29741504002 | Drive PCB | SHDY-YG.PCB(V1.0) | 1 |
| 6 | S138-472-000 | 29711208001 | Drive PCB | MOS-DRV(V1.0) | 1 |
| 7 | S138-463-000 | 21102000048 | PC | 6300+2G | 1 |
| | S138-464-000 | 21107030041 | PC video card | GTX750 2G | 1 |
| | S138-465-000 | 21107090001 | RAM | DDR3 2G | 1 |
| | S138-436-000 | 23301050002 | Power cord | 3×0.75mm 0.5m | 1 |
| 8 | S138-429-000 | 21107020036 | Dongle | HASP HL PRO | 1 |
| | S138-437-000 | 23304000100 | USB extension cord | A type 0.5M | 1 |

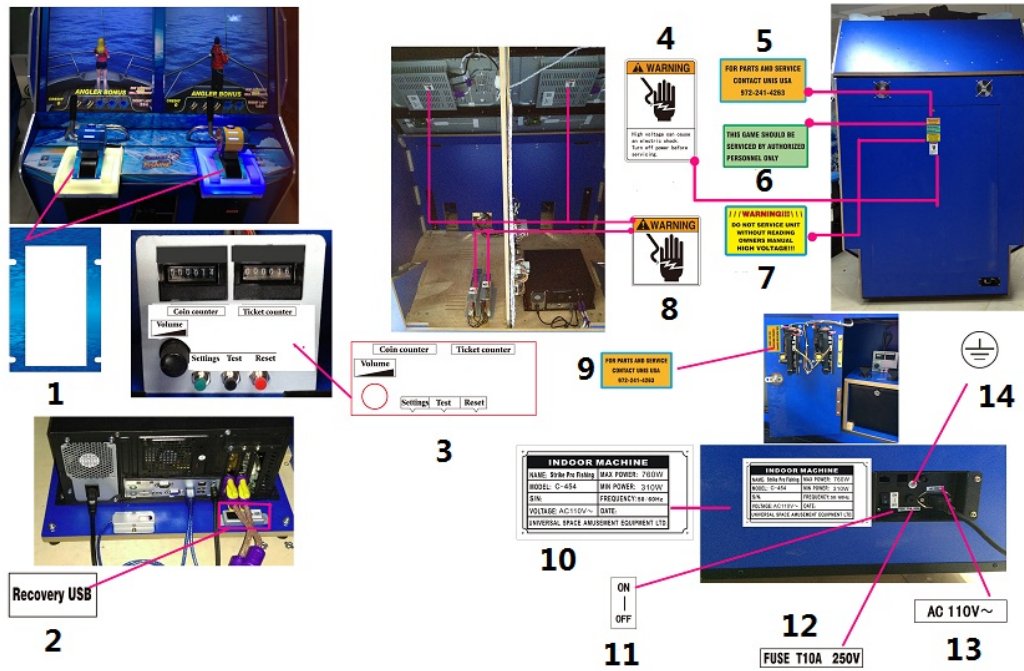


| No. | Part No. | Code | Name | Material | Qty |
|-----|--------------|-------------|-----------------|------------------------|-----|
| 1 | S138-441-000 | 22601000005 | Small rocker SW | T125/55 | 1 |
| 2 | S138-439-000 | 21901000013 | Fuse | Φ5×20mm T10A 250VAC | 1 |
| | S138-440-000 | 21902000006 | Fuse base | R3-11 110V/250V/10A | 1 |
| 3 | S138-438-000 | 23201000001 | Filter | YB10A1 10A/250V | 1 |
| 4 | S138-431-000 | 22702000010 | Exhaust fan net | 4" | 4 |
| | S138-443-000 | 22702010025 | DC fan | XW-1238M12S DC12V 0.4A | 2 |

9.8 Decal

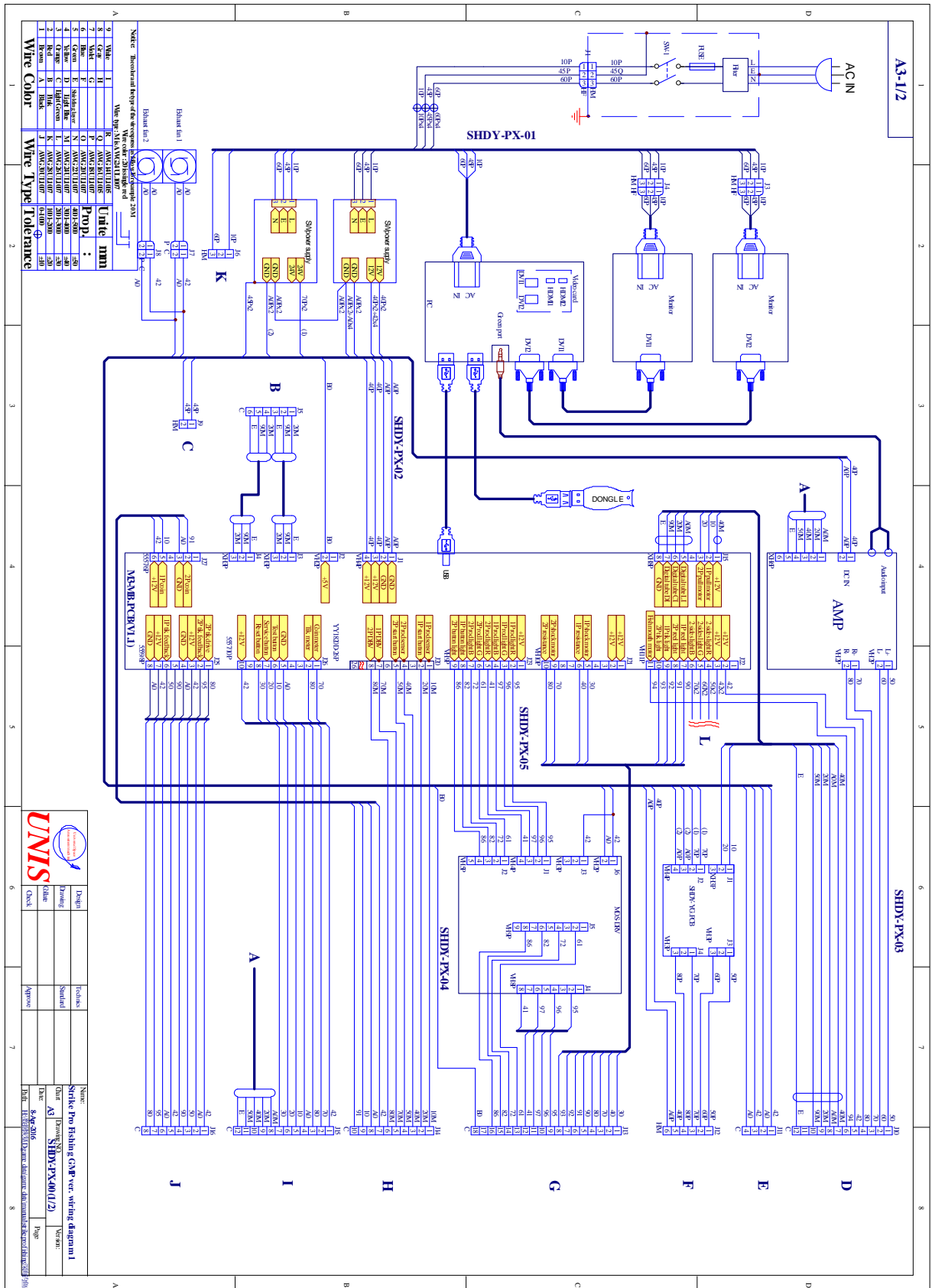


| No. | Part No. | Code | Name | Material | Qty |
|-----|--------------|-------------|---------------------------------|-----------------|-----|
| 1 | S138-705-000 | 20541504005 | Marquee L side decal | δ0.3PVC frosted | 1 |
| 2 | S138-701-000 | 20541504001 | Marquee vacuum foam | δ4 plexi. | 1 |
| | S138-702-000 | 20541504002 | Digital PCB cover board | δ5 plexi. | 1 |
| 3 | S138-713-000 | 20541504013 | Control panel side edge decal | δ0.3PVC frosted | 1 |
| 4 | S138-710-000 | 20541504010 | Control panel board decal | δ0.3PVC | 1 |
| | S138-707-000 | 20541504007 | Control panel cover plate decal | δ0.3PVC | 1 |
| 5 | S138-711-000 | 20541504011 | L side decal | δ0.3PVC frosted | 1 |
| | S138-723-000 | 20541504023 | L side front decal | δ0.3PVC frosted | 1 |
| 6 | S138-716-000 | 20541504016 | Control panel L side decal | δ0.3PVC frosted | 1 |
| 7 | S138-721-000 | 20541504021 | Base warning label | δ0.3PVC frosted | 1 |
| 8 | S138-731-000 | 25600000034 | Tickets label | PVC100u | 2 |
| 9 | S138-706-000 | 20541504006 | Control panel middle decal | δ0.3PVC frosted | 1 |
| 10 | S138-714-000 | 20541504014 | Control panel R side decal | δ0.3PVC frosted | 1 |
| 11 | S138-715-000 | 20541504015 | Blue button | δ0.3PVC frosted | 1 |
| | S138-720-000 | 20541504020 | Blue rod front decal | δ0.3PV | 1 |
| | S138-719-000 | 20541504019 | Blue rod back decal | δ0.3PVC frosted | 1 |
| 12 | S138-712-000 | 20541504012 | Orange button | δ0.3PVC frosted | 1 |
| | S138-718-000 | 20541504018 | Orange rod front decal | δ0.3PVC frosted | 1 |
| | S138-717-000 | 20541504017 | Orange rod back decal | δ0.3PVC frosted | 1 |
| 13 | S138-708-000 | 20541504008 | Rod bottom cover plexi. | δ0.3PVC frosted | 2 |
| 14 | S138-722-000 | 20541504022 | R side front decal | δ0.3PVC frosted | 1 |
| | S138-709-000 | 20541504009 | R side decal | δ0.3PVC frosted | 1 |
| 15 | S138-704-000 | 20541504004 | Marquee R side decal | δ0.3PVC frosted | 1 |
| 16 | S138-703-000 | 20541504003 | Marquee background | δ0.3PVC frosted | 1 |

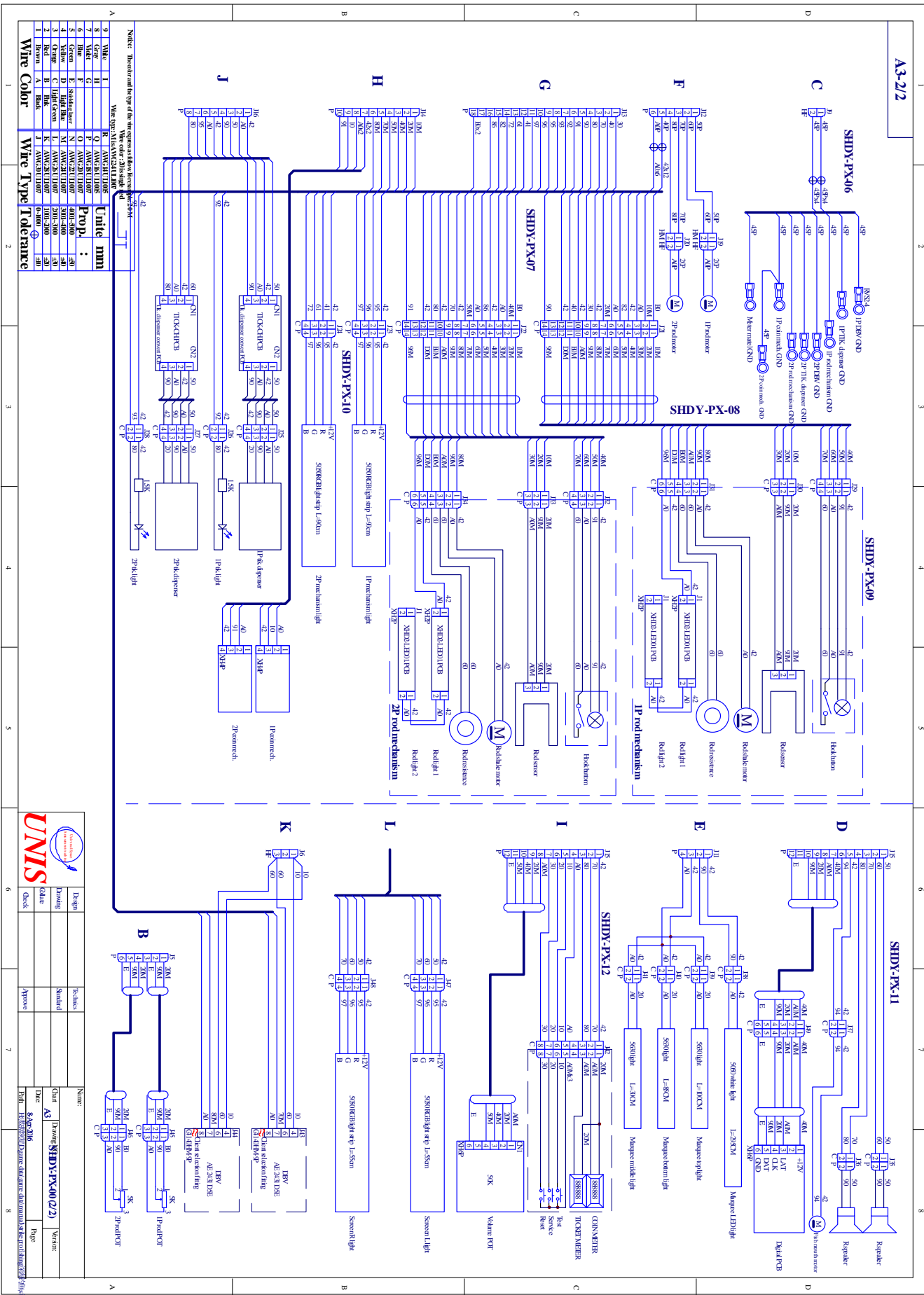


| No. | Part No. | Code | Name | Material | Qty |
|-----|--------------|-------------|-----------------------------|----------|-----|
| 1 | S138-708-000 | 20541504008 | Rod bottom cover plexi. | δ0.3PVC | 2 |
| 2 | S138-737-000 | 26601100283 | Flash disk label | PVC100u | 1 |
| 3 | S138-725-000 | 25600000101 | Meter label | PVC100u | 1 |
| 4 | S138-733-000 | 25600000037 | High voltage warning(large) | PVC100u | 1 |
| 5 | S138-729-000 | 25600000096 | Service label(small) | PVC100u | 1 |
| 6 | S138-726-000 | 25600000042 | Service label 1 | PVC100u | 1 |
| 7 | S138-727-000 | 25600000067 | Service notice label | PVC100u | 1 |
| 8 | S138-735-000 | 25600000036 | High voltage warning(small) | PVC100u | 4 |
| 9 | S138-729-000 | 25600000096 | Service label(small) | PVC100u | 1 |
| 10 | S138-732-000 | 25600000071 | New voltage 110V | PVC100u | 1 |
| 11 | S138-734-000 | 25600000016 | Power SW label A | PVC100u | 1 |
| 12 | S138-736-000 | 25600000077 | Fuse T10A/250V | PVC100u | 1 |
| 13 | S138-732-000 | 25600000071 | New voltage 110V | PVC100u | 1 |
| 14 | S138-730-000 | 25600000091 | New GND label | PVC100u | 1 |

Wiring Diagram



| Design | Technic | Name: |
|---------|----------|--|
| Drawn | Standard | Strike Pro Fishing CAB ver. wiring diagram 1 |
| Checked | Checked | Drawn: AS |
| Checked | Approved | Drawn: SHDY-PX-01/12 |
| | | Date: 8-Apr-2016 |
| | | Page: 1 |





| | | |
|---------|----------|-------------------------------------|
| Design | Revision | Name: |
| Drawing | Shaded | Drawn: SHDY-PX00(2/2) |
| Table | | Date: 8.30.2016 |
| Check | Approved | Rev: 1.01 (Rev. 01) Date: 8.30.2016 |
| | | Page: 2/2 |



Have Questions? Contact us!

www.universal-space.com

|  International Support Center |  USA Support Center |
|---|--|
| Tel: +1-905-477-2823 Fax: +1-905-477-2660 Email: service@universal-space.com (Contact: Clement Yau) | Tel: 972-241-4263 Fax: 214-919-4918 Email: tsnelling@unisusasupportcenter.com (Contact: Tim Snelling) |