

PIRATE'S HOOK



Be Sure
to Read this
Manual
Before Use

Operation Manual

UIS[®]
UNIVERSAL SPACE

www.universal-space.com

WE ARE HERE TO ASSIST
For parts and service



Have Questions? Contact us!

UNIS SERVICE CENTER

Tel: 972-241-4263

Email: service@unispartsandservice.com

CONTENT

IMPORTANT SAFETY INSTRUCTIONS.....	3
1. SPECIFICATIONS.....	5
2. PACKAGE CONTENTS.....	6
3. PART NAME.....	7
4. SET UP & INSTALLATION.....	8
5. HOW TO PLAY.....	11
6. GAME OPTIONS.....	12
7. TROUBLE SHOOTINGS.....	16
8. MAINTENANCE & INSPECTION.....	19
9. OVERALL CONSTRUCTION.....	20

Thank you for purchasing **Pirate's Hook**. We hope you enjoy the product.

This manual contains valuable information about how to operate and maintain your game machine properly and safely. It is intended for the owner and/or personnel in charge of product operation. Carefully read and understand the instructions.

If you need any help during installation and setup please utilize this manual and troubleshooting guide. If the product fails to function properly, *non-technical personnel should under no circumstance attempt to service the machine*. Contact your distributor or manufacturer for help.

Before use, please read **IMPORTANT SAFETY INSTRUCTIONS**.

IMPORTANT SAFETY INSTRUCTIONS

To ensure the safe usage of this product, carefully read and understand these instructions before operating your game.

Save these instructions for future reference.

Use this product only as described in this manual. Other uses not recommended may cause fire, electric shock or personal injury. Unplug the game from the outlet when not in use, when moving from one location to another, and before cleaning/servicing.

Explanations which require special attention are indicated by signs of warning. Depending on the potential hazardous degree, the terms: **NOTE**, **NOTICE**, and **WARNING** are used.

NOTE: A NOTE indicates useful hints or information about product usage.

NOTICE: A NOTICE indicates potential damage to product and how to avoid the problem.

WARNING: A WARNING indicates a potential for product damage or serious personal injury.

It is important to understand the meaning of the following HAZARD SIGNS before continuing:

High Voltage and Shock Hazard:

High voltage can cause electric shock.
Turn off/unplug power before servicing.



High Temperature Hazard:

This part may cause scalding.
Do not touch. Surface may be hot.



No Touching Hazard:

This part may be hot or can cause electric shock.
Do not touch.



Use the following safety guidelines to help ensure your own personal safety and to help protect your equipment and surrounding environment from potential damage.

 **This product is an indoor game machine. Do not install outdoors.**

Avoid installing in the following places to prevent fire, electric shock, injury and/or machine malfunctioning:

- Places subject to rain/moisture, or places subject to high humidity.
- Places subject to direct sunlight, or places subject to extremely hot or cold temperatures to ensure that it is used within the specified operating range.
- Places where inflammable gas may be present or in the vicinity of highly inflammable/volatile chemicals or items that can easily catch fire
- On unstable or sloped surfaces. The machine may topple or cause unforeseen accidents.
- Vicinity of fire exits, fire extinguishers etc that may block/prevent safety measures

IMPORTANT NOTE:

ALL REPAIRS MUST BE DONE TO ORIGINAL MANUFACTURER SPECIFICATIONS. FAILURE TO DO SO VOID ALL WARRANTIES AND OPERATOR ASSUMES ALL RISKS.

Note: The contents of this manual may be updated without notice.

1. SPECIFICATIONS

Rated power supply: AC110V 50/60Hz; AC220-240V 50/60Hz

Min. Power consumption: 210W


Max. Power consumption: 380W

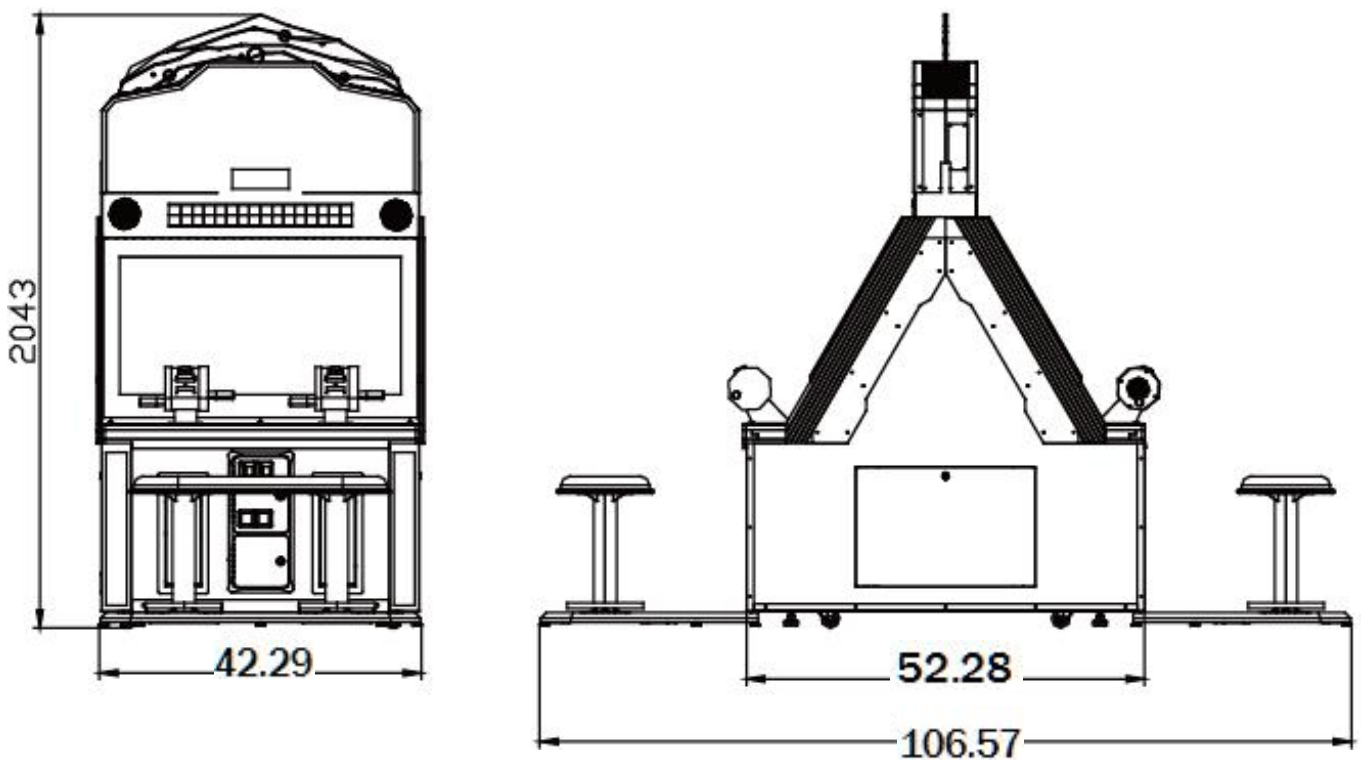
Dimension: W 106.57×D 42.29×H 80.43 in

Weight: Approximately 705.48lb

Part No: P113

Model No: C-363

 **NOTICE:** After turning off the game, please wait at least 1 minute before restarting again.








Note: Game parameters are subject to change without notice.

2. PACKAGE CONTENTS

Open the package and make sure all the items are included:

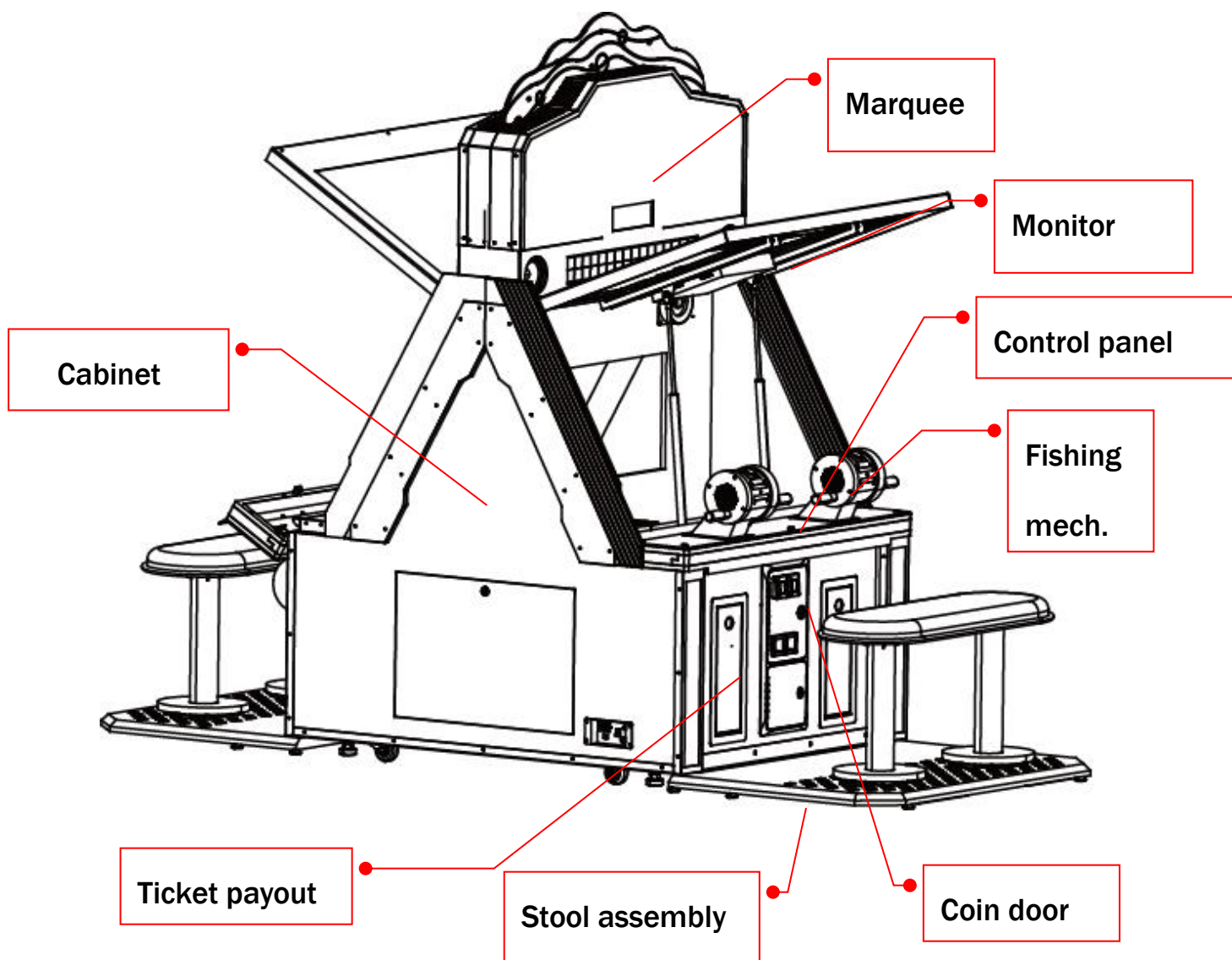
1. Following accessories

No.	Part No.	Code	Name	Qty	Picture
1	P113-451-000	25300171002	Key (171)	6	
2	P113-452-000	25300172002	Key (171B)	1	
3	P113-450-000	23301010020	Power cord	1	
4	P113-446-000	21901000013	Fuse (Φ5×20mm T10A)	1	
5	P113-740-000	41460837083	Manual (170829)	1	
6	P113-453-000	41300000004	Recovery stick	4G	

If any items are found to be missing, please contact your sales representative for help immediately.

NOTE: Part models are subject to change without notice.

3. PART NAME



4. SET UP & INSTALLATION

⚠ NOTICE

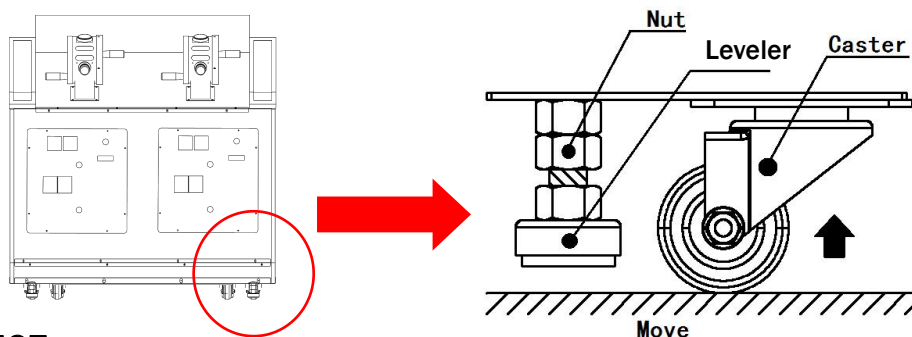
We do not recommend using power tools as they may cause damage.

⚠ **This product is an indoor game machine. Do not install outdoors.**

- Refer to IMPORTANT SAFETY INSTRUCTIONS (Pg. 3) for places to avoid.
- Place the unit on a dry level surface.
- Ventilation openings in the back of the unit must not be obstructed by objects or by wall.

4.1 Transporting the Game

If you need to move the game, adjust the levelers back to an “up” position.



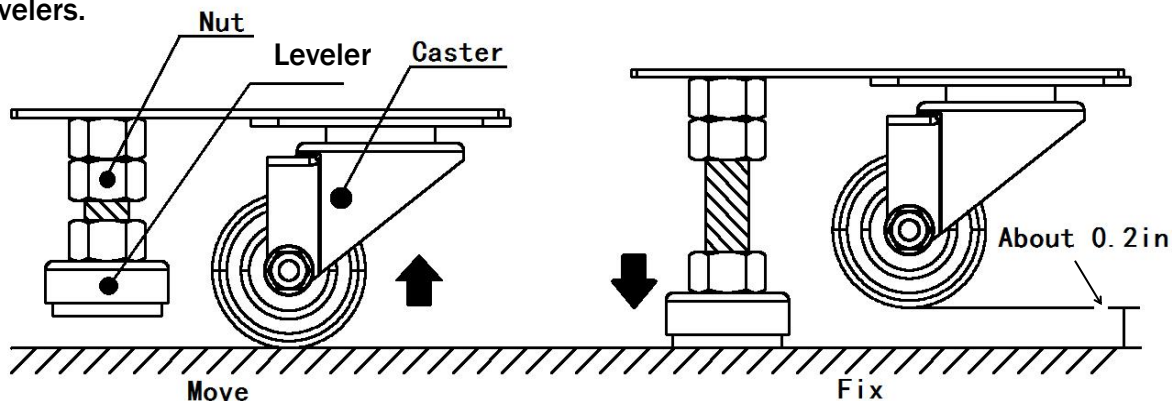
⚠ NOTICE

- Be careful not to damage the machine during transport.
- Always unplug the game before moving.
- Keep the machine in upright position during transport.
- For longer distance transport, package the game properly to prevent damages.

4.2 Level Adjustment

Install this game on a flat surface. If the game is installed on an unsuitable floor, it could cause game malfunction.

To secure the game, loosen the nut, utilize wrench to adjust the leveler down until it touches the floor, lifting the casters off the ground by 0.2 in. Repeat the same for all levelers.



⚠ NOTICE

Make sure the machine is level.

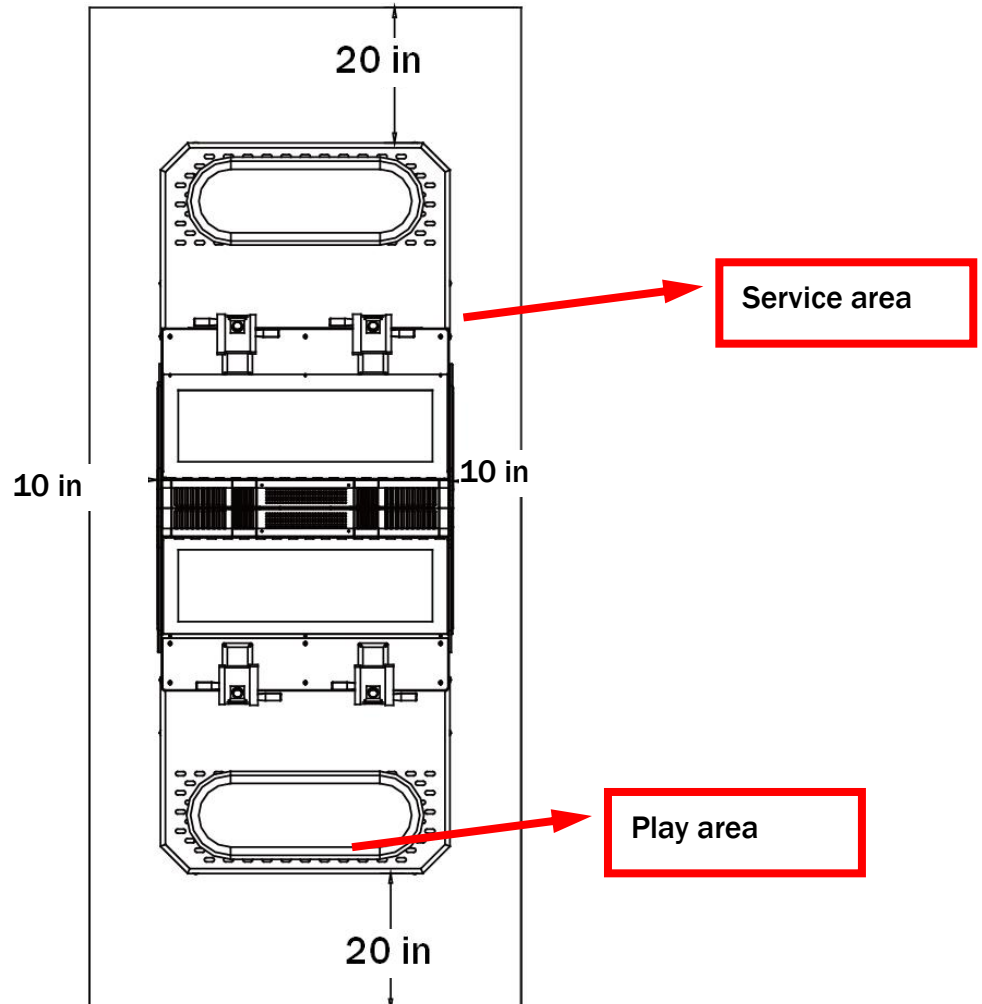
4.3 Play Zone

This machine requires space for playing and for maintenance as shown below.

Leave space around the game upon installation:

Play area: 20 in

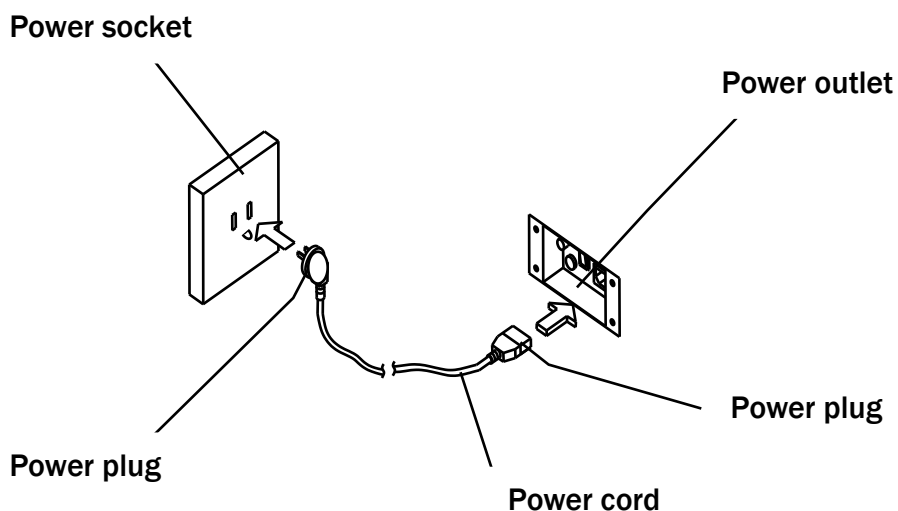
Service area:10in



4.4 Connecting Power

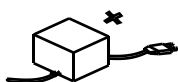
! WARNING: Check the voltage rating before you connect the equipment to an electrical outlet to ensure that the required voltage and frequency match the available power source. Please refer the label of the machine.

- Do not plug the equipment power cables into an electrical outlet if the power cable is damaged.
- Avoid overloading on one electrical outlet as it could generate heat and fire resulting from overload.
- Connect the grounding conductor to the earth terminal (GND):

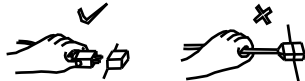


! WARNING

Ensure no heavy objects rest on the power cord. Check to make sure the game cabinet does not sit on the power cord as this could damage the cord and become hazardous.



To disconnect the game, grip the plug and pull it from the wall outlet. Never pull by the cord.



To prevent electric shock, do not touch the power plug if your hand is wet.



Ensure the power cord is not located where it can be stepped on or tripped over.




5. HOW TO PLAY

5.1 Game Interface



5.2 How To Play

The machine provides for 4 players at the same time.

1. Insert coin(s).
2. aim for your target, press the button  to lower the hook.
3. Rotate the handles to reel in the fish.
4. Catch as many fishes as possible within the time limit. Junk Items= No Tickets.
5. Catch the Lobster King to win the MEGA BONUS!

6. GAME OPTIONS

6.1 Testing Button Distribution:

Open the coin door and there is a meter panel.
Press Settings button to enter the setting menu.



Settings button

6.2 Main Menu Options:








Main Menu
Game Mode
Input Test
Output Test
Game Reset
Language
Date/Time Setting
Host configuration
Bookkeeping
Daily Record
Exit& Without Save
Exit& Save

6.2.1 Game mode

Name	Option	Description
Free Play	ON/OFF	Turn on/off the free play mode.
Ticket Out	ON/OFF	Turn on/off payout tickets.
Coins per Round	1-10	Coin needed to insert for one game.
Demo Music	ON/OFF	Turn on/off the demo music.
Save Coins	ON/OFF	Whether memorize inserted coins after power off.
Volume	0-10	0 is mute, 10 is max.
Fixed Ticket	0-100	Fixed ticket setting. "0" is fixed ticket off.
Lobster king appears every	1-15(seconds)	The frequency lobster appears
Ticket/Point	Ticket/Point	Award is given as ticket or points.
Average Ticket Out	8-100	Ticket payout setting. It is invalid when fixed ticket ON or point mode ON.
Target Tickets		Please refer to 6.2.1.1
Target Point Setting		Please refer to 6.2.1.2

Name	Option	Description
Score Board		Please refer to 6.2.1.3
Game Difficulty	1-4	1 is the easiest, 4 is the hardest.
Auto Play Game	5-20 seconds	Time for player to play before auto play
Game Duration	10,20,30,40,50,60,70,80,90 seconds	Play time setting
Resistance Setting		Please refer to 6.2.1.4
Fish Score Display	ON/OFF	Whether to display score on each fish
Ticket Owed Mode	Continue to play/call attendant	“call attendant”: game is stop until the game is reset. “Continue to play”: game is continue to play when ticket is owed.
Angler Bonus	1000	Tickets awarded in Angler Bonus
Angler Bonus Need Points	1100	Points needed to gain angler bonus
Comp bonus	OFF	Whether to combat with other players
Back		Back to the main menu

6.2.1.1 Target Tickets:

Target	Image	Ticket
SM fish		0-100 ticket
M fish		0-100 ticket
LG fish		0-200 ticket
Junk		0-10 ticket
Shark		0-500 ticket
Octopus		0-500 ticket
Lobster Mega Bonus		0-2000 ticket

Note: When Fixed Ticket is 0 and target is defined as Ticket, Lobster Mega Bonus can be manual adjusted. The rest of the targets tickets are adjusted automatically base on the play time, difficulty and average payout settings.

6.2.1.2 Target Point Setting:

Target	Ticket Adjustment Range
SM fish	0-100 point
M fish	0-100 point
LG fish	0-200 point
Junk	0-10 point
Target	Ticket Adjustment Range
Shark	0-500 point
Octopus	0-500 point
Lobster Mega Bonus	0-2000 point

Note: When Fixed Ticket is 0 and target is defined as Ticket, Lobster Mega Bonus can be manual adjusted. The rest of the targets tickets are adjusted automatically base on the play time, difficulty and average payout settings.

6.2.1.3 Score Board:

Point Range	Setting Range
0-4 PointGetTickets	1,2,3,4,5,6,7, 8,9,10,15,20, 25,30,40,50,6 0,70,80,90,10 0.
5-100 PointGetTickets	
101-200 PointGetTickets	
201-350 PointGetTickets	
351-500 PointGetTickets	
500-1000 PointGetTickets	
1001-2000 PointGetTickets	

Note: This item is available to adjust when Target is defined as Points. When Fixed Ticket is set to more than 0, this item is invalid.

6.2.1.4 Resistance Setting:

Target	Range
Small Fishes Resistance	0-7(default 0)
Middle Fishes Resistance	0-7(default 1)
Big Fishes Resistance	0-7(default 2)

Note: Targets in row 0,1,2,5 are considered as Small Fishes. Targets in row 3 and 4 are considered as Middle Fishes. Targets in row 6 are considered as Big fishes. Resistance is increased from 0 to 7.

6.2.2 Input Test

Input test		Output test	
Player1 Resistance	0-7	CoinMech 1	ON/OFF
Player2 Resistance	0-7	CoinMech 2	ON/OFF
Player3 Resistance	0-7	CoinMech 3	ON/OFF
Player4 Resistance	0-7	CoinMech 4	ON/OFF
Player1 vibration	ON/OFF	CoinMech 5	ON/OFF
Player2 vibration	ON/OFF	CoinMech 6	ON/OFF
Player3 vibration	ON/OFF	CoinMech 7	ON/OFF
Player4 vibration	ON/OFF	CoinMech 8	ON/OFF
Player1 out of ticket light	ON/OFF	Player1 Reel In	ON/OFF
Player2 out of ticket light	ON/OFF	Player2 Reel In	ON/OFF
Player3 out of ticket light	ON/OFF	Player3 Reel In	ON/OFF
Player4 out of ticket light	ON/OFF	Player4 Reel In	ON/OFF
Player1 lower hook light	ON/OFF	Player1 Lower Hook	ON/OFF
Player2 lower hook light	ON/OFF	Player2 Lower Hook	ON/OFF
Player3 lower hook light	ON/OFF	Player3 Lower Hook	ON/OFF
Player4 lower hook light	ON/OFF	Player4 Lower Hook	ON/OFF
Player1 Ticket Out	ON/OFF	Multi Face Off 1	ON/OFF
Player2 Ticket Out	ON/OFF	Multi Face Off 2	ON/OFF
Player3 Ticket Out	ON/OFF	Multi Face Off 3	ON/OFF
Player4 Ticket Out	ON/OFF	Multi Face Off 4	ON/OFF
Player1 Multi Face light	ON/OFF	Free Play 1, 2	ON/OFF
Player2 Multi Face light	ON/OFF	Free Play 3, 4	ON/OFF
Player3 Multi Face light	ON/OFF	Repair	ON/OFF
Player4 Multi Face light	ON/OFF	BACK	
Lattice Display	ON/OFF		
Digital Display	0000-9999		
Mega bonus light	ON/OFF		
BACK			

6.2.4 Game Reset

Game Reset
Reset Game Setting
Delete All Record
Clear Tickets
Back

6.2.5 Date/Time setting

aDte/Time Setting	
Year	2012
Month	2
Date	13
Hour(24)	13
Minute	25
Back & apply	
Back	

6.2.6 Bookkeeping

Bookkeeping			
Player	coin out	tickets in	payout
1	1	5	5.00
2	2	10	5.00
		Reset	
		back	

6.2.7 Daily Record:

Daily Record					
Date	Weekday	Run Time	Coins	Tickets	Payout
2012-02-04	SAT	00:01	3	15	5.00
		Reset			

7. TROUBLE SHOOTINGS

7.1 Common Problem

Please confirm whether every connector connected tightly.

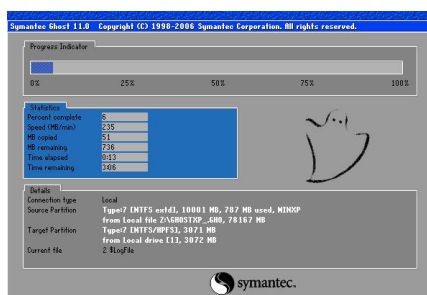
Symptom	Possible Cause	Recommended action
Game will not start	Frame assembly connector is loose.	Plug the connector tightly.
	Frame assembly fault	Contact with UNIS Service.
Power cutting	Circuit protector make power SW in cutting state	Turn on power SW again. If appeared again and again, machine has anomaly. Please contact with UNIS Service.
Game will not coin up	Coin mech. fault or sample coin not installed.	Change coin mech. or sample coin.
	Coin mech. signal cable loose.	Check coin mech. signal cable loose.
	IO control board no signal.	Change IO board.
No ticket dispensing	Out of ticket.	Add ticket and press reset button
	Ticket jamming.	Remove the jammed tickets and press reset button.
	Wrong connection.	Check the connections.
No sound	Volume set too low.	Raise the volume.
	Connector loose.	Plug in connector tightly.
	PCB fault.	Change PCB.
	Speaker fault.	Change speaker.
	POT installation error.	Install POT correctly.
	POT fault.	Change POT.
	Audio cable problem.	Reconnect the audio cable or change it.
	PC crash.	Restart or system recovery.
Display black screen	Driver problem	Restart the audio driver.
	Check connectors.	Plug in connector tightly
	Display fault.	Vitalize another source such as a PC to verify if the display is operational.
Display blue screen	RAM is loose.	Pull it out and insert it again or change main board or RAM.
	PC power cord is loose	Check PC power cord whether is loose.
	VGA signal cable is loose.	Check VGA cable
	PC video card is loose.	Reseat video card.
	PC into protection	Open front cover, if power on, light flash all the time. Press power button 30s, then restart.
	"0X000000A" code appears. Conflict between computer drive and software.	Uninstall or disable the new drivers or software.

Symptom	Possible Cause	Recommended action
Display blue screen when playing	Software problem.	Update the driver of the video card or reinstall the system.
	Hardware problem.	Check the hardware one by one.
Playing normal, but appear system halted	Video card is loose or poor contact	Plug video card again.
	PC crash	Restart or system recovery
Display abnormal color	Bad connection between the video card and the display video cable.	Reconnect the video card and the display video cable.
	Video card driver problem.	Restart the video driver.
Display can not show the whole desktop.	Screen resolution problem.	For WIN 7, right-click in the blank space at the desktop —Click “screen resolution” —Click “change the appearance of the display” to adjust the screen resolution.
Bouncing motion of the display	Screen resolution problem.	—Click “screen resolution” —Click “change the appearance of the display” to adjust the screen refresh rate.
No response in BIOS	Battery is loose.	Reinstall the battery of the main board and restart the game or change the main board.
	Main board fault.	
Fail to save the BIOS setting	Battery fault.	Change the battery of the main board.
PC restart or crash repeatedly	Poor heat dissipation	Add silicon on the cooling fin.
		Check or change the CPU fan if needed.
	RAM or main board fault.	Change the RAM or change the main board.
	Power source problem.	Change the power source.
Fail to install the driver	Driver fault.	Download “Driver Genius” or something similar and try again.
CPU fan off and on.	Main board fault.	Change the main board.
Slow computer start-up times after reinstalling the system.	Hard disk problem.	Please let the PC automatically run the software, or change the hard disk.

Note: After replacing component from pc (except for RAM), and replacing monitor, the game should be recovered again with the recovery stick attached to the machine.

7.2 System Recovery Operation **(NOTE: Do not disconnect power during this process.)**

1. Turn off the game. Remove recovery stick from the machine. (Note: This process may take up to 60 minutes) Insert the recovery stick into the port at the back of the computer.
2. Restart PC to enter the system recovery screen as shown.



3. The game will automatically start recovery.
4. Once system recovery is partially finished (as shown below), and the ICON appears, remove the recovery stick from the computer. The game will continue the install process.

OK to remove the recovery stick.



5. Assure that the recovery stick has been properly secured for future use.



WARNING: The recovery stick should only be used to fix software errors. Using it for other purposes may cause unexpected results and damages.

8. MAINTENANCE & INSPECTION

8.1 Safety Check

Check the points listed before operating the machine. These checks are necessary for safe machine operation:

1. Test game before operation each day.
2. Conduct monthly routine checks of game components ensure good working condition
3. Check the machine regularly for dust and clean when necessary.

Note: Parts and components require preventative maintenance to maintain proper operation.

8.2 Handling Precautions

When installing or inspecting the machine, be very careful of the following points and pay attention to ensure that the player can enjoy the game safely.

Non-compliance with the following points or inappropriate handling running counter to the cautionary matters herein stated can cause personal injury or damage to the machine

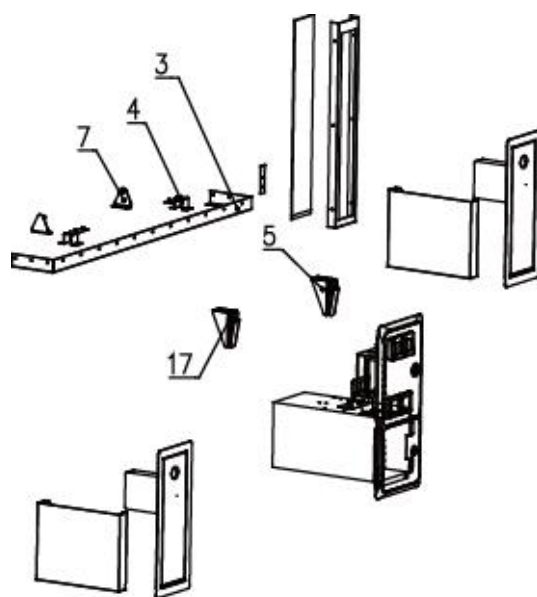
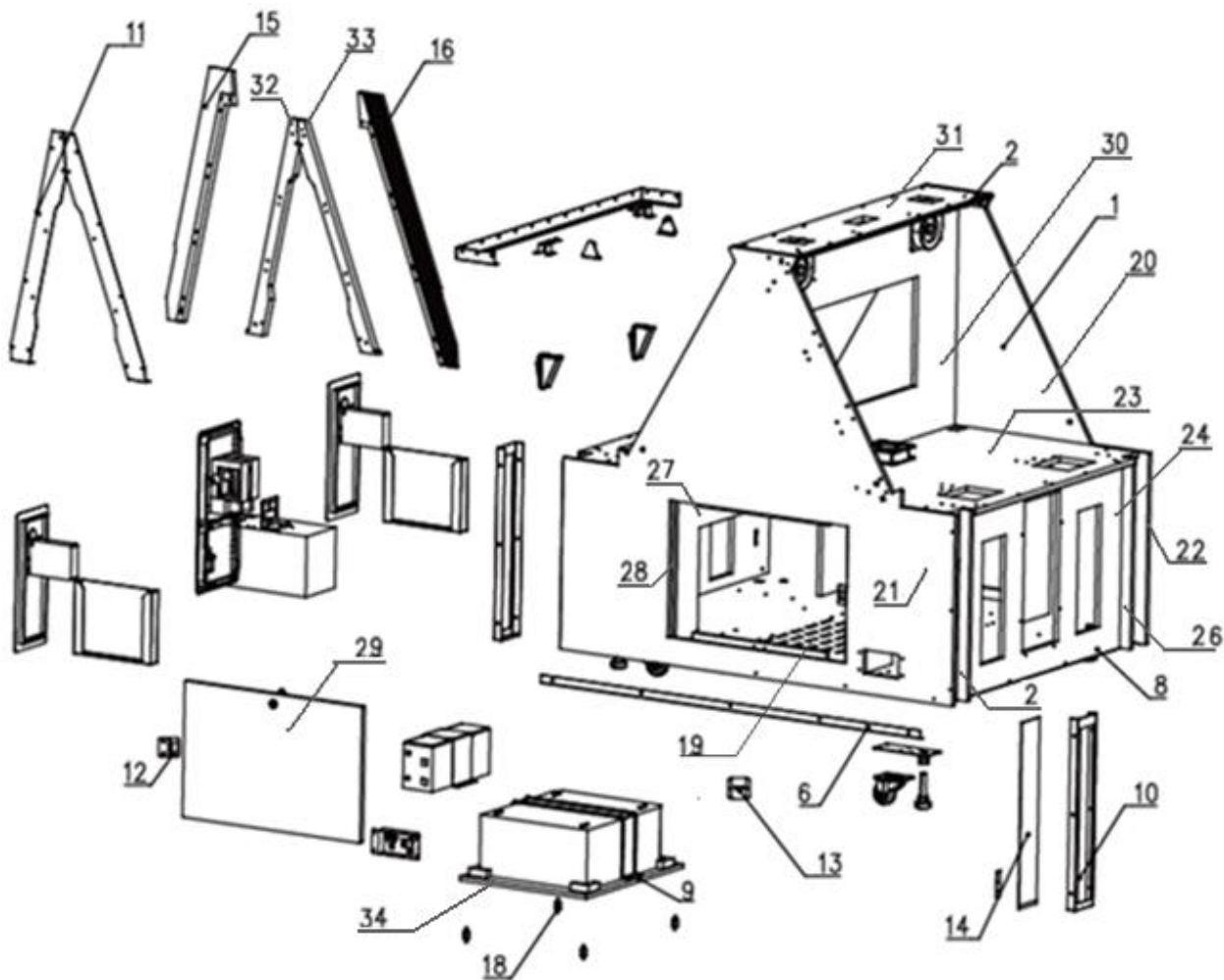


WARNING

- Before servicing the machine, be sure to turn power off. Servicing without turning the power off can cause electric shock or short circuit.
- To avoid electric shock or short circuit, do not plug then unplug the power quickly
- Do not expose power cords and earth wires, these are susceptible to damage.
- Damaged cords and wires can cause electric shock or short circuit and should be replaced immediately.
- When or after installing the product, avoid pulling the power cord to prevent unnecessary wear and tear. Use the power button to disconnect power.
- In case the power cord is damaged, ask for replacement through where the product was purchased from or replace locally. Continued usage of damaged cord can cause fire, electric shock or leakage.
- Perform grounding appropriately. Inappropriate grounding can cause electric shock.
- Use fuses that meet specified rating. Fuses exceeding can cause an electric shock.
- Should a problem occur, turn off the power immediately and stop operating the machine. Unplug the power cord of the service outlet. Operating the machine without correcting the problem may cause a fire or injuries.
- Insert the power plug securely into the outlet. Poor contact may cause overheating, resulting in fire or burns.
- To ensure the warning labels attached on the machine are visible and legible, install the machine in a well-lit location, and keep the labels clean at all times. Make sure the labels are not hidden behind other game machines.

9. OVERALL CONSTRUCTION

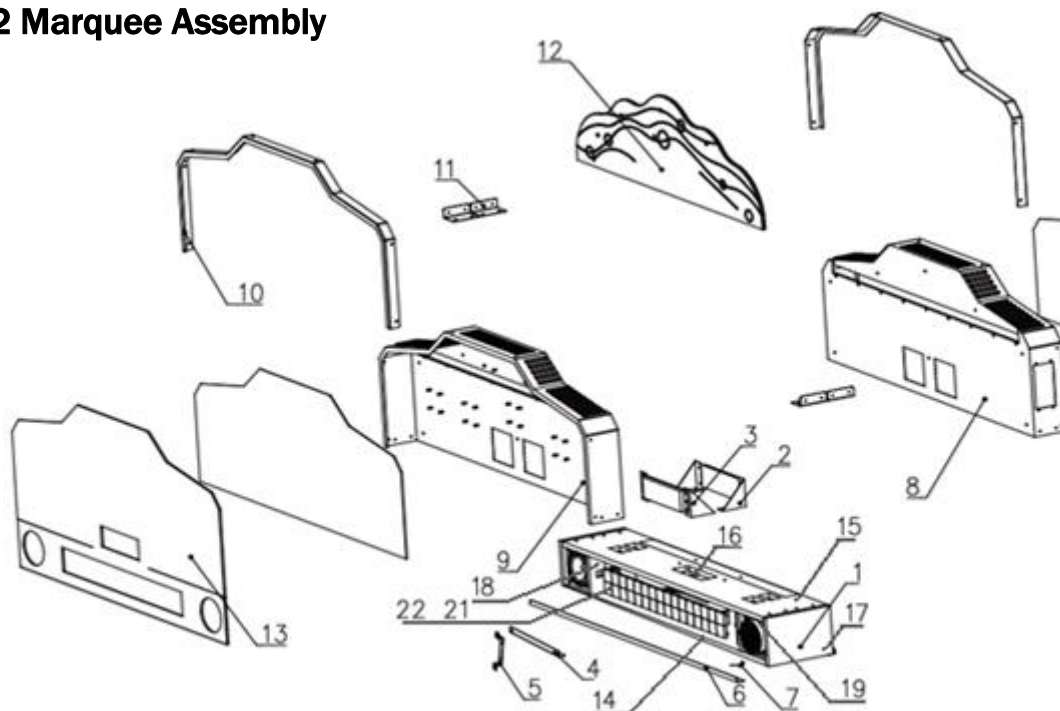
9.1 Wooden Part Assembly



No.	Part No.	Draw No.	Name	Material	Qty
1	P113-001-000	29941122S001A	Wooden frame	Assembly	1
2	P113-103-000	20241122S021	Hinge plate	Metal plateδ1.5	2
3	P113-104-000	20241122S020	Light bar mounted plate	Metal plateδ0.8	2
4	P113-105-000	20241122S019	Button light mounted plate	Metal plateδ1.0	4
5	P113-106-000	20241122S001	Case lock assembly plate	Q235 δ1.5 black	4
6	P113-107-000	20241122S002	Base metal strip	Q235 δ1.2 blue	2
7	P113-108-000	20241122S003	Air spring mounted plate 1	Metal plateδ2.0	4
8	P113-109-000	20241122S004	Base reinforced strip	Q235 δ1.2 blue	2
9	P113-111-001	20241122S006A	Power connecter fixed plate	Metal plateδ1.0	1
10	P113-112-000	20241122S007	Side marquee plate	Q235 δ1.5 blue	4
11	P113-113-000	20241122S008	Side marquee cover plate	Q235 δ1.0 blue	4
12	P113-114-000	20241122S009	Limit SW base	Metal plateδ1.5	2
13	P113-115-000	20241122S010	Dongle bracket	Metal plateδ1.2	1
14	P113-601-000	20641122S001	Side marquee plastic	Transparent plastic δ3.0 white	4
15	P113-602-000	29941122S015	L side plastic	Transparent plastic	2
16	P113-603-000	29941122S016	R side plastic	Transparent plastic	2
17	P113-408-000	25102000001	Stainless steel case lock	C124	4
18	P113-101-000	26000012000	Anti-vibration screw A	zinc	4
19	P113-903-000	20341122S001	Bottom board	plywood	1
20	P113-904-000	20341122S002	Upper board	MDF blue JQ11038	2
21	P113-905-000	20341122S003	L lower board	MDF blue JQ11038	1
22	P113-906-000	20341122S004	R lower board	MDF blue JQ11038	1
23	P113-907-000	20341122S005	Mid board	MDF blue JQ11038	1
24	P113-908-000	20341122S006	Front board	MDF yellow JQ11067	2
25	P113-909-000	20341122S007	Sided L marquee supported board	MDF blue JQ11038	2
26	P113-910-000	20341122S008	Sided R marquee supported board	MDF blue JQ11038	2
27	P113-911-000	20341122S009	Frame supported bracket	MDF blue JQ11038	2
28	P113-912-000	20341122S010	door frame	MDF blue JQ11038	6
29	P113-913-000	20341122S011	Sided door board	MDF blue JQ11038	2
30	P113-914-000	20341122S012	Mid partition	MDF blue JQ11038	1
31	P113-915-000	20341122S013	top board	MDF blue JQ11038	1
32	P113-916-000	20341122S014	Sided board L supported board	MDF blue JQ11038	2

33	P113-917-000	20341122S015	Sided board R supported board	MDF blue JQ11038	2
34	P113-918-000	20341122S016	computer partition	MDF blue JQ11038	1

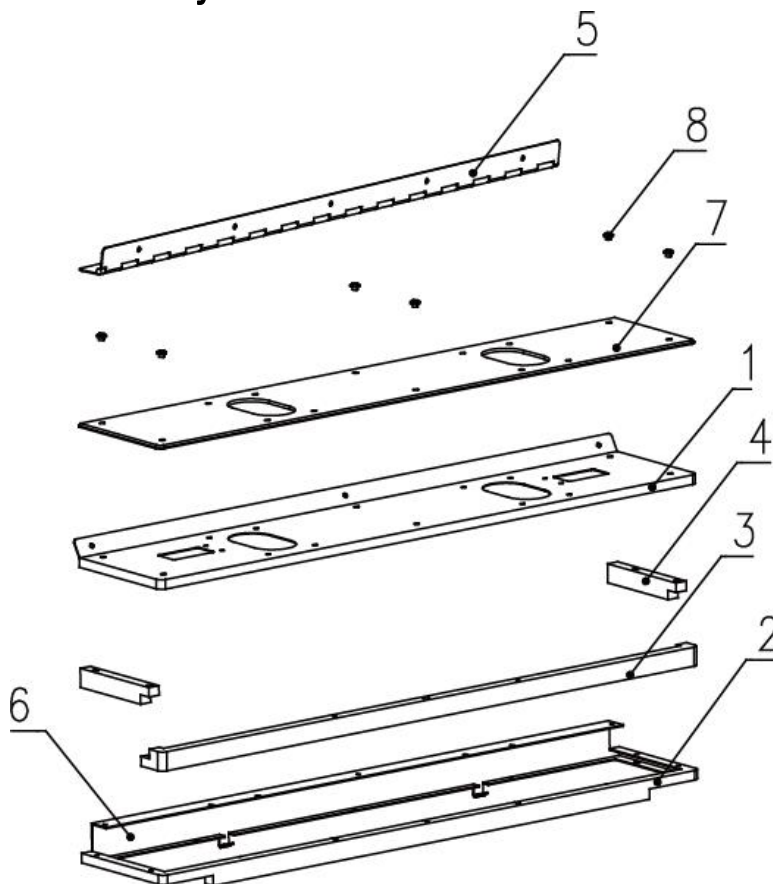
9.2 Marquee Assembly



No.	Part No.	Draw No.	Name	Material	Qty
1	P113-002-000	29941122S002A	Marquee frame	Assembly	1
2	P113-120-000	20241122S018	Display board fixed plate1	Metal plateδ1.0	2
3	P113-121-000	20241122S013	Display board fixed plate2	Metal plateδ1.0	2
4	P113-122-000	20241122S014	Dot matrix fixed plate	Metal plateδ1.0	8
5	P113-123-000	20241122S015	Dot matrix mounted plate	Metal plateδ1.0	8
6	P113-124-000	20241122S016	Marquee metal strip	Q235 δ1.0 blue	2
7	P113-125-000	20241122S017	Metal strip fixed plate	Metal plateδ1.0	6
8	P113-126-000	20241122S022	Marquee 1	Q235 δ1.0 blue	1
9	P113-127-000	20241122S023	Marquee 2	Q235 δ1.0 blue	1
10	P113-128-000	20241122S024	Marquee edge strip	Q235 δ1.0 blue	2
11	P113-129-000	20241122S025	Marquee mounted plate	Metal plate δ1.5	4
12	P113-605-000	20641122S005	Marquee plastic	Transparent plastic	1
13	P113-701-000	20541122S001	Marquee decal	Plastic silk screen	1
14	P113-919-000	20341122S017	marquee bottom board	MDF blue JQ11038	1
15	P113-920-000	20341122S018	marquee top board	MDF blue JQ11038	1
16	P113-921-000	20341122S019	marquee mid plate	MDF blue JQ11038	1
17	P113-922-000	20341122S020	marquee sided board	MDF blue JQ11038	2
18	P113-923-000	20341122S021	speaker plate	MDF blue JQ11038	4

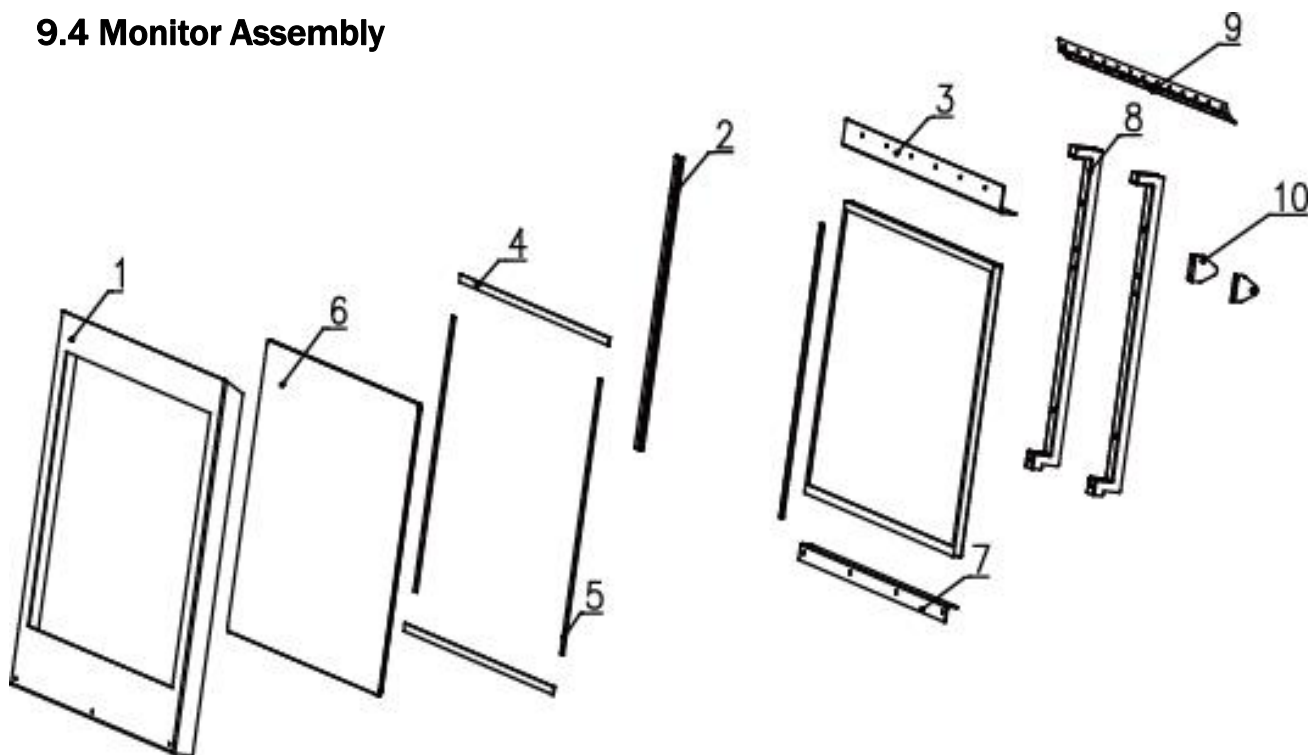
19	P113-924-000	20341122S022	speaker front board	MDF	4
20	P113-925-000	20341122S023	Wind tunnel partition 1	MDF blue JQ11038	4
21	P113-926-000	20341122S024	Wind tunnel partition 2	MDF blue JQ11038	4

9.3 Control Panel Assembly



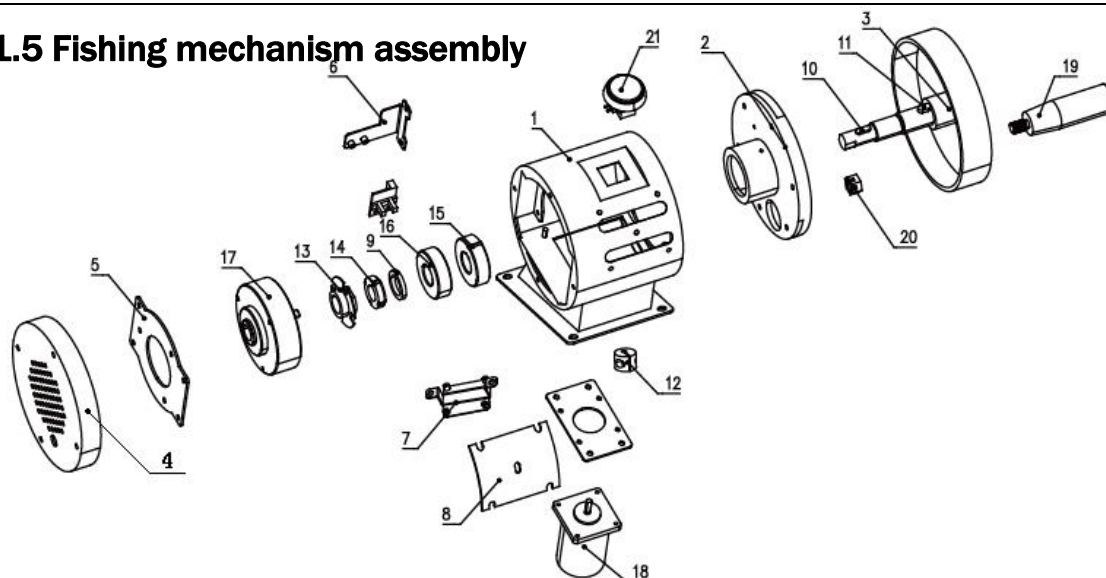
No.	Part No.	Draw No.	Name	material	Qty
1	P113-130-000	20241122S026	Control panel upper board	Q235 δ1.5 blue	1
2	P113-131-000	20241122S027	Control panel lower board	Q235 δ1.5 blue	1
3	P113-606-000	20641122S006	Control panel plastic 1	Transparent white	1
4	P113-607-000	20641122S007	Control panel plastic 2	Transparent white	2
5	P113-132-000	20241122S028	Control panel hinge	Stainless steelδ1.2	1
6	P113-133-000	20241122S029	Locked board	Metal plateδ2.0	2
7	P113-702-000	20541122S002	Control panel 1	Transparent plastic 1068×213×6 silk screen	1
8	P113-102-000	26000040000	5mm screw pad	chromium	6

9.4 Monitor Assembly



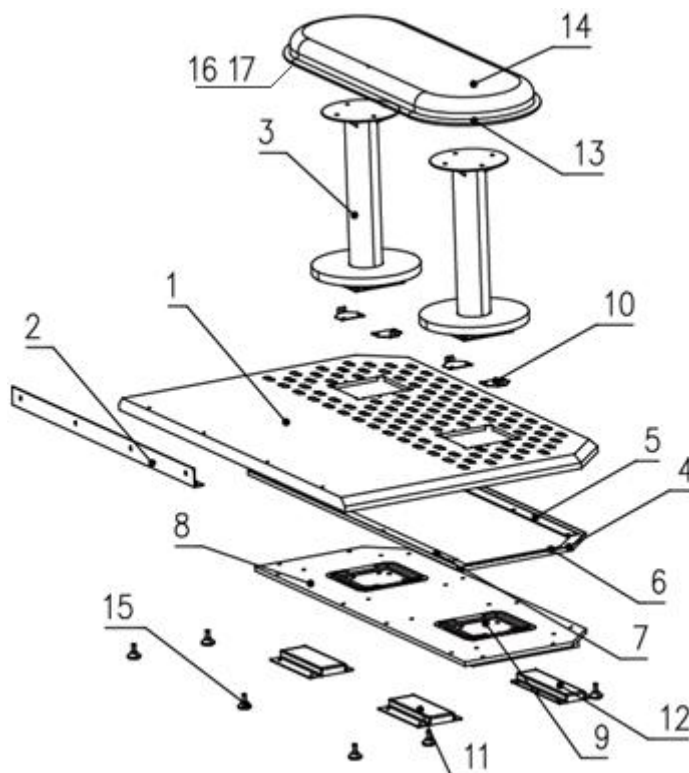
No.	Part No.	Draw No.	Name	Material	Qty
1	P113-134-000	20241122S030	Monitor front plate	Q235 δ1.5 blue	1
2	P113-135-000	20241122S031	Monitor side fixed plate	Metal plate δ1.2	2
	P113-180-000	20241122S071	Monitor side fixed plate pad	Foam δ2 black	4
3	P113-136-000	20241122S032	Monitor upper fixed plate	Metal plate δ1.5	1
4	P113-608-000	20641122S008	Monitor pad 1	Foam δ2 black	2
5	P113-609-000	20641122S009	Monitor pad 2	Foam δ2 black	2
6	P113-401-000	20641122S010	Monitor glass	Tempered glass δ6	1
7	P113-137-000	20241122S033	Monitor lower fixed plate	Metal plate δ1.5	1
8	P113-138-000	20241122S034	Monitor main fixed board	Metal plate δ2	2
9	P113-139-000	20241122S035	Monitor hinge	Stainless steel δ1.2	1
10	P113-108-000	20241122S003	Air spring fixed plate 1	Metal plate δ2.0	2

9.1.5 Fishing mechanism assembly



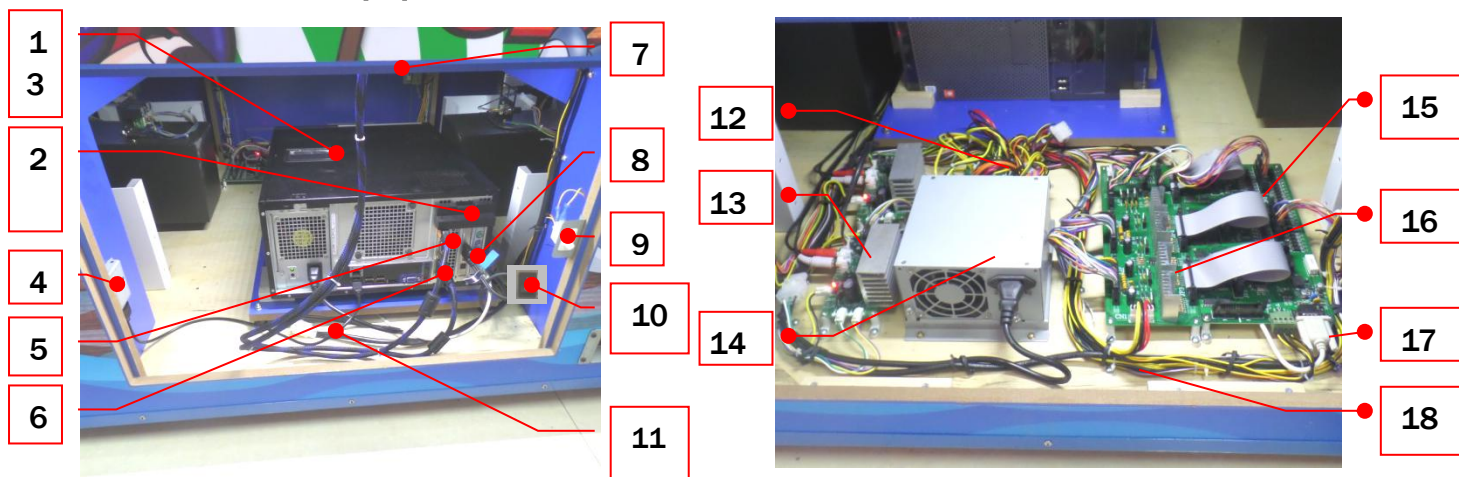
No.	Part No.	Draw No.	Name	Material	Qty
1	P113-140-000	20241122S036	Fishing mech. frame	Q235 δ1.5 yellow	2
2	P113-143-000	20241122S039	Bearing seat	Aluminum	2
3	P113-144-000	20241122S040	Wheel 1	Stainless steel(201)	1
	P113-144-001	20241122S041	Wheel 2	Stainless steel(201)	1
	P113-144-002	20241122S042	Wheel 3	Stainless steel(201)	1
	P113-144-003	20241122S043	Wheel 4	Stainless steel(201)	1
4	P113-148-000	20241122S044	R cover 1	Q235 δ2.0 blue	1
	P113-148-001	20241122S045	R cover 2	Q235 δ2.0 red	1
	P113-148-002	20241122S046	R cover 3	Q235 δ2.0 green	1
	P113-148-003	20241122S047	R cover 4	Q235 δ2.0 orange	1
5	P113-152-000	20241122S048	Clutch seat	Metal plate δ2.0	2
6	P113-153-000	20241122S049	Infrared socket	Metal plate δ1.2	2
7	P113-154-000	20241122S050	Light bar mounted plate	Metal plate δ1.2	4
8	P113-610-001	20641122S011A	Shaded plastic	acrylic δ2.0 white	4
9	P113-160-000	20241122016	washer	Q235	2
10	P113-161-000	20241122034	Key 1	Q235	2
11	P113-162-000	20241122035	Key 2	Q235	2
12	P113-163-000	20241122037	Eccentric wheel	Copper	2
13	P113-164-000	20241122038	Infrared sensor	Q235	2
14	P113-178-000	20102008003	Round nut	Q235 M18×1.5	2
15	P113-403-000	20106150003	One-way bearing	CSK20	2
16	P113-402-000	20106000127	Ball bearing	6204-2Z	2
17	P113-406-000	23413000002	Magnetic powder brake	CZK-0.3 3N	2
18	P113-405-000	23404000030	DC motor	45ZY12-15 DC12V 15W 3000RPM	2
19	P113-159-000	20641122005	Grabbed handle		2
20	P113-179-000	20102030001	Hexagon locknut	Q235 M10 white zinc	2
21	P113-404-000	22402000201	Lower-hook button	57-1820-02 white	2

9.6 Stool Assembly



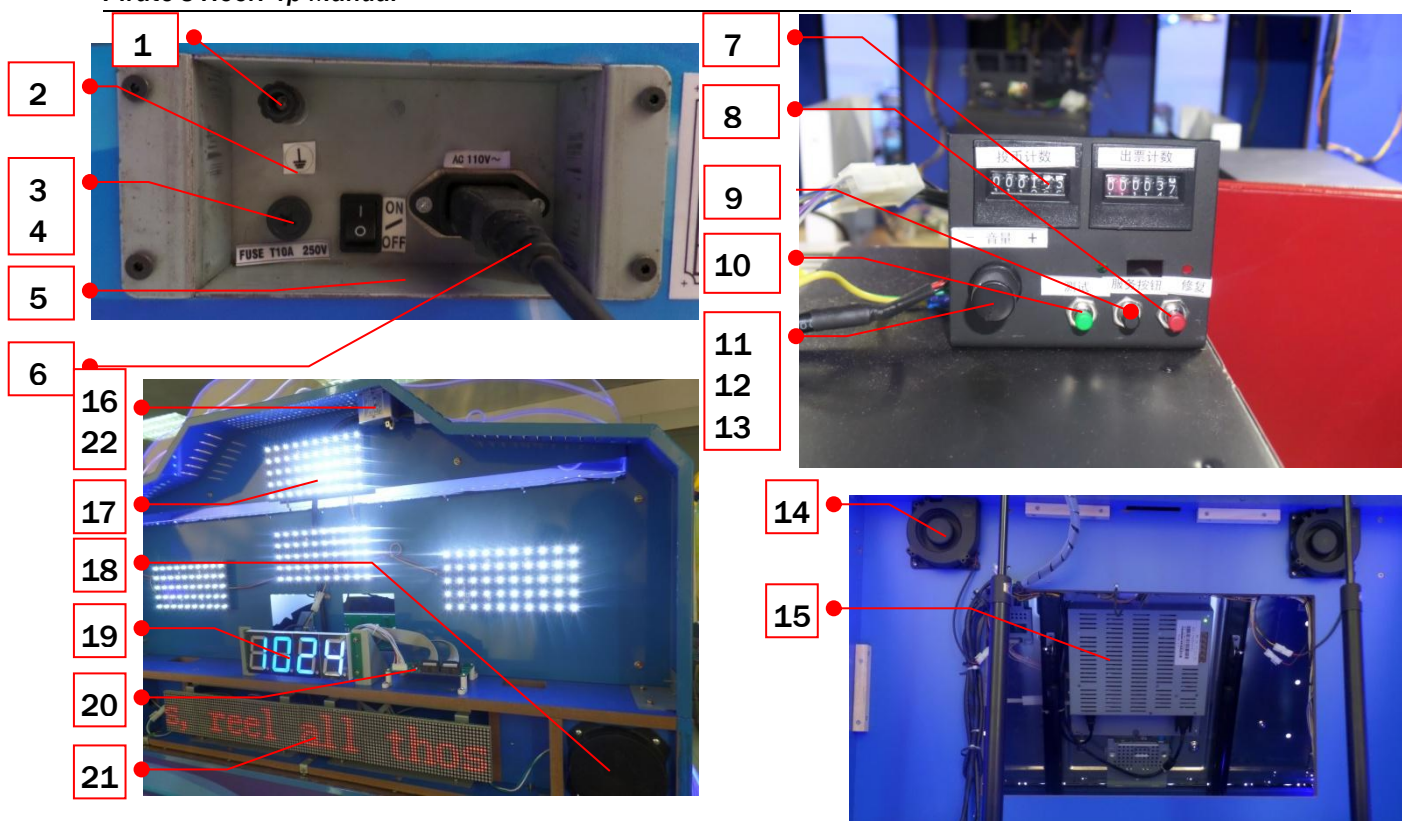
No.	Part No.	Draw No.	Name	Material	Qty
1	P113-158-000	20241122S057	Stool base	Welding black	1
2	P113-157-000	20241122S056	Stool connected plate	Q235 δ2 black	1
3	P113-156-000	20241122S052	Stool rod	201 stainless steel	2
4	P113-149-000	20241122S058	Strip light cover plate	Q235 δ1	1
5	P113-150-000	20241122S059	Pad 1	Q235 δ2	1
6	P113-151-000	20241122S060	Pad 2	Q235 δ2	2
7	P113-152-000	20241122S061	Pad 3	Q235 δ2	1
8	P113-614-000	20641122S012	Shaded plastic	Transparent plastic δ10silk screen	1
9	P113-153-000	20241122S062	Stool rod fixed plate	Q235 δ2black	2
10	P113-154-000	20241122S063	Stool cover fixed plate	Metal plate δ1.5	4
11	P113-155-000	20241122S064	Connecting plate 1	Q235 δ2 black	2
12	P113-156-000	20241122S065	Connecting plate 2	Q235 δ2 black	2
13	P113-157-000	20241122S066	Stool surface ring	201 stainless steel	1
14	P113-003-000	20641122S013	Stool seat	Foam assembly	1
15	P113-412-000	25900022001	Adjustable leveller	M8×15 white	15
16	P113-901-000	20311301043	Stool mounted board	plywood	2
17	P113-902-000	20311301044	Stool board	plywood	2

9.7 Electrical Equipment Part:



No.	Part No.	Draw No.	Name	Material	Qty
1	P113-454-003	21102000051B	Computer	A4CPUA4-6300	1
2	P113-414-000	20741122S003	Sound card	1723, connector PCI Express x1	1
3	P113-456-000	23303030002	Serial wire	35cm	1
4	P113-419-001	20841122007	Dongle	Dongle for pirate' s hook	1
5	P113-437-000	23307010001	Video cable 1	(3.0M)	1
6	P113-436-001	23307020001C	Video cable 2	DVI-DVI(3m)	1
7	P113-420-001	22003080026	5630 light	GT3N-W5630-LC20cm	2
8	P113-439-000	23305000003	Stereo cable	3.5 cable 1.8M	2
9	P113-421-000	22601010003	Gate controlled SW	SB175	2
10	P113-448-000	22601000042	Big rocket switch	R220-1-C5N-BB/NW	1
11	P113-438-000	23304010030	Cable	A type 0.6m,bracket attached	1
12	P113-812-000	29741315001	Power box port pcb	BTX3039-CH.PCB(V1.1)	1
13	P113-803-000	22803000047	20-A AMP board	GC-2.0-A(updated)	2
14	P113-460-000	21602000103	Power supply	MW S320-12(12V/25A)UL	1
	P113-370-001	20241122S070B	Power supply fixed plate		1
15	P113-801-000	20741122S101	IO board	Pirate's hook's IO board	1
16	P113-805-000	29741122S002	IO extender board	XHD2-CH.PCB(V1.1)	1
17	P113-423-000	23303020002	Serial line	DB9F-DB9F(1M) Cross-Over	1
18	P113-449-000	23309000125	Whole game cable	Pirate's hook's sleeve wire	1

Pirate's Hook 4p Manual



No.	Part No.	Draw No.	Name	Material	Qty
1	P113-447-000	21412000001	Terminal	10A/15A/250V black	1
2	P113-445-000	22601000005	Small rocket SW	T125/55	1
3	P113-444-000	21902000006	Fuse socket	R3-11 110V/250V/10A	1
4	P113-446-000	21901000013	Fuse	Φ5×20mmT10A 250VAC	3
5	P113-442-000	23201000001	Filter	YB10A1 10A/250V	1
6	P113-441-000	23301018002	Power cord	3x18AWG 0.5M UL	4
7	P113-429-000	23000000006	Counter	C-012 12VDC 18CPS	2
8	P113-433-000	22402010002	Test button	PB:11C02R(red)	2
9	P113-432-000	22402050001	Service button	PB:11C02R(black)	2
10	P113-434-000	22402030002	Reset button	PB:11C02R(green)	1
11	P113-430-000	22501000017	POT	RB1K duplex	2
12	P113-816-000	21709000002	POT board	VR.PCB	2
13	P113-431-000	22403000001	POT knob	black	2
14	P113-427-000	23401000022	DC12V blower	XW1232H12B 1.0A	4
15	P113-417-001	21201043003	Monitor	DV430FHM-NN1	2
16	P113-443-000	23201000003	filter	CW2B-6A-T(004) UL	1
17	P113-807-000	29740917007	Marquee LED board	XMJZ-LED01.PCB(V1.0) white	8
18	P113-428-000	22801000005	Speaker	4 inches 4 Ω 15W	4
19	P113-804-000	29741122003	BONUS LED	PGLY-LED23B4.PCB blue	2
20	P113-802-000	20741122S103	Dot matrix drive board	Pirate's hook's	1
21	P113-814-002	50801000012	Dot matrix board	BT-P4.75R-304X76MM-ZJ	4
22	P113-445-000	22601000005	Small rocket SW	T125/55	1

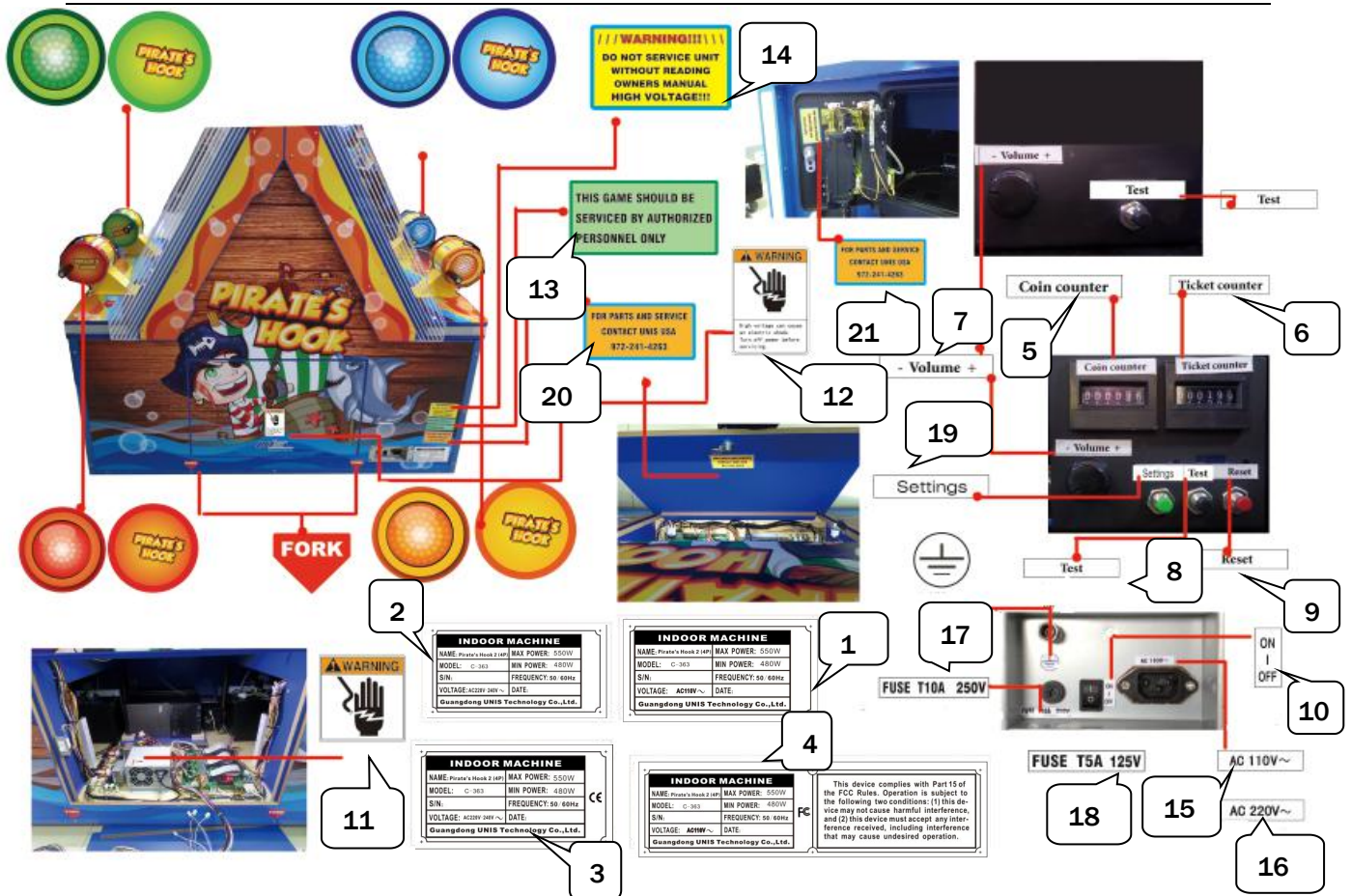


No.	Part No.	Draw No.	Name	Material	Qty
1	P113-425-000	22201000028	12V white light socket	Coin mech. indicating light socket	4
2	P113-426-000	22003000018	LED bulb	DC12V white 3LED	4
3	P113-810-000	297441122S004	Side light PCB	LED5050RGB-NC 21LED	4
4	P113-422-000	22301000007	Coin mech.	TW-800 II	4
5	P113-811-000	21712000001	Ticket converted board	TICK-CH.PCB	4
6	P113-423-000	23100000005	Ticket mech.	CL-022Q-270	4
7	P113-424-000	22003000075	Coin mech. red light	Φ3 LED	4
8	P113-815-001	22006012010	Light strip	RXB2835B-BB60Z/M	10
9	P113-809-000	29741122S003	Control panel LED board	LED48-NC-6 6 white LED	4
10	P113-813-001	22002016044	RGB light strip	DC12V 5050LED tri-color LED	2.5
11	P113-806-000	29710701003	Sensor board	Sensor MOC70T4.PCBV1.1	11
12	P113-808-000	29741122S001	Fishing mech. LED board	XHD2-LED01PCB(V1.0)	8
13	P113-435-000	22402000201	Lower-hook button	57-1820-02white	4

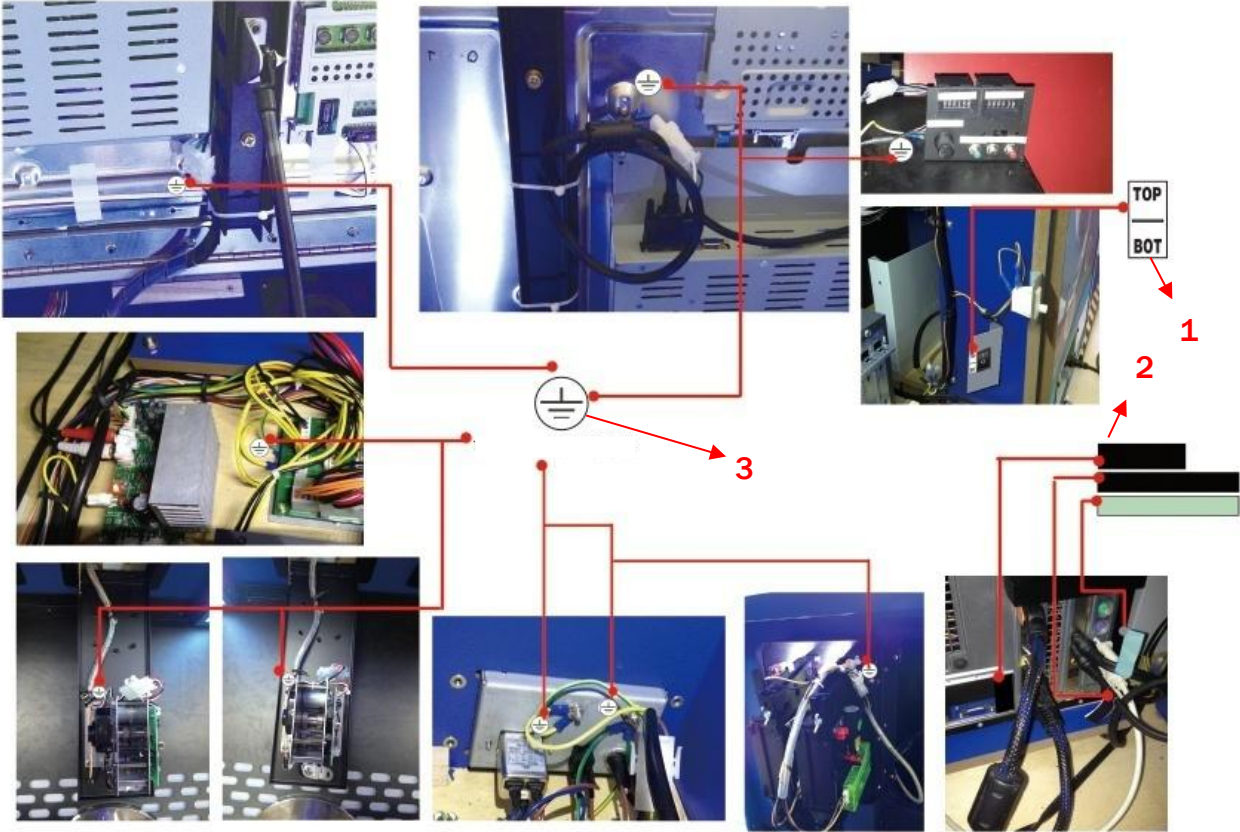
9.8 Decals



No.	Part No.	Draw No.	Name	Material	Qty
1	P113-701-000	20541122S001	Marquee decal	Plastic	2
2	P113-702-000	20541122S002	Control decal 1	Plastic	1
3	P113-703-000	20541122S003	Control decal 2	Plastic	1
4	P113-704-000	20541122S004	Both side decal	0.3PVC	2
5	P113-705-000	20541122S005	Monitor decal	0.3PVC	1
6	P113-706-000	20541122S006	L side decal	0.3PVC	1
7	P113-707-000	20541122S007	R side decal	0.3PVC	1
8	P113-708-000	20541122S008	Orange fish mech. right side decal	0.3PVC	1
9	P113-709-000	20541122S009	Blue fish mech. right side decal	0.3PVC	1
10	P113-710-000	20541122S010	Red fish mech. right side decal	0.3PVC	1
11	P113-711-000	20541122S011	Green fish mech. right side decal	0.3PVC	1
12	P113-712-000	20541122S012	Lower hook decal	White PVC100u	4
13	P113-713-000	20541122S013	Base decal	0.3PVC	1
14	P113-714-000	20541122S014	Orange fish mech. left side decal	0.3PVC	1
15	P113-715-000	20541122S015	Blue fish mech. left side decal	0.3PVC	1
16	P113-716-000	20541122S016	Red fish mech. left side decal	0.3PVC	1
17	P113-717-000	20541122S017	Green fish mech. left side decal	0.3PVC	1
18	P113-730-000	25600000023	Coin mech. decal	δ0.2plastic	4
19	P113-731-000	25600000034	Ticket decal	White PVC100u	4
20	P113-732-000	25600000035	Fork decal	White PVC100u	4

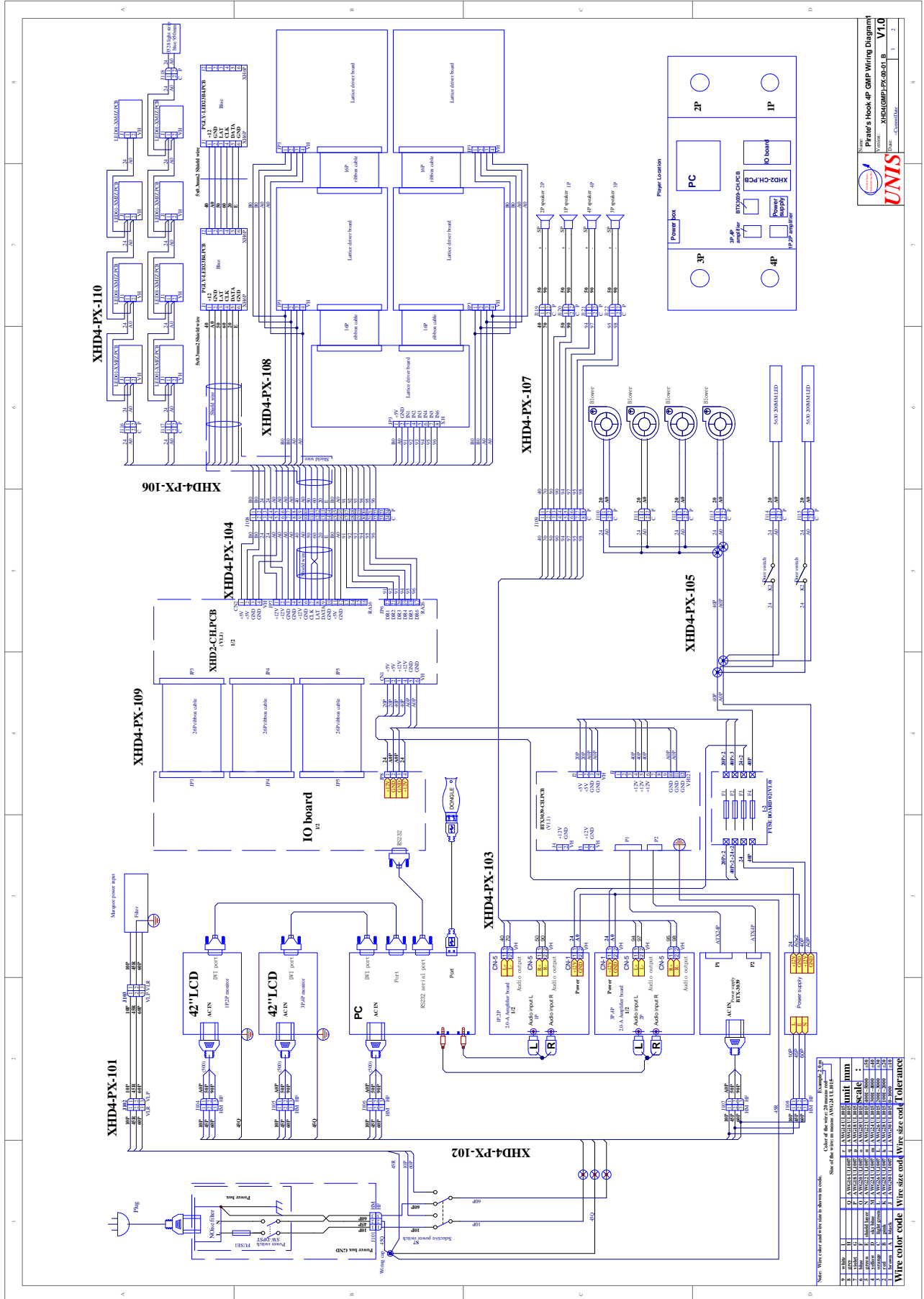


No.	Part No.	Draw No.	Name	Material	Qty
1	P113-718-001	20541122S018A	Uncertified 110V nameplate	1mmPVC	1
2	P113-719-001	20541122S019A	Uncertified 220V nameplate	1mmPVC	1
3	P113-720-001	20541122S020A	Certificated 220V nameplate	1mmPVC	1
4	P113-721-001	20541122S021A	Certificated 110V nameplate	1mmPVC	1
5	P113-724-000	25600000001	Coin counter label	White PVC100u	1
6	P113-725-000	25600000002	Ticket counter label	White PVC100u	1
7	P113-726-000	25600000003	Volume label	White PVC100u	2
8	P113-727-000	25600000005	Test button label	White PVC100u	2
9	P113-728-000	25600000006	Reset button label	White PVC100u	2
10	P113-729-000	25600000017	Power switch label	White PVC100u	1
11	P113-733-000	25600000036	High voltage warning label	White PVC100u	1
12	P113-734-000	25600000037	Low voltage warning label	White PVC100u	2
13	P113-735-000	25600000042	Service information label 1	White PVC100u	1
14	P113-736-000	25600000067	service information label 2	White PVC100u	1
15	P113-737-000	25600000071	New voltage label 1	White PVC100u	1
16	P113-738-000	25600000072	New voltage label 2	White PVC100u	1
17	P113-739-000	25600000077	Fuse T10A/250V	White PVC100u	1
18	P113-340-000	25600000080	Fuse T5A/125V	White PVC100u	1
19	P113-342-000	25600000092	Setting label	White PVC100u	1
20	P113-343-000	25600000095	Big new service label	White PVC100u	2
21	P113-344-000	25600000096	Small new service label	White PVC100u	2



No.	Part No.	Draw No.	Name	Material	Qty
1	P113-722-000	20541122S022	Power converted label	White PVC100u	1
2	P113-723-000	20541122S023	Computer label	White PVC100u	1
3	P113-341-000	25600000091	GND wire label	White PVC100u	14

WIRING DIAGRAM



Name: Pirate's Hook 4p OMP Wiring Diagram

 Version: XHD4(OMP-PX-00-01)_B_V1.0

 Date: 02/04/2019

Note: Wire color and size refer to the table below.
 Size of the wire in mm (AWG) is 1.3 (18)

Wire color code	Wire size code	Wire size code	Tolerance
1	1	1	1
2	2	2	2
3	3	3	3
4	4	4	4
5	5	5	5
6	6	6	6
7	7	7	7
8	8	8	8
9	9	9	9
10	10	10	10
11	11	11	11
12	12	12	12
13	13	13	13
14	14	14	14
15	15	15	15
16	16	16	16
17	17	17	17
18	18	18	18
19	19	19	19
20	20	20	20
21	21	21	21
22	22	22	22
23	23	23	23
24	24	24	24
25	25	25	25
26	26	26	26
27	27	27	27
28	28	28	28
29	29	29	29
30	30	30	30
31	31	31	31
32	32	32	32
33	33	33	33
34	34	34	34
35	35	35	35
36	36	36	36
37	37	37	37
38	38	38	38
39	39	39	39
40	40	40	40
41	41	41	41
42	42	42	42
43	43	43	43
44	44	44	44
45	45	45	45
46	46	46	46
47	47	47	47
48	48	48	48
49	49	49	49
50	50	50	50
51	51	51	51
52	52	52	52
53	53	53	53
54	54	54	54
55	55	55	55
56	56	56	56
57	57	57	57
58	58	58	58
59	59	59	59
60	60	60	60
61	61	61	61
62	62	62	62
63	63	63	63
64	64	64	64
65	65	65	65
66	66	66	66
67	67	67	67
68	68	68	68
69	69	69	69
70	70	70	70
71	71	71	71
72	72	72	72
73	73	73	73
74	74	74	74
75	75	75	75
76	76	76	76
77	77	77	77
78	78	78	78
79	79	79	79
80	80	80	80
81	81	81	81
82	82	82	82
83	83	83	83
84	84	84	84
85	85	85	85
86	86	86	86
87	87	87	87
88	88	88	88
89	89	89	89
90	90	90	90
91	91	91	91
92	92	92	92
93	93	93	93
94	94	94	94
95	95	95	95
96	96	96	96
97	97	97	97
98	98	98	98
99	99	99	99
100	100	100	100

