

PIRATE'S HOOK



Be Sure
to Read this
Manual
Before Use

CEC VERSION

Operation Manual

Distributed by: Amusements Worldwide

www.amusementsworldwide.com

Tel: 214-750-9202

SERIAL NUMBER:

DATE OF INSTALLATION:

CONTENT

Important Safety Instructions.....	2
1. SPECIFICATIONS	4
2. PACKAGE CONTENTS	5
3. PART NAMES	6
4. SET UP & INSTALLATION.....	7
5. HOW TO PLAY	10
6. GAME OPTION	11
7. ERROR MESSAGE AND RECOVERY.....	16
8. MAINTENANCE, INSPECTION.....	17
9. OVERALL CONSTRUCTION.....	18

Non-technical personnel who do not have technical knowledge and Expertise should refrain from performing such work that this manual require or perform tasks which are not explained in this manual. Failing to comply can cause severe accidents such as electric shock or other serious injuries. All repairs must be performed to original manufacturer specifications.

WARNING: To reduce the risk of fire, electric shock or personal injury, unplug or disconnect the machine from the power supply before servicing.

Thank you for purchasing **Pirate's Hook**. We hope you enjoy the product.

This manual contains valuable information about how to operate and maintain your game machine properly and safely. It is intended for the owner and/or personnel in charge of product operation. Carefully read and understand the instructions.

If you need any help during installation and setup please utilize this manual and troubleshooting guide. If the product fails to function properly, *non-technical personnel should under no circumstance attempt to service the machine*. Contact your distributor or manufacturer for help.

Before use, please read **IMPORTANT SAFETY INSTRUCTIONS**.

IMPORTANT SAFETY INSTRUCTIONS

To ensure the safe usage of this product, carefully read and understand these instructions before operating your game.

Save these instructions for future reference.

Use this product only as described in this manual. Other uses not recommended may cause fire, electric shock or personal injury. Unplug the game from the outlet when not in use, when moving from one location to another, and before cleaning/servicing.

Explanations which require special attention are indicated by signs of warning. Depending on the potential hazardous degree, the terms: **NOTE**, **NOTICE**, and **WARNING** are used.

NOTE: A NOTE indicates useful hints or information about product usage.

NOTICE: A NOTICE indicates potential damage to product and how to avoid the problem.

WARNING: A WARNING indicates a potential for product damage or serious personal injury. It is important to understand the meaning of the following HAZARD SIGNS before continuing:

High Voltage and Shock Hazard:

High voltage can cause electric shock.
Turn off/unplug power before servicing.



High Temperature Hazard:

This part may cause scalding.
Do not touch. Surface may be hot.



No Touching Hazard:

This part may be hot or can cause electric shock.
Do not touch.



Use the following safety guidelines to help ensure your own personal safety and to help protect your equipment and surrounding environment from potential damage.



This product is an indoor game machine. Do not install outdoors.

Avoid installing in the following places to prevent fire, electric shock, injury and/or machine malfunctioning:

- Places subject to rain/moisture, or places subject to high humidity.
- Places subject to direct sunlight, or places subject to extremely hot or cold temperatures to ensure that it is used within the specified operating range.
- Places where inflammable gas may be present or in the vicinity of highly inflammable/volatile chemicals or items that can easily catch fire
- On unstable or sloped surfaces. The machine may topple or cause unforeseen accidents.
- Vicinity of fire exits, fire extinguishers etc that may block/prevent safety measures

IMPORTANT NOTE:

ALL REPAIRS MUST BE DONE TO ORIGINAL MANUFACTURER SPECIFICATIONS. FAILURE TO DO SO VOID ALL WARRANTIES AND OPERATOR ASSUMES ALL RISKS.

Note: The contents of this manual may be updated without notice.

1. SPECIFICATIONS

Rated power supply: AC220-240V 50/60Hz

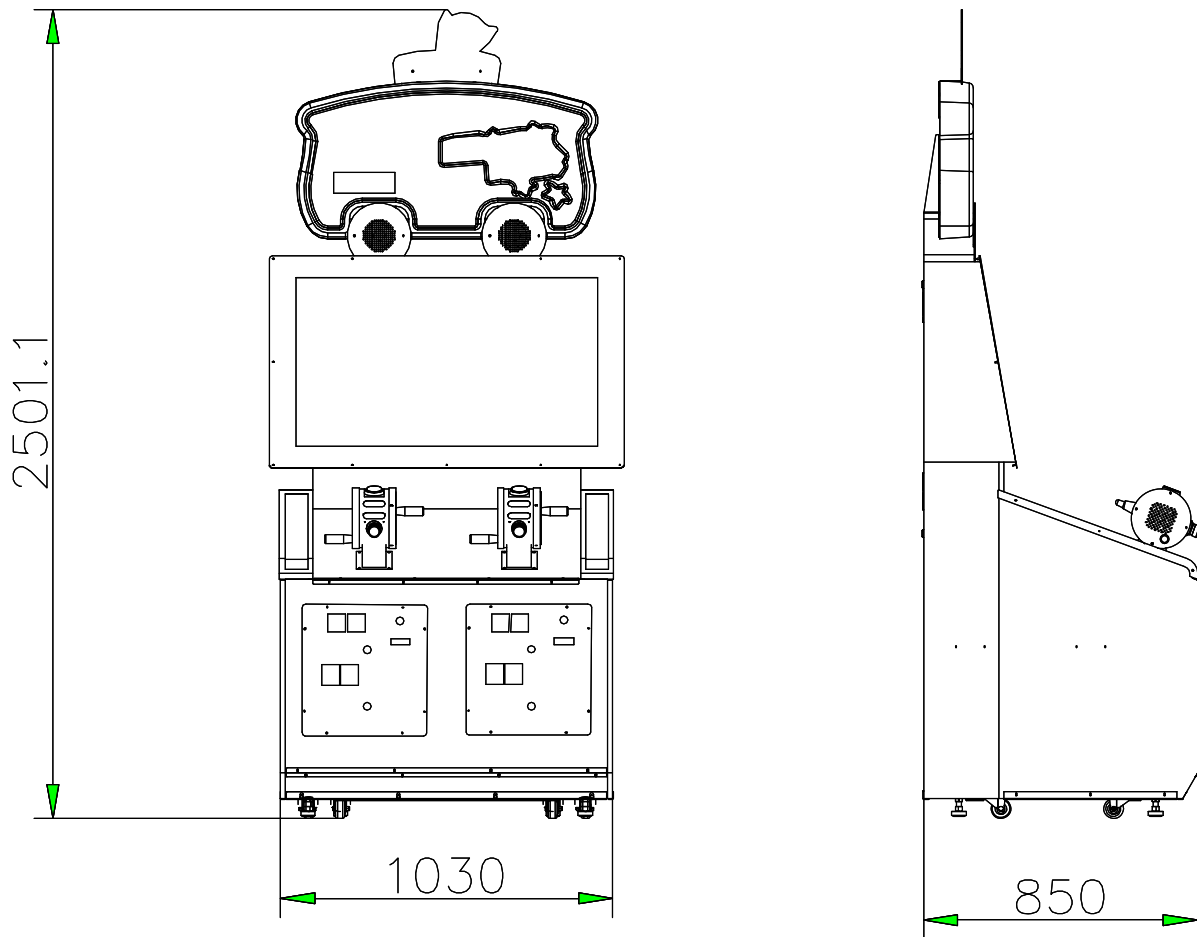
Min. Power consumption: 210W

Max. Power consumption: 380W

Dimensions: W1030×D850×H2501.1 (mm)

Weight: Approximately 180kg

! **NOTICE:** After turning off the game, please wait at least 1 minute before restarting again.






Note: Game parameters are subject to change without notice.

! **NOTICE:** After turning off the game, please wait at least 1 minute before restarting again.

2. PACKAGE CONTENTS

Open the package and make sure all the items are included:

- 1 x Body Assembly
- Following accessories

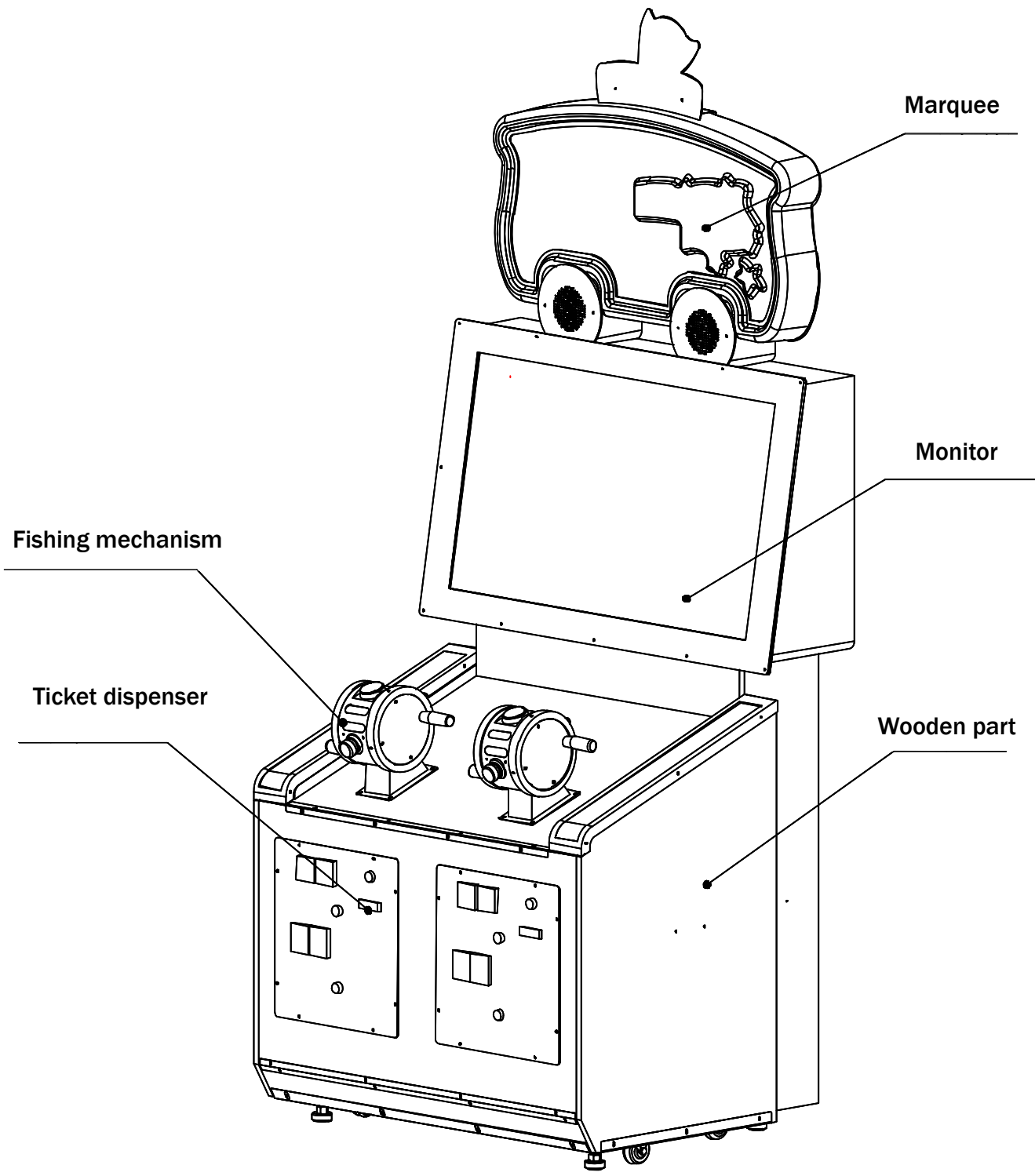
NO.	Part number	Code	Name	Qty	Illustration
1	X109-433-000	2.33.01.000001	Power cord	1	
2	X109-732-000	4.14.60836001	Manual	1	
3	X109-406-000	25300000004	Door key	2	
5	X109-452-000	41300000003	USB	1	
6	X109-423-000	2.19.01.000013	Fuse	1	

If any items are found to be missing, please contact your sales representative for help immediately.

Warranty: Universal Space provides 90 days warranty for all electrical and mechanical components, when used under normal operating conditions. Any modification or abuse of these items immediately voids the warranty. Graphic and consumable items are exempt from any warranty.

NOTE: Part models are subject to change without notice.

3. PART NAME



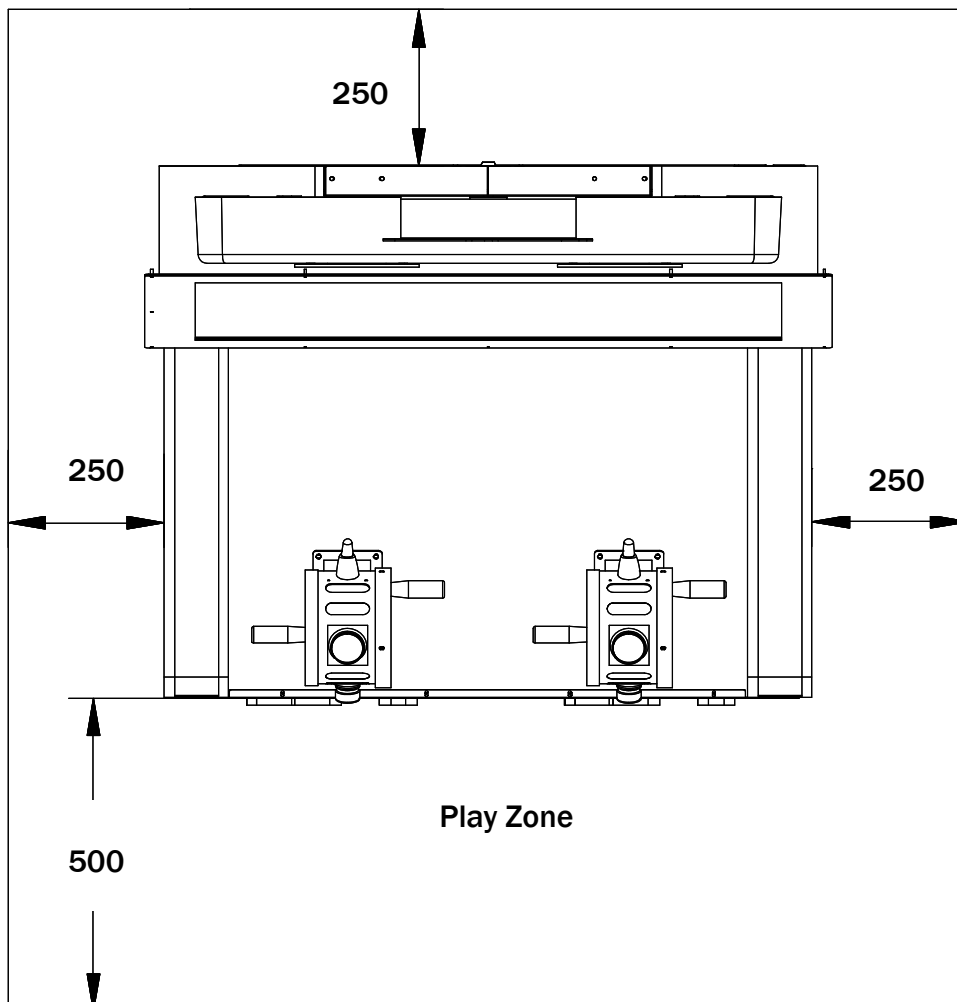
4. SET UP & INSTALLATION

! This product is an indoor game machine. Do not install outdoors.

- Refer to IMPORTANT SAFETY INSTRUCTIONS (Pg. 2) for places to avoid
- Place the unit on a dry level surface
- Ventilation openings in the back of the unit must not be obstructed by objects or by wall.

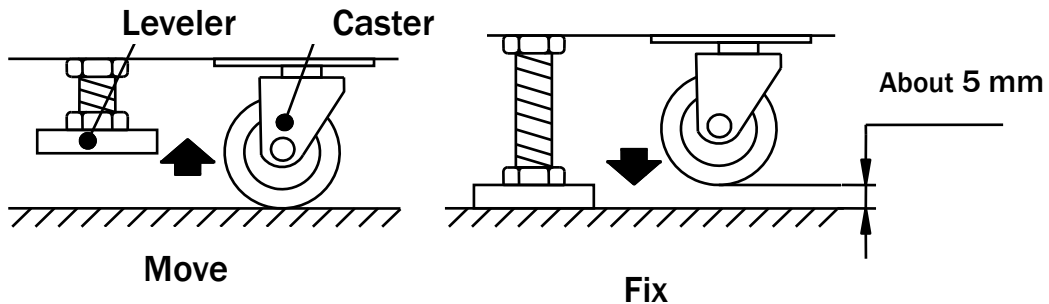
4.1 Play Zone

This machine requires space for playing and for maintenance as shown below.
Leave space around the game upon installation:



4.2 Level Adjustment

Install this machine on a flat surface. Adjust levers to lift casters off the ground to level the game. If the game is installed on an unsuitable floor, it could cause game malfunction. To secure the game, adjust the Leveler down until it touches the floor, lifting the casters off the ground by 5mm. Repeat the same for all levelers.

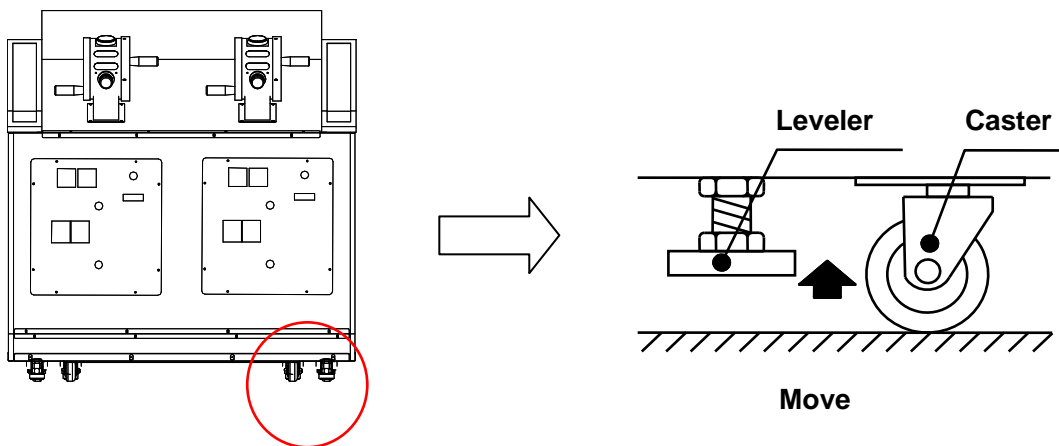


NOTICE

Make sure the machine is level with the ground and all the adjustable legs should stick to the floor closely.

4.3 Transporting the Game

If you need to move the game, adjust the levelers back to an “up” position so the casters touch the ground.



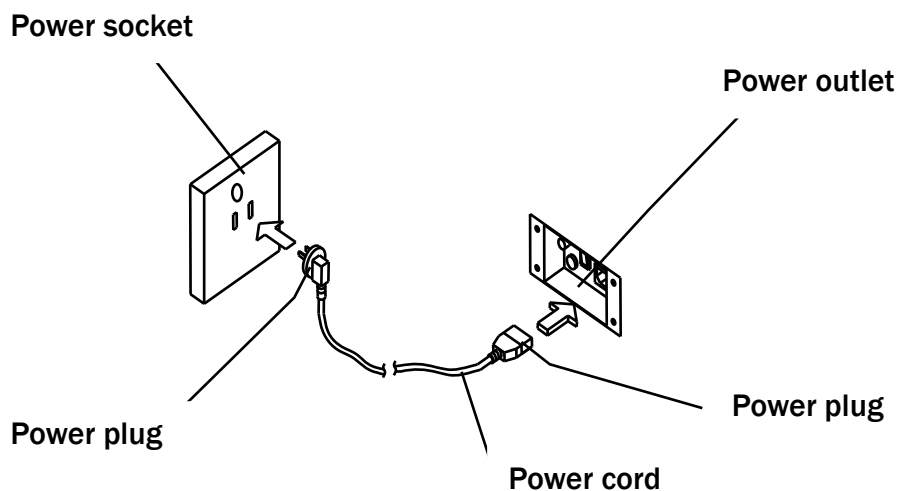
NOTICE

- Be careful not to damage the machine during transport.
- The machine should be handled with care when bringing it down from a higher level.
- Always unplug the game before moving.
- Keep the machine in upright position during transport.
- For longer distance transport, package the game properly to prevent damages

4.4 Connecting Power

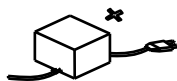
! **WARNING:** Check the voltage rating before you connect the equipment to an electrical outlet to ensure that the required voltage and frequency match the available power source. Please refer the label of the machine.

- Do not plug the equipment power cables into an electrical outlet if the power cable is damaged.
- Avoid putting many loads on one electrical outlet as it could generate heat and fire resulting from overload.
- Connect the grounding conductor to the earth terminal (GND):

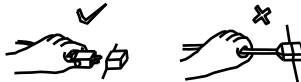


! **WARNING**

Ensure no heavy objects rest on the power cord. Check to make sure the game cabinet does not sit on the power cord as this could damage the cord and become hazardous.



To disconnect the game, grip the plug and pull it from the wall outlet. Never pull by the cord.



To prevent electric shock, do not touch the power plug when hand is wet.



Ensure that nothing rests on the power cord and that it is not located where it can be stepped on or tripped over.



5. HOW TO PLAY

5.1 Game Interface



5.2 How to Play

The machine provide for 2 players at the same time.

1. Insert coin(s), fishing rob left and right.

2. Press the button  to lower the hook.

3. Rotate the handles to reel in the fish.

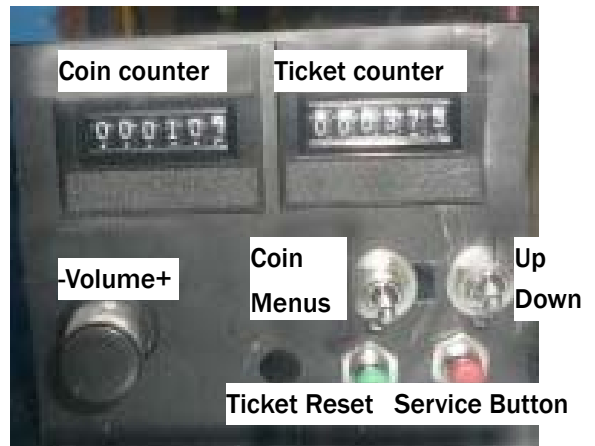
4. Catch as many fish as possible within the time limit. Junk Items= No Tickets.

5. Catch the Lobster King to win the MEGA BONUS!

6. GAME OPTIONS

6.1 Testing Button Distribution:

You can see testing button after you open the coin door in orange fishing mechanism. Press testing button, enter Menu adjustment options.










6.2 Main Menu Options:

<p style="text-align: center;"> Main Menu Game Mode Input Test Output Test Game Reset Language Date/Time Setting Bookkeeping Daily Record Exit& Without Save Exit& Save </p>
--

6.2.1 Game mode

Name	Option	Description
Free Play	ON/OFF	Turn on/off the free play mode.
Ticket Out	ON/OFF	Turn on/off payout tickets.
Coins per Round	1-4	inserted coin to play one game.
Demo Music	ON/OFF	Turn on/off the demo music.
Save Coins	ON/OFF	Whether memory inserted coins after power off.
Volume	0-10	Set the volume of the game.
Fixed Ticket	0-50	Fix ticket setting. "0" is fixed ticket off.
Lobster Mega Bonus	1-10	10 is the lowest frequency to show up lobster. 1 is the highest frequency.
Ticket/Point	Ticket/Point	Target is defined as ticket or points.
Average Payout	10-40	Ticket payout setting. It is invalid when fixed ticket ON or point mode ON.
Target Tickets		Please refer to 6.2.1.1
Target Point		Please refer to 6.2.1.2
Score Board		Please refer to 6.2.1.3
Game Difficulty	1-4	1 is the easiest, 4 is the hardest.
Game Duration	10,20,30,40,50,60,70,80,90	Play time setting
Auto Play Time	5-20 s	Insert coins, time to wait before auto start.
Resistance		Please refer to 6.2.1.4
Back		Back to the main menu

6.2.1.1 Target Tickets:

Target	Image	Ticket
SM fish		0-100 ticket
M fish		0-100 ticket
LG fish		0-200 ticket
Junk		0-10 ticket
Shark		0-500 ticket
Octopus		0-500 ticket
Lobster Mega Bonus		0-2000 ticket

Note: When Fixed Ticket is 0 and target is defined as Ticket, Lobster Mega Bonus can be manual adjusted. The rest of the target tickets are adjusted automatically base on the play time, difficulty and average payout settings.

6.2.1.2 Target Point Setting:

Target	Ticket Adjustment Range
SM fish	0-100 point
M fish	0-100 point
LG fish	0-200 point
Junk	0-10 point
Shark	0-500 point
Octopus	0-500 point
Lobster Mega Bonus	0-2000 point

Note: This item is available to adjust when Target is defined as Points.

6.2.1.3 Score Board:

Point Range	Setting Range
Note: This item is available to adjust when Target is defined as Points. When Fixed Ticket is set to more than 0, this item is invalid.	
0-4 Point Get Tickets	1,2,3,4,5,6,7
5-100 Point Get Tickets	,8,9,10,15,2
101-200 Point Get Tickets	0,25,30,40,
201-350 Point Get Tickets	50
351-500 Point Get Tickets	, 60,70,80,90
500-1000 Point Get Tickets	, 100.
1001-2000 Point Get Tickets	

6.2.1.4 Resistance Setting:

Target	Range
Small Fishes Resistance	0-7(default 0)
Middle Fishes Resistance	0-7(default 1)
Big Fishes Resistance	0-7(default 2)

Note: Targets in row 0,1,2,5 are considered as Small Fishes. Targets in row 3 and 4 are considered as Middle Fishes. Targets in row 6 are considered as Big Fishes. Resistance is increased from 0 to 7.

6.2.2 Input Test

Input Test	
Coin Mech. 1	ON/OFF
Coin Mech. 2	ON/OFF
Coin Mech. 3	ON/OFF
Coin Mech. 4	ON/OFF
Player1 Reel In	ON/OFF
Player2 Reel In	ON/OFF
Player1 Lower Hook	ON/OFF
Player2 Lower Hook	ON/OFF
Player1 Ticket Out	ON/OFF
Player2 Ticker Out	ON/OFF
Back	

6.2.3 Output Test

Output Test	
Player1 Resistance	0-7(Default 0)
Player2 Resistance	0-7(Default 0)
Player1 vibration	ON/OFF
Player2 vibration	ON/OFF
Player1 out of ticket light	ON/OFF
Player2 out of ticket light	ON/OFF
Player1 lower hook light	ON/OFF
Player2 lower hook light	ON/OFF
Digital Display	ON/OFF
Mega bonus light	ON/OFF
Back	

6.2.4 Game Reset

Game Reset
Reset Game Setting
Delete All Record
Clear Tickets
Back

6.2.5 Language

Language
English
中文(Chinese)
Back

6.2.6 Date/Time setting

Date/Time Setting	
Year	2012
Month	2
Date	13
Hour(24)	13
Minute	25
BACK&APPLY	
Back	

6.2.7 Bookkeeping

Bookkeeping			
Player	Coins	Tickets	Payout(ticket)
1	1	5	5.00
2	2	10	5.00
Sum	3	15	5.00
Reset			
Back			

6.2.8 Daily Record:

Daily Record					
Date	Weekday	Run Time	Coins	Tickets	Payout
2012-02-04	SAT	00:01	3	15	5.00
Reset					
Back					

8. MAINTENANCE & INSPECTION

8.1 Safety Check

Check the points listed before operating the machine. These checks are necessary for safe machine operation:

1. Try to run the game before operation each day.
2. Conduct monthly routine checks of game components ensure good working condition
3. Check the machine regularly for dust and clean when necessary.

Note: Parts and components require preventative maintenance to be kept running smoothly

8.2 Handling Precautions

When installing or inspecting the machine, be very careful of the following points and pay attention to ensure that the player can enjoy the game safely.

Non-compliance with the following points or inappropriate handling running counter to the cautionary matters herein stated can cause personal injury or damage to the machine

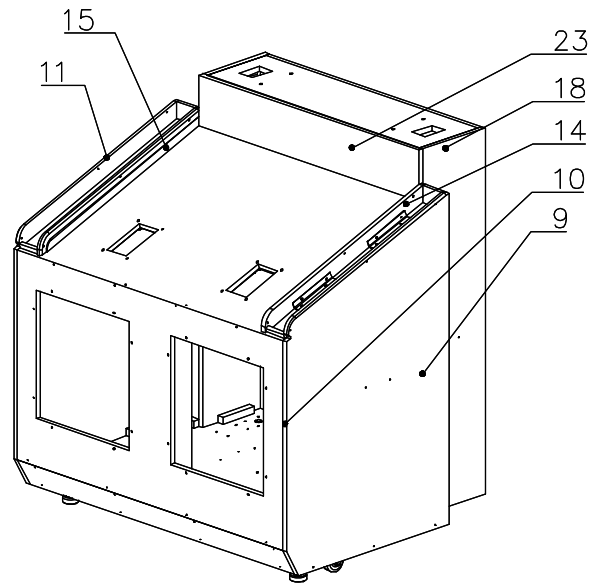
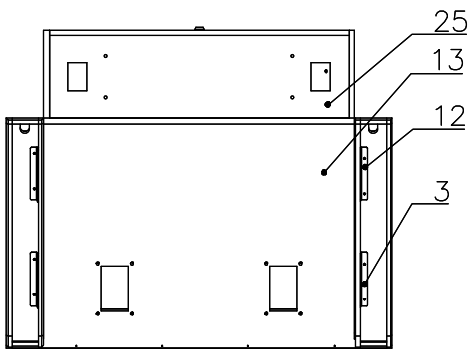
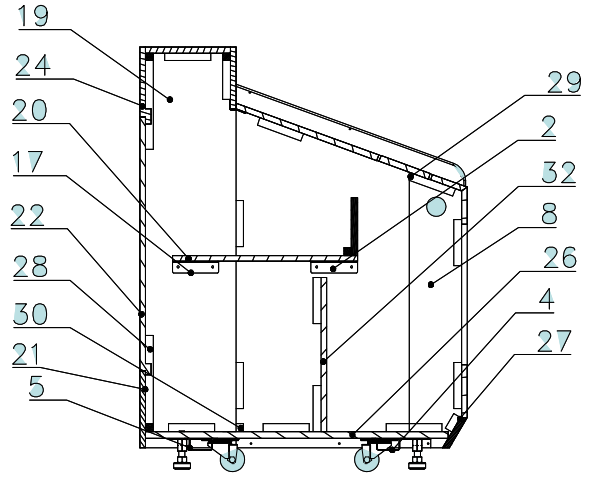
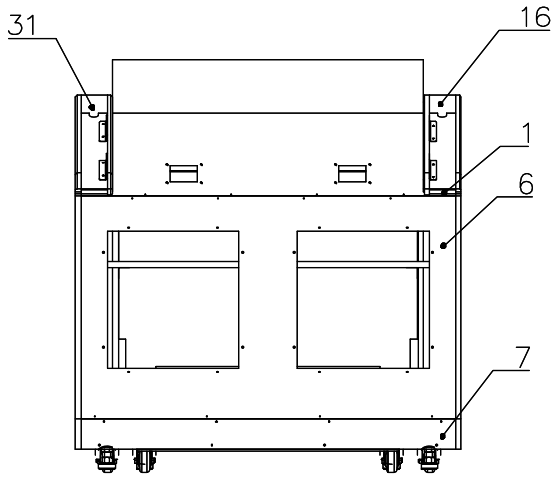


WARNING

- Before servicing the machine, be sure to turn power off. Servicing without turning the power off can cause electric shock or short circuit.
- To avoid electric shock or short circuit, do not plug then unplug the power quickly
- Do not expose power cords and earth wires, these are susceptible to damage.
- Damaged cords and wires can cause electric shock or short circuit and should be replaced immediately.
- When or after installing the product, avoid pulling the power cord to prevent unnecessary wear and tear. Use the power button to disconnect power.
- In case the power cord is damaged, ask for replacement through where the product was purchased from or replace locally. Continued usage of damaged cord can cause fire, electric shock or leakage.
- Perform grounding appropriately. Inappropriate grounding can cause electric shock.
- Use fuses that meet specified rating. Fuses exceeding can cause an electric shock.
- Should a problem occur, turn off the power immediately and stop operating the machine. Unplug the power cord of the service outlet. Operating the machine without correcting the problem may cause a fire or injuries.
- Insert the power plug securely into the outlet. Poor contact may cause overheating, resulting in fire or burns.
- To ensure the warning labels attached on the machine are visible and legible, install the machine in a well-lit location, and keep the labels clean at all times. Make sure the labels are not hidden behind other game machines.

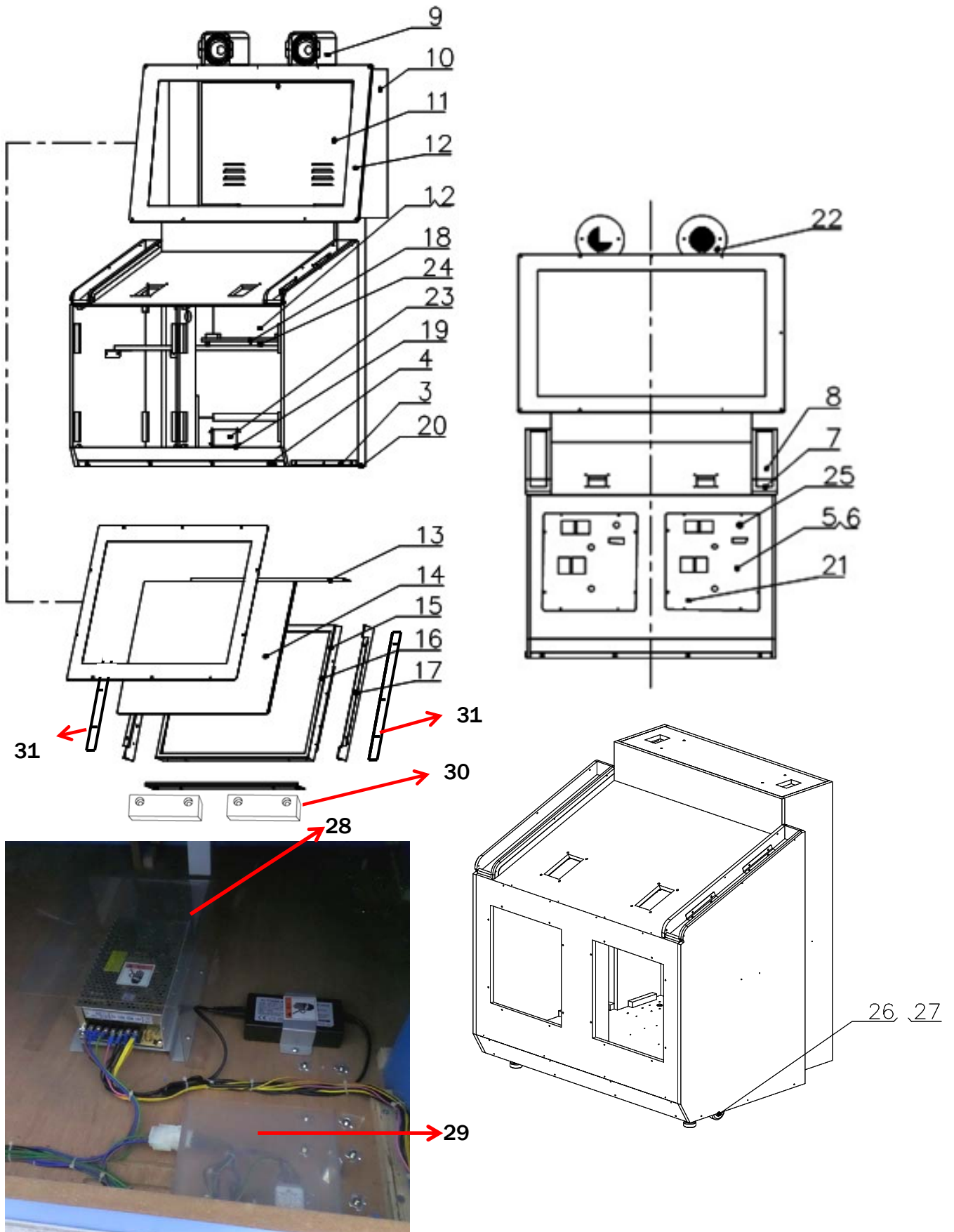
9. OVERALL CONSTRUCTION

9.1 Cabinet 1



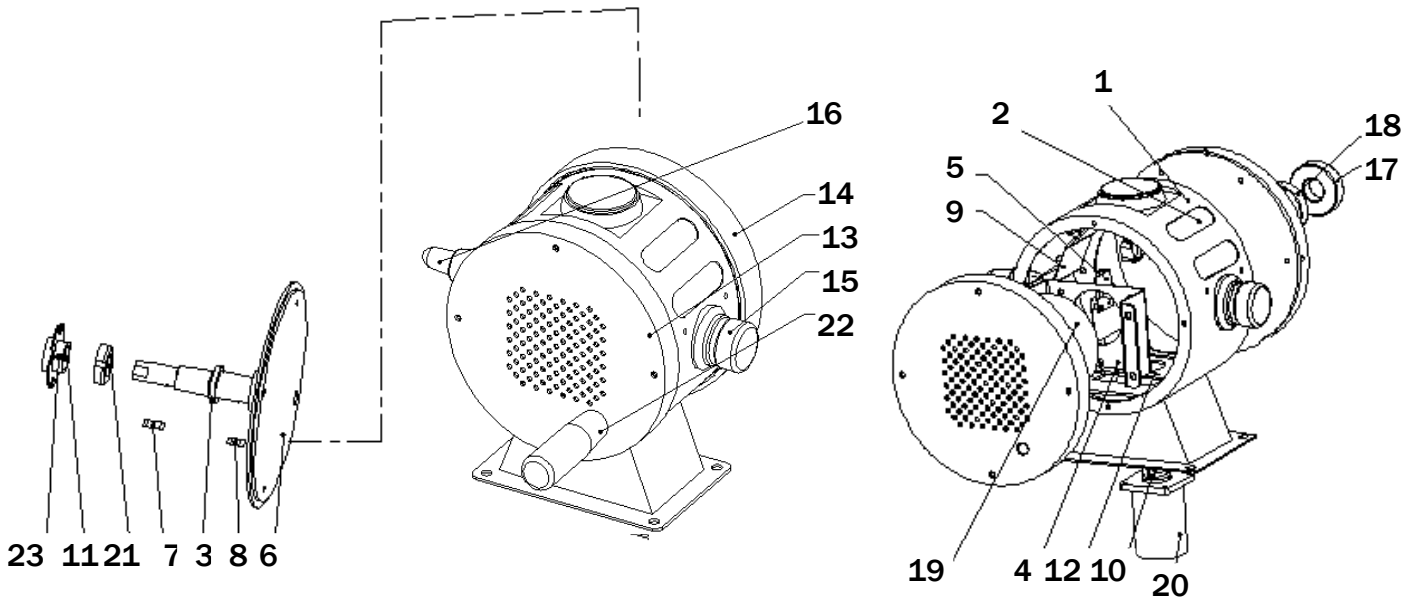
No.	Part No.	Draw No.	Name	Qty
1	X109-501-000	203.4.11.22.001	Light barrier	2
2	X109-237-000	202.4.11.22.024	PC pad support block 2	2
3	X109-238-000	202.4.11.22.025	Connected plate 3	4
4	X109-239-000	202.4.11.22.026	Bed plate pad 2	1
5	X109-240-000	202.4.11.22.030	Bed plate pad 1	1
6	X109-502-000	203.4.11.22.006	Front plate	1
7	X109-503-000	203.4.11.22.007	Front plate 2	1
8	X109-504-000	203.4.11.22.008	Middle plate	1
9	X109-505-000	20341122025	Side plate 1	1
10	X109-612-000	405.0.10.00.008	T-molding	1.6
11	X109-506-000	20341122026	Side plate 2	1
12	X109-241-000	202.4.11.22.027	Connected plate 4	1
13	X109-507-000	203.4.11.22.010	Control panel plate	1
14	X109-508-000	203.4.11.22.011	R side light plate	1
15	X109-509-000	203.4.11.22.012	L side light plate	1
16	X109-510-000	203.4.11.22.004	R side cover plate	1
17	X109-242-000	202.4.11.22.028	PC pad support block 1	2
18	X109-511-000	203.4.11.22.015	L side plate	1
19	X109-512-000	203.4.11.22.014	R side plate	1
20	X109-513-000	20341122013	Middle divided plate	1
21	X109-514-000	203.4.11.22.018	Bottom cover plate	1
22	X109-515-000	203.4.11.22.009	Door plate	1
23	X109-516-000	203.4.11.22.016	Front cover plate	1
24	X109-517-000	203.4.11.22.017	Back top cover plate	1
25	X109-518-000	203.4.11.22.019	Top cover plate	1
26	X109-519-000	203.4.11.22.020	Bottom plate	1
27	X109-520-000	203.4.11.22.021	Cant1	4
28	X109-521-000	203.4.11.22.022	Cant2	4
29	X109-522-000	203.4.11.22.023	Cant3	34
30	X109-523-000	203.4.11.22.024	Cant4	6
31	X109-524-000	203.4.11.22.003	L side cover plate	1
32	X109-525-000	20341122C002	Power partition	1

9.2 Cabinet 2



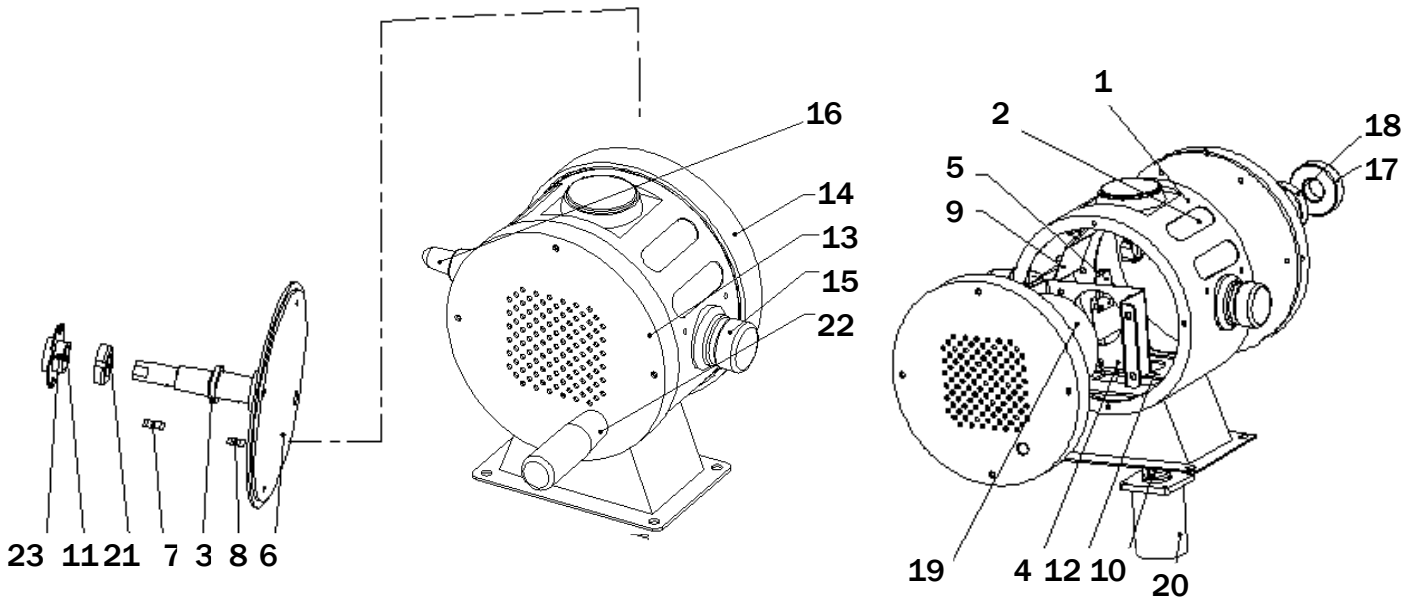
No.	Part No.	Draw No.	Name	Qty
1	X109-201-000	20241122001	PC fixed board	1
2	X109-601-000	20641122001	PC foam	1
3	X109-202-000	202.4.11.22.003	Bottom L&R T-molding	2
4	X109-203-000	202.4.11.22.004	Front T-molding	1
5	X109-403-000	202.4.11.22.005	Coin door	2
6	X109-204-000	202.4.11.22.006	Ticket box	2
7	X109-205-000	20241122007	Control panel either side plastic pressure plate	2
8	X109-602-000	206.4.11.22.004	Control panel either side plastic	2
9	X109-206-000	202.4.11.22.009	Speaker base	2
10	X109-207-000	202.4.11.22.010	Monitor base	1
11	X109-208-000	202.4.11.22.011	Monitor base back board	1
12	X109-209-000	202.4.11.22.012	Monitor front cover board	1
13	X109-210-000	202.4.11.22.013	Glass pressure bar	2
14	X109-603-000	204.4.11.22.001	Monitor glass	1
15	X109-604-000	206.4.11.22.003	Monitor long foam	2
16	X109-605-000	206.4.11.22.002	Monitor short foam	2
17	X109-211-000	202.4.11.22.017	Monitor L&R fixed board	2
18	X109-502-000	20341122002	PC fix board	1
19	X109-212-000	202.4.11.22.019	Power pressure plate	1
20	X109-213-000	202.4.11.22.020	Back T-molding	1
21	X109-214-000	202.4.11.22.021	Button fixed board	2
22	X109-733-000	20541122025	Speaker plastic	2
23	X109-404-000	20241122C005	Wire box support base	1
24	X109-405-000	2.60.00012000	Shockproof screw A	4
25	X109-406-000	25302222001	Lock	8
26	X109-401-000	2.60.00008000	2.5" leveler	4
27	X109-402-000	25501000003	2.5" caster	4
28	X109-251-000	20641122C001	Power cover	1
29	X109-252-000	20641122C002	Power socket cover	1
30	X109-106-000	20341122029	Glass pad	2
31	X109-107-000	20641122c003	Monitor left and right pad	2

9.3 Left Handle Mechanism



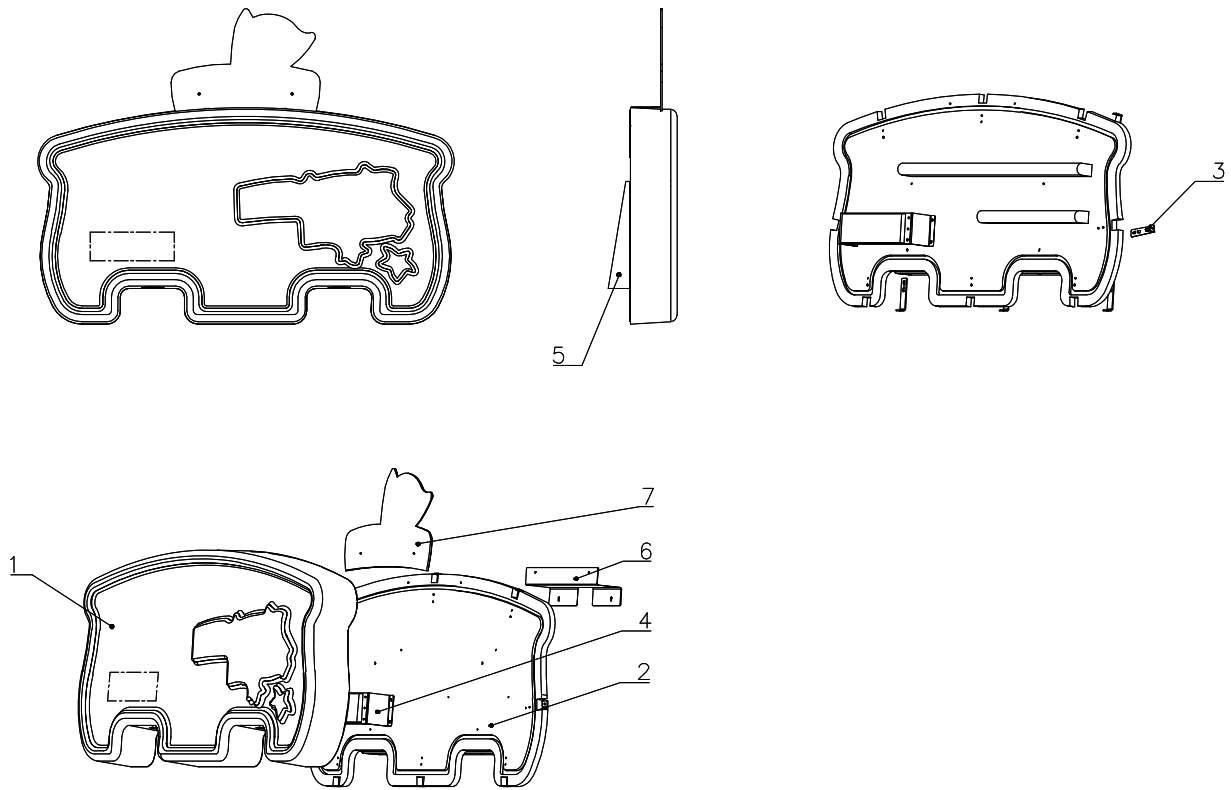
No.	Part No.	Draw No.	Name	Qty
1	X109-215-000	2.99.4.11.22.006	Fishing mechanism outer bracket 1	1
2	X109-606-000	206.4.11.22.006	Translucent piece	2
3	X109-216-000	202.4.11.22.016	Washer	1
4	X109-217-000	202.4.11.22.031	Clutch support base	1
5	X109-218-000	202.4.11.22.032	Sensor support base	1
6	X109-219-000	20241122056	Turntable 1	1
7	X109-220-000	202.4.11.22.034	Key 1	1
8	X109-221-000	202.4.11.22.035	Key 2	1
9	X109-222-000	202.4.11.22.036	Light strip fix board	2
10	X109-223-000	202.4.11.22.037	Eccentric	1
11	X109-224-000	202.4.11.22.038	Sensor block	1
12	X109-225-000	202.4.11.22.039	Motor fix board	1
13	X109-226-000	202.4.11.22.040	Bracket R cover 1	1
14	X109-227-000	20241122043	Bearing block	1
15	X109-607-000	206.4.11.22.009	Fishing mechanism decorate (Orange) 3	1
16	X109-608-000	206.4.11.22.010	Fishing mechanism decorate (Orange) 4	1
17	X109-408-000	2.01.06.15.0003	One-way bearing	1
18	X109-409-000	2.01.06.000127	Deep groove ball bearing	1
19	X109-410-000	2.34.13.000002	Hollow shaft magnetic powder brake	1
20	X109-411-000	2.34.04.000030	DC motor	1
21	X109-412-000	2.01.02.00.8003	Round nut	1
22	X109-413-000	206.4.11.22.005	Rotating grip handle	2
23	X109-228-000	202.4.11.22.042	Copper pad	1

9.4 Right Handle Mechanism



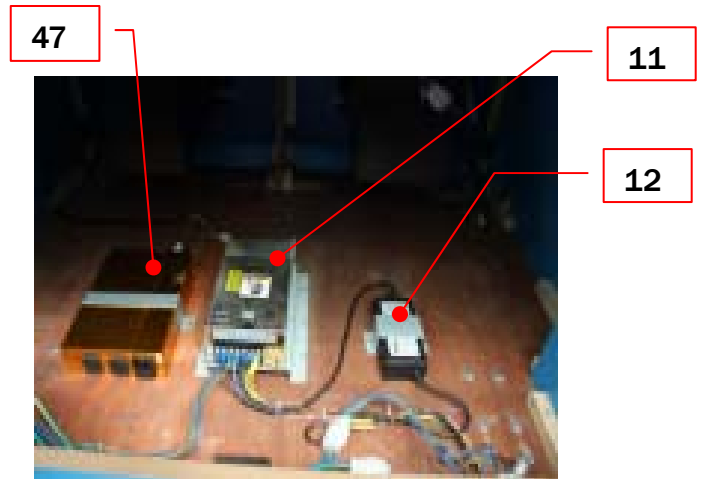
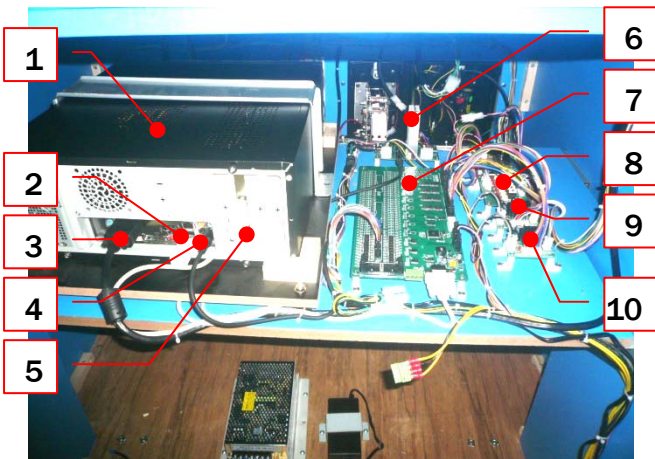
No.	Part No.	Draw No.	Name	Qty
1	X109-229-000	2.99.4.11.22.007	Fishing mechanism outer bracket 2	1
2	X109-606-000	206.4.11.22.006	Translucent piece	2
3	X109-216-000	202.4.11.22.016	Washer	1
4	X109-217-000	202.4.11.22.031	Clutch support base	1
5	X109-218-000	202.4.11.22.032	Sensor support base	1
6	X109-231-000	20214422057	Turntable 2	1
7	X109-220-000	202.4.11.22.034	Key 1	1
8	X109-221-000	202.4.11.22.035	Key 2	1
9	X109-222-000	202.4.11.22.036	Light strip fix board	2
10	X109-223-000	202.4.11.22.037	Eccentric	1
11	X109-224-000	202.4.11.22.038	Sensor block	1
12	X109-225-000	202.4.11.22.039	Motor fix board	1
13	X109-230-000	202.4.11.22.044	Bracket R cover 2	1
14	X109-227-000	20241122043	Bearing block	1
15	X109-609-000	206.4.11.22.007	Fishing mechanism decorate (blue) 1	1
16	X109-610-000	206.4.11.22.008	Fishing mechanism decorate (blue) 2	1
17	X109-408-000	2.01.06.15.0003	One-way bearing	1
18	X109-409-000	2.01.06.000127	Deep groove ball bearing	1
19	X109-410-000	2.34.13.000002	Hollow shaft magnetic powder brake	1
20	X109-411-000	2.34.04.000030	DC motor	1
21	X109-412-000	2.01.02.00.8003	Round nut	1
22	X109-413-000	206.4.11.22.005	Rotating grip handle	2
23	X109-228-000	202.4.11.22.042	Copper pad	1

9.5 Marquee Assembly

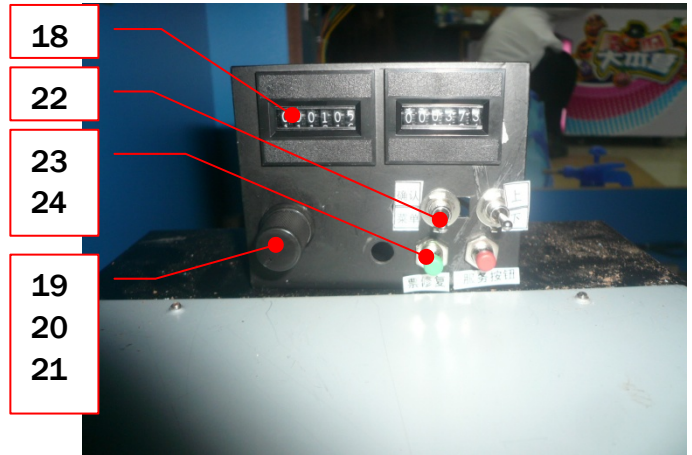
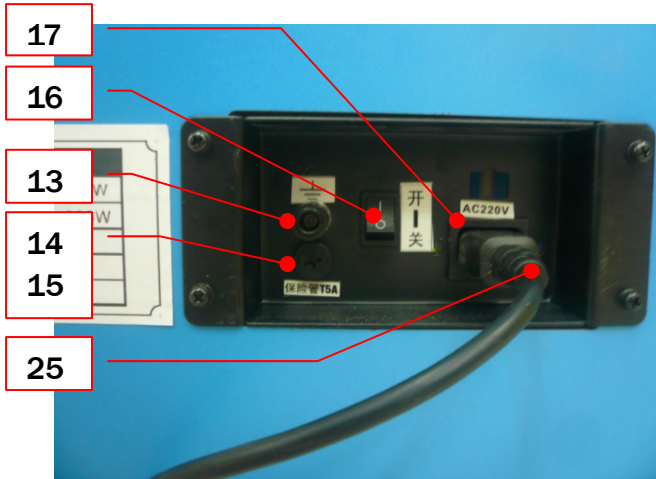


No.	Part No.	Draw No.	Name	Qty
1	X109-611-000	299.4.11.22.009	Marquee vacuum form	1
2	X109-500-000	203.4.11.22.028	Marquee fix board	1
3	X109-233-000	202.4.11.22.058	Vacuum form fix block	8
4	X109-232-000	202.4.11.22.059	Digital support base	2
5	X109-234-000	202.4.11.22.060	Marquee support base	1
6	X109-250-000	202.4.11.22.061	Marquee decal support block	1
7	X109-200-000	205.4.11.22.023	Small flag decal	1

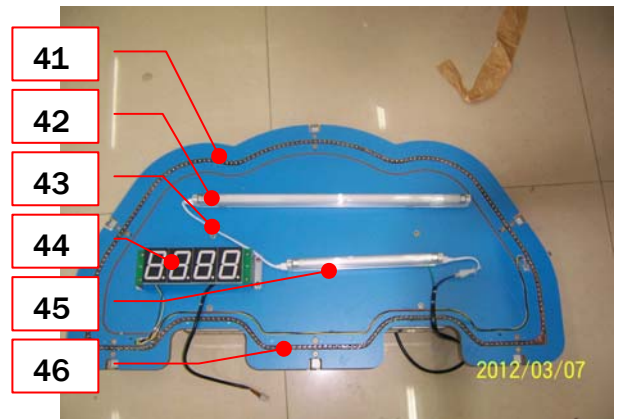
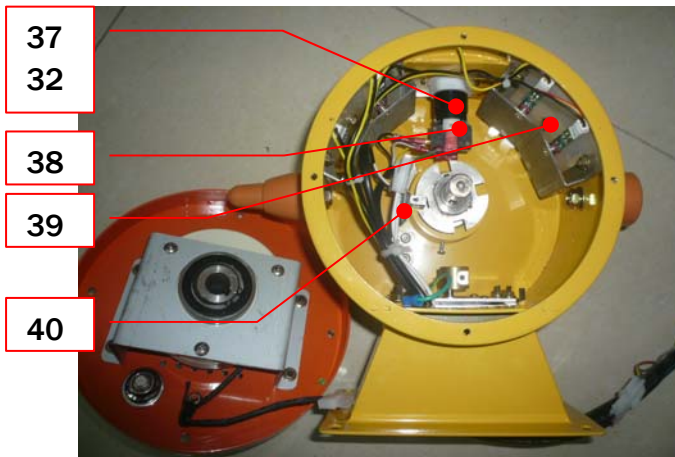
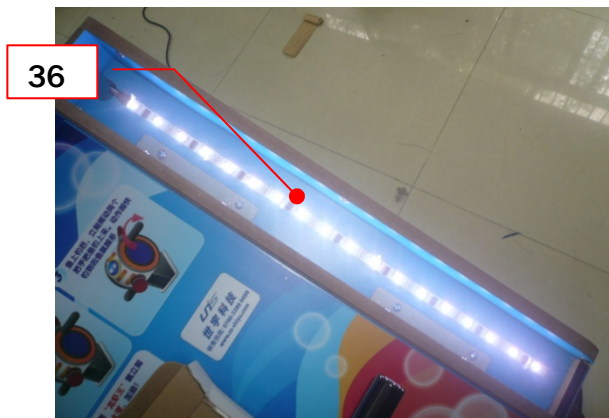
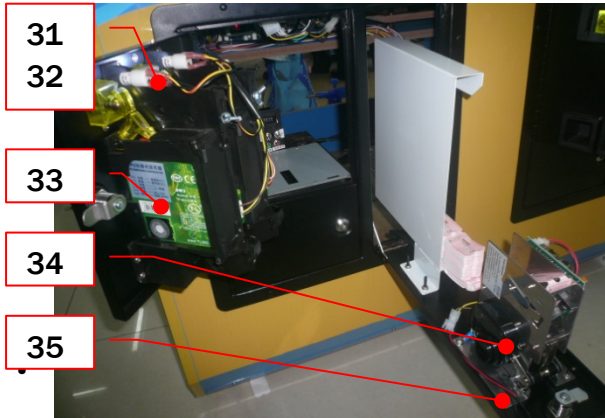
9.6 Electrical Equipment Part:



No.	Part No.	Draw No.	Name	Qty
1	X109-480-000	21101000019A	PC	1
2	X109-415-000	20841122002	Dongle	1
3	X109-416-000	2.33.03.020002	Serial port cable	1
4	X109-417-000	2.33.05.000004	Stereo audio cable	1
5	X109-418-000	2.33.07.000015	DVI-DVI video cable	1
6	X109-801-000	2.17.02.000008	Amplifier board	1
7	X109-802-000	20841122001	IO board	1
8	X109-803-000	207.4.11.22.001	PCB	1
9	X109-804-000	207.3.11.01.001	PCB	1
10	X109-805-000	207.3.11.01.001	PCB	1
11	X109-483-000	2.16.02.000093	Power box	1
12	X109-481-000	2.16.02.000076	DC power box	1
13	X109-482-000	2.16.03.000043	UPS Power Supply	1

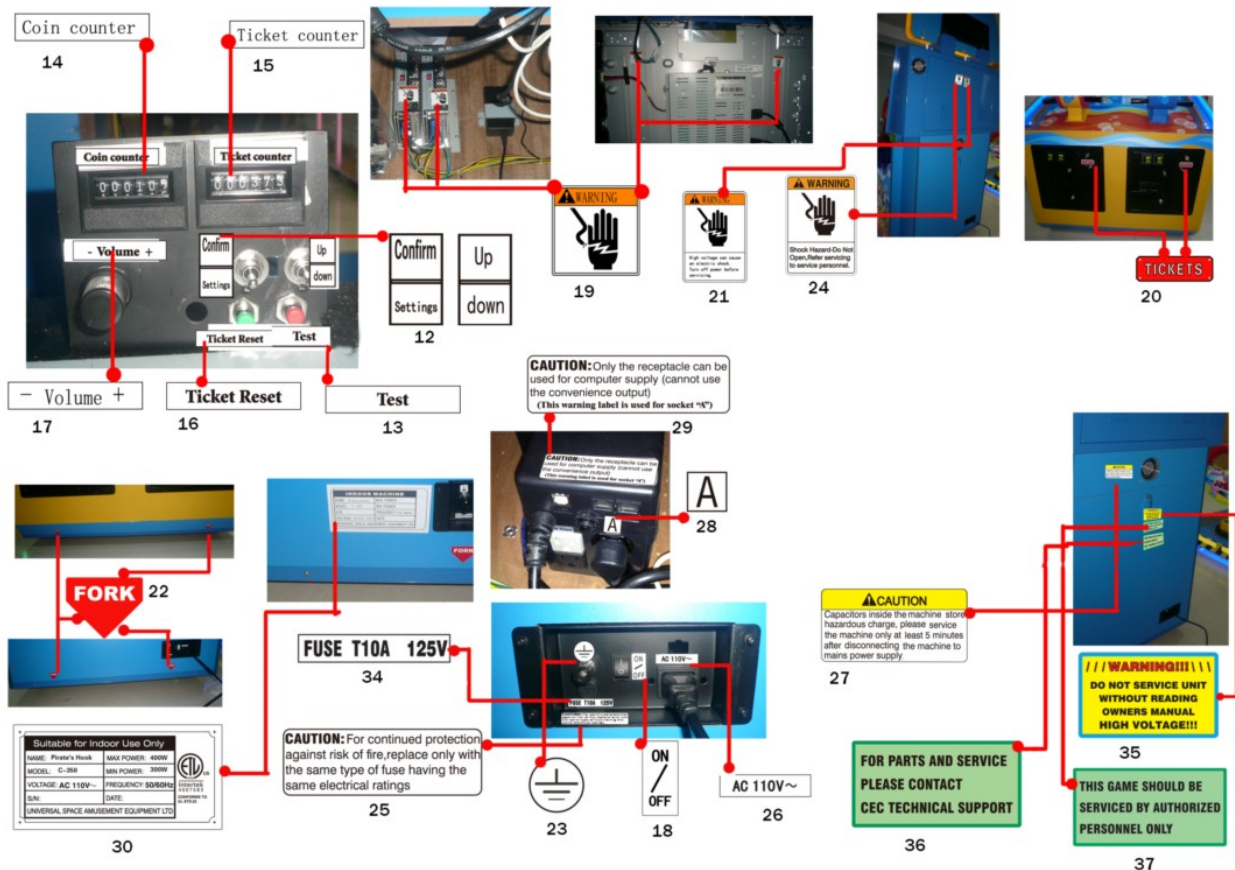
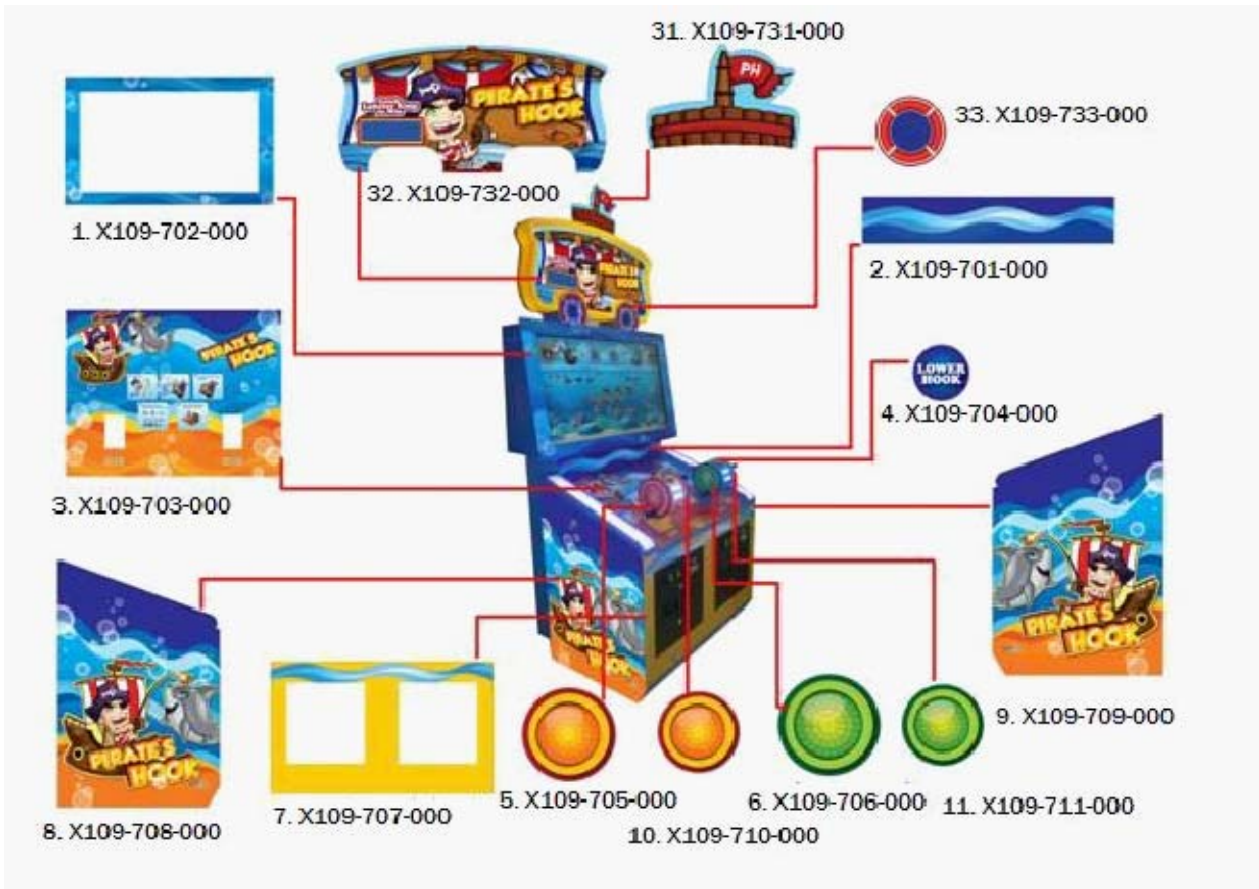


No.	Part No.	Draw No.	Name	Qty
13	X109-421-000	2.14.12.000001	Terminal	1
14	X109-422-000	2.19.02.000006	Fuse base	1
15	X109-423-000	2.19.01.000013	Fuse	1
16	X109-424-000	2.26.01.000005	Small rocker SW	1
17	X109-425-000	2.32.00000001	Filter	1
18	X109-426-000	2.30.00000006	Meter	2
19	X109-427-000	2.25.01.000017	POT	1
20	X109-428-000	2.17.09.000002	POT connecting board	1
21	X109-429-000	2.24.03.000001	POT knob	1
22	X109-430-000	2.26.06.000049	Toggle SW	2
23	X109-431-000	2.24.02.050001	Button	1
24	X109-432-000	2.24.02.030002	Button	1
25	X109-433-000	2.33.01.000001	Power cable	2
26	X109-806-000	29741112001	LED light board	2
27	X109-434-000	2.28.01.000005	Speaker	2
28	X109-486-000	2.27.02.000020	Exhaust fan	2
29	X109-436-000	2.27.02.000010	Exhaust fan net	4
30	X109-437-000	2.12.00000065	LCD monitor	1

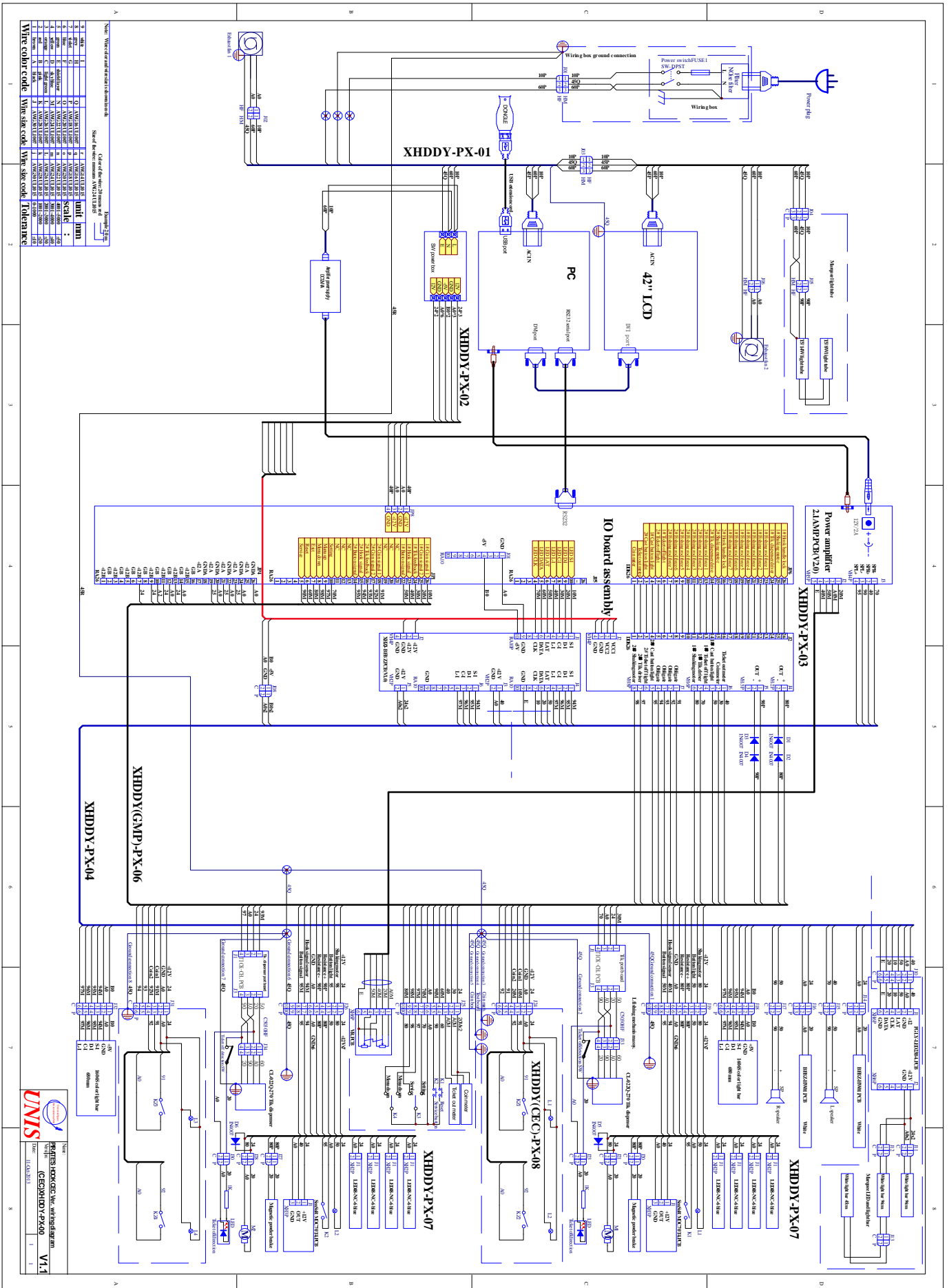


No.	Part No.	Draw No.	Name	Qty
31	X109-438-000	2.22.01.000028	12V white light socket	4
32	X109-439-000	2.20.03.000018	LED plug bulb	4
33	X109-484-000	2.23.01000030	Coin mech.	4
34	X109-485-000	2.31.00000005	Ticket dispenser	2
35	X109-442-000	2.20.03.000075	Red light with base	2
36	X109-443-000	2.20.02.016001	Colorful LED light bar	1.36
37	X109-444-000	2.24.01.000005	Large button	2
38	X109-446-000	2.26.04.000006	Micro SW	2
39	X109-807-000	2.97.4.1122002	LED light board	8
40	X109-885-000	29710701003	Sensor board	2
41	X109-447-000	2.20.02.000037	LED light bar	2
42	X109-886-000	22006000054	T5 energy-saving tube(13W)	1
43	X109-887-000	23301000049	T5 tube connecting cable	1
44	X109-809-000	207.4.11.12.001	PCB	1
45	X109-889-000	22006000056	T5 energy-saving tube(8W)	1
46	X109-451-000	22002000043	LED light bar	1
47	X109-890-000	20241122C005	Tik. Off direction SW bracket	2

9.7 Decals:



No.	Part No.	Code No.	Name	Spec.	Qty.
1	X109-702-000	20541122003	Display frame decal	110×667	1
2	X109-701-000	20541122004	Display frame down decal	830×145	1
3	X109-703-000	20541122005	Control panel decal	830×648	1
4	X109-704-000	20541122006	Button decal	48×48	2
5	X109-705-000	20541122007	L handle decal	190×190	1
6	X109-706-000	20541122008	R handle decal	190×190	1
7	X109-707-000	20541122B009	Door frame decal	100×603	1
8	X109-708-000	20541122B010	Body L-side decal	644×965	1
9	X109-709-000	20541122B011	Body R-side decal	644×965	1
10	X109-710-000	20541122012	Red decal	164×164	1
11	X109-711-000	20541122013	Green decal	164×164	1
12	X109-746-000	20541122C005	Menu decal	18×16	1
13	X109-747-000	20541122 C006	Service button	30×6	1
14	X109-718-000	25600000001	Coin counter	30×6	1
15	X109-719-000	25600000002	Ticket counter	30×6	1
16	X109-720-000	25600000008	Ticket reset label	30×6	1
17	X109-721-000	25600000003	Volume label	30×6	1
18	X109-722-000	25600000016	Power SW label A	12×25	1
19	X109-723-000	25600000036	High voltage warning(Small)	41×42	4
20	X109-727-000	25600000034	Ticket payout label	62x20	2
21	X109-728-000	25600000037	High voltage warning(Large)	62×88	1
22	X109-729-000	25600000035	Fork label	50×40	4
23	X109-734-000	25600000091	New ground connection cable label	12X12	1
24	X109-735-000	25600000085	New high voltage warning(large)	62X88	1
25	X109-736-000	25600000087	Fuse sideward warning	60X20	1
26	X109-737-000	25600000071	New voltage 110V	25X6	1
27	X109-738-000	25600000086	Capacitance discharge warning	100X50	1
28	X109-739-000	25600000088	UPS sideward label	10X10	1
29	X109-740-000	25600000089	UPS warning (A)	70X20	1
30	X109-741-000	20541122C007	Certificated ETL nameplate	135×68	1
31	X109-731-000	20541122023	Small flag decal	345×247	1
32	X109-732-000	20541122024	Marquee decal	1042× 582	1
33	X109-733-000	20541122025	Speaker plastic	202×202	2
34	X109-742-000	25600000083	Fuse 10A/125V	33X6	1
35	X109-748-000	20551104009	Maintenance notice label	100X60	1
36	X109-749-000	25600000043	Maintenance information label 2	100X50	1
37	X109-750-000	25600000042	Maintenance information label 1	100X50	1



UNIS
Pirates Hook CEC, V1.1
CEC/PX-00
V1.1