

# JUMPING FUN

CEC Version



Be Sure  
to Read this  
Manual  
Before Use



## Operation Manual

Distributed by: Amusements Worldwide

[www.amusementsworldwide.com](http://www.amusementsworldwide.com)

Tel: 214-750-9202

SERIAL NUMBER:

DATE OF INSTALLATION:

# CONTENT

Important Safety Instructions .....	2
1. SPECIFICATIONS .....	4
2. PACKAGE CONTENTS .....	5
3. PART NAMES.....	6
4. SET UP & INSTALLATION .....	7
5. HOW TO PLAY .....	10
6. GAME OPTIONS.....	12
7. MAINTENANCE, INSPECTION.....	14
8. OVERALL CONSTRUCTION .....	15
9. IO CHART.....	22



## **WARNING**

Non-technical personnel who do not have technical knowledge and Expertise should refrain from performing such work that this manual require or perform tasks which are not explained in this manual. Failing to comply can cause severe accidents such as electric shock or other serious injuries. All repairs must be performed to original manufacturer specifications.

**WARNING: To reduce the risk of fire, electric shock or personal injury, unplug or disconnect the machine from the power supply before servicing.**

Thank you for purchasing **Jumping Fun**. We hope you enjoy the product.

This manual contains valuable information about how to operate and maintain your game machine properly and safely. It is intended for the owner and/or personnel in charge of product operation. Carefully read and understand the instructions.

If you need any help during installation and setup please utilize this manual and troubleshooting guide. If the product fails to function properly, *non-technical personnel should under no circumstance attempt to service the machine*. Contact your distributor or manufacturer for help. Before use, please read **IMPORTANT SAFETY INSTRUCTIONS**.

## **IMPORTANT SAFETY INSTRUCTIONS**

**To ensure the safe usage of this product, carefully read and understand these instructions before operating your game. Save these instructions for future reference.**

Use this product only as described in this manual. Other uses not recommended may cause fire, electric shock or personal injury. Unplug the game from the outlet when not in use, when moving from one location to another, and before cleaning/servicing.

Explanations which require special attention are indicated by signs of warning. Depending on the potential hazardous degree, the terms: **NOTE**, **NOTICE**, and **WARNING** are used.

**NOTE:** A NOTE indicates useful hints or information about product usage.

**NOTICE:** A NOTICE indicates potential damage to product and how to avoid the problem.

**WARNING:** A WARNING indicates a potential for product damage or serious personal Injury.

It is important to understand the meaning of the following HAZARD SIGNS before continuing:

### **High Voltage and Shock Hazard:**

High voltage can cause electric shock.  
Turn off/unplug power before servicing.



### **High Temperature Hazard:**

This part may cause scalding.  
Do not touch. Surface may be hot.



### **No Touching Hazard:**

This part may be hot or can cause electric shock.  
Do not touch.



Use the following safety guidelines to help ensure your own personal safety and to help protect your equipment and surrounding environment from potential damage.

 **This product is an indoor game machine. Do not install outdoors.**

Avoid installing in the following places to prevent fire, electric shock, injury and/or machine malfunctioning:

- Places subject to rain/moisture, or places subject to high humidity.
- Places subject to direct sunlight, or places subject to extremely hot or cold temperatures to ensure that it is used within the specified operating range.
- Places where inflammable gas may be present or in the vicinity of highly inflammable/volatile chemicals or items that can easily catch fire
- On unstable or sloped surfaces. The machine may topple or cause unforeseen accidents.
- Vicinity of fire exits, fire extinguishers etc that may block/prevent safety measures

**IMPORTANT NOTE:**

**ALL REPAIRS MUST BE DONE TO ORIGINAL MANUFACTURER SPECIFICATIONS.  
FAILURE TO DO SO VOID ALL WARRANTIES AND OPERATOR ASSUMES ALL RISKS.**

Note: The contents of this manual may be updated without notice

# 1. SPECIFICATIONS


Rated power supply: 110V, 50/60Hz

Min. Power consumption: 418W

Max. Power consumption: 600W

Dimensions: **W926×D1528×H2156 (mm)**

Weight: Approximately 180KG

 **NOTICE:** After turning off the game, please wait at least 1 minute before restarting again.




**Note:** Game parameters are subject to change without notice.

## 2. PACKAGE CONTENTS

Open the package and make sure all the items are included:

- 1 x Body Assembly
- Following accessories

No.	Part No.	Draw No.	Name	Qty	Illustration
1	J116-426-000	23301000001	Power cord	1	
2	J116-449-000	21901000013	Fuse	1	
3	J116-428-000	25300000104	Key	2	
4	J116-701-000	41441105001	Manual	1	
5	J116-429-000	41300000003	Memory Stick	1	

If any items are found to be missing, please contact your sales representative for help immediately.

Warranty: Universal Space provides 90 days warranty for all electrical and mechanical components, when used under normal operating conditions. Any modification or abuse of these items immediately voids the warranty. Graphic and consumable items are exempt from any warranty.

**NOTE:** Part models are subject to change without notice.

### 3. PART NAMES



## 4. SET UP & INSTALLATION

**⚠ This product is an indoor game machine. Do not install outdoors.**

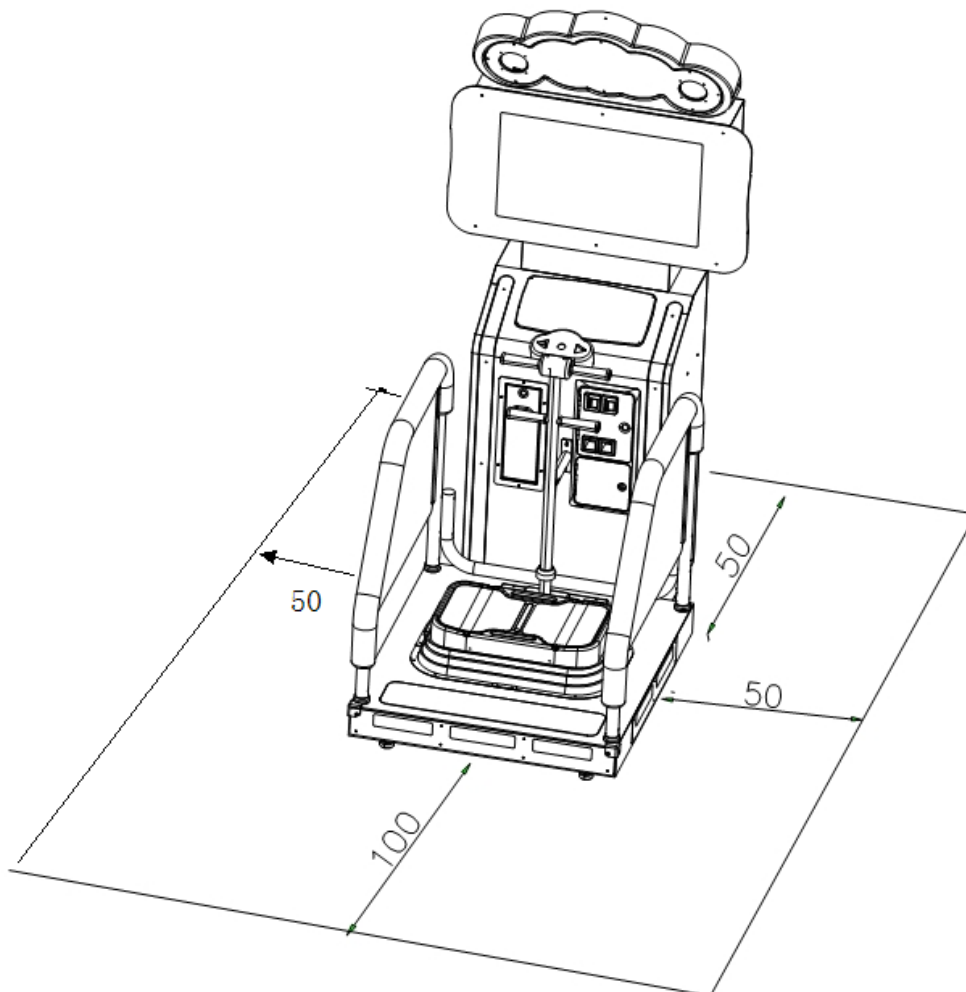
- Refer to IMPORTANT SAFETY INSTRUCTIONS (Pg. 2) for places to avoid
- Place the unit on a dry level surface
- Ventilation openings in the back of the unit must not be obstructed by objects or by wall.

### 4.1 Play Zone

This machine requires space for playing and for maintenance as shown below.

Service area: 100cm

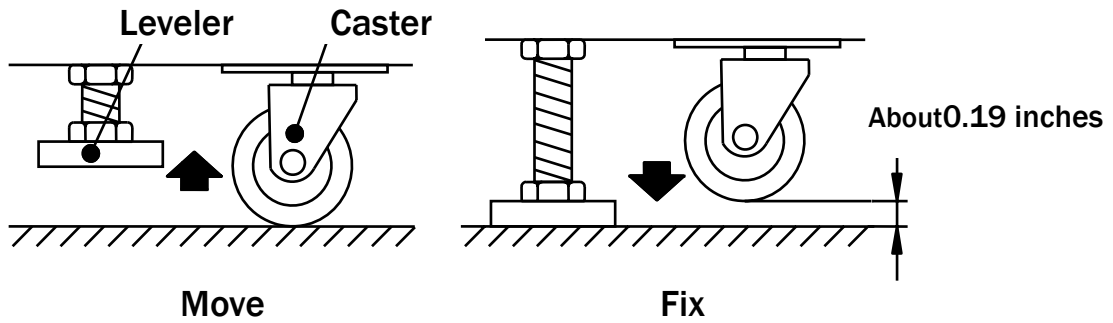
Play area: 100cm



## 4.2 Level Adjustment

Install this machine on a flat surface. Adjust levers to lift casters off the ground to level the game. If the game is installed on an unsuitable floor, it could cause game malfunction.

To secure the game, adjust the Leveler down until it touches the floor, lifting the casters off the ground by 5mm. Repeat the same for all levelers.

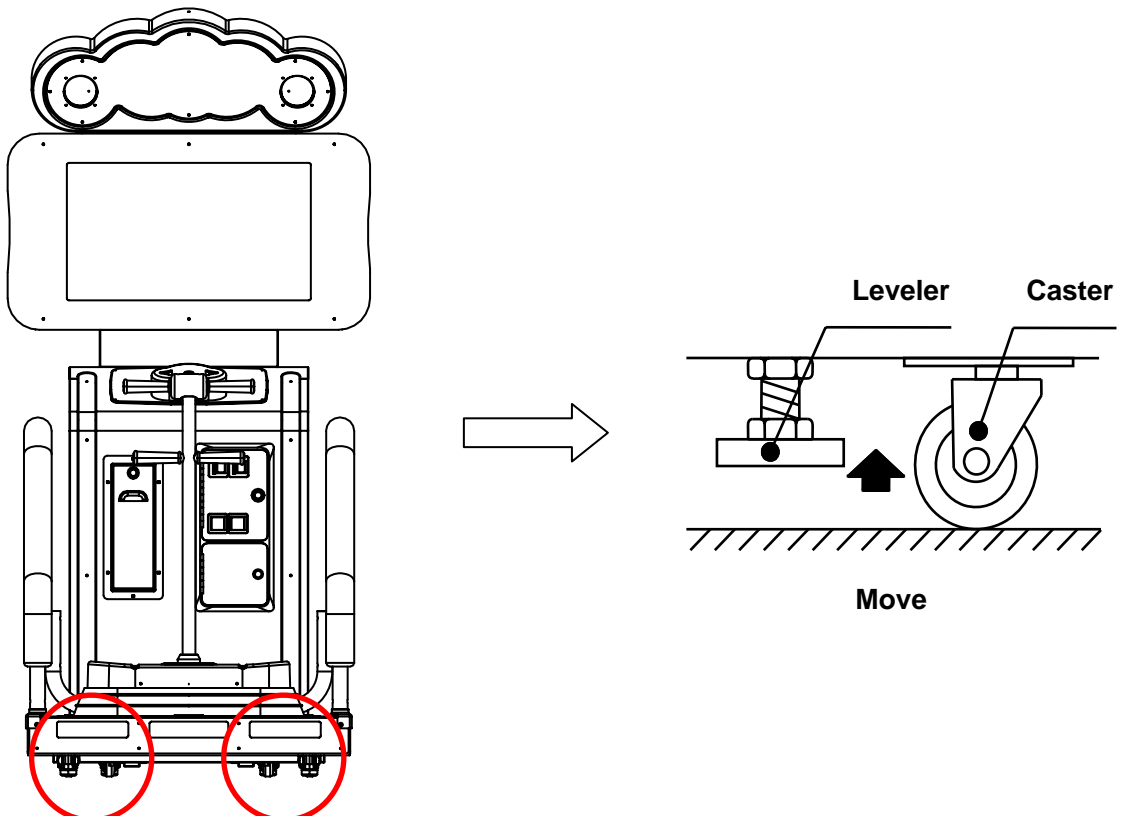


**! NOTICE**

Make sure the machine is level with the ground and all the adjustable legs should stick to the floor closely.

## 4.3 Transporting the Game

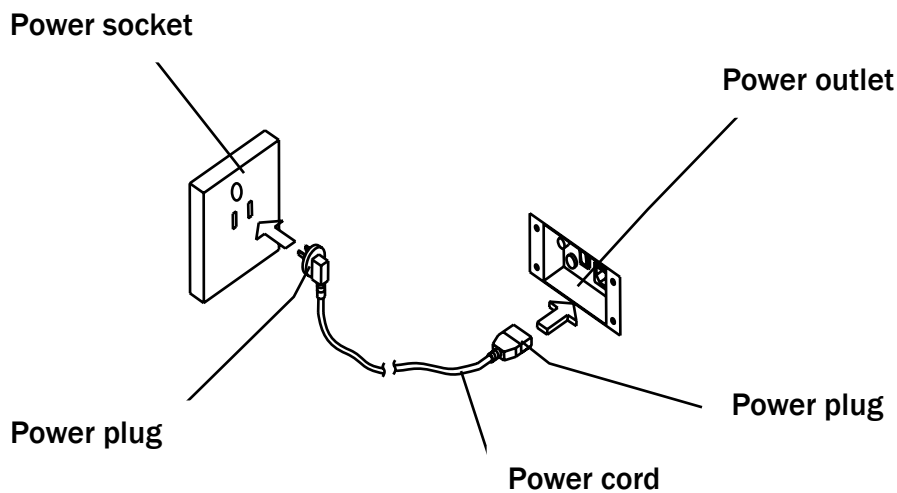
If you need to move the game, adjust the levelers back to an “up” position so the casters touch the ground.



## 4.4 Connecting Power

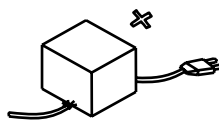
**! WARNING:** Check the voltage rating before you connect the equipment to an electrical outlet to ensure that the required voltage and frequency match the available power source. Please refer the label of the machine.

- Do not plug the equipment power cables into an electrical outlet if the power cable is damaged.
- Avoid putting many loads on one electrical outlet as it could generate heat and fire resulting from overload.
- Connect the grounding conductor to the earth terminal (GND):

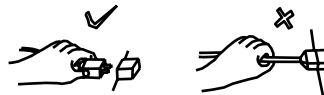


**! WARNING**

Ensure no heavy objects rest on the power cord. Check to make sure the game cabinet does not sit on the power cord as this could damage the cord and become hazardous.



To disconnect the game, grip the plug and pull it from the wall outlet. Never pull by the cord.



To prevent electric shock, do not touch the power plug when hand is wet.



Ensure that nothing rests on the power cord and that it is not located where it can be stepped on or tripped over.



## 5. HOW TO PLAY

### 5.1 Demo screen shot.



### 5.2 Put the credit in, the game starts with a LOADING screen.



### 5.3 Auto select the character and select the track.



### 5.6 Start the game.



## 6. GAME OPTIONS

**Main Menu**

Game option  
 statistics  
 Input test  
 Output test  
 Restore default setting  
 Language English/中文  
 Save and exit  
 Exit & Without Saving

### 6.1 Game Options:

1-3	Coins/Game
Free play	ON/OFF
Circles	1-3 lap
Time setting (s)	40-60s / Circle
Volume	0.1-1.0
Attract Sound	On/Off
Link Mode	On/Off
Char. Selection	Auto/Manual
Track Selection	Auto/Manual
Ticket Mode	On/Off
1st Ticket(s)	0-50
2nd Ticket(s)	0-50
3rd Ticket(s)	0-50
4th Ticket(s)	0-50
Config Net After Restart	On/Off
Exit	

### 6.2 Statistics:

**Statistics**

Coins In: 6  
 Coins Out: 4  
 Clear Data  
 Exit

### 6.4 Output test:

Ticket payout test	ON/OFF
Speaker test	ON/OFF
Display test	ON/OFF
Platform Lock Test	ON/OFF
Exit	

### 6.3 Input test:

Platform position test L	ON/OFF
Platform position test R	ON/OFF
Platform position test M1	ON/OFF
Platform position test M2	ON/OFF
Platform position test M3	ON/OFF
Platform position test M4	ON/OFF
Platform position test M5	ON/OFF
Platform position test M6	ON/OFF
Insert coin test	ON/OFF
Ticket payout reset	ON/OFF
Ticket payout Feedback	ON/OFF
Test button	ON/OFF
Platform Position Locked	ON/OFF
Platform Position UnLocked	ON/OFF
Exit:Press Reset Button 3 Times	

## 7. MAINTENANCE & INSPECTION

### 7.1 Safety Check

Check the points listed before operating the machine. These checks are necessary for safe machine operation:

1. Try to run the game before operation each day.
2. Conduct monthly routine checks of game components ensure good working condition
3. Check the machine regularly for dust and clean when necessary.

**Note:** Parts and components require preventative maintenance to be kept running smoothly

### 7.2 Handling Precautions

When installing or inspecting the machine, be very careful of the following points and pay attention to ensure that the player can enjoy the game safely.

Non-compliance with the following points or inappropriate handling running counter to the cautionary matters herein stated can cause personal injury or damage to the machine

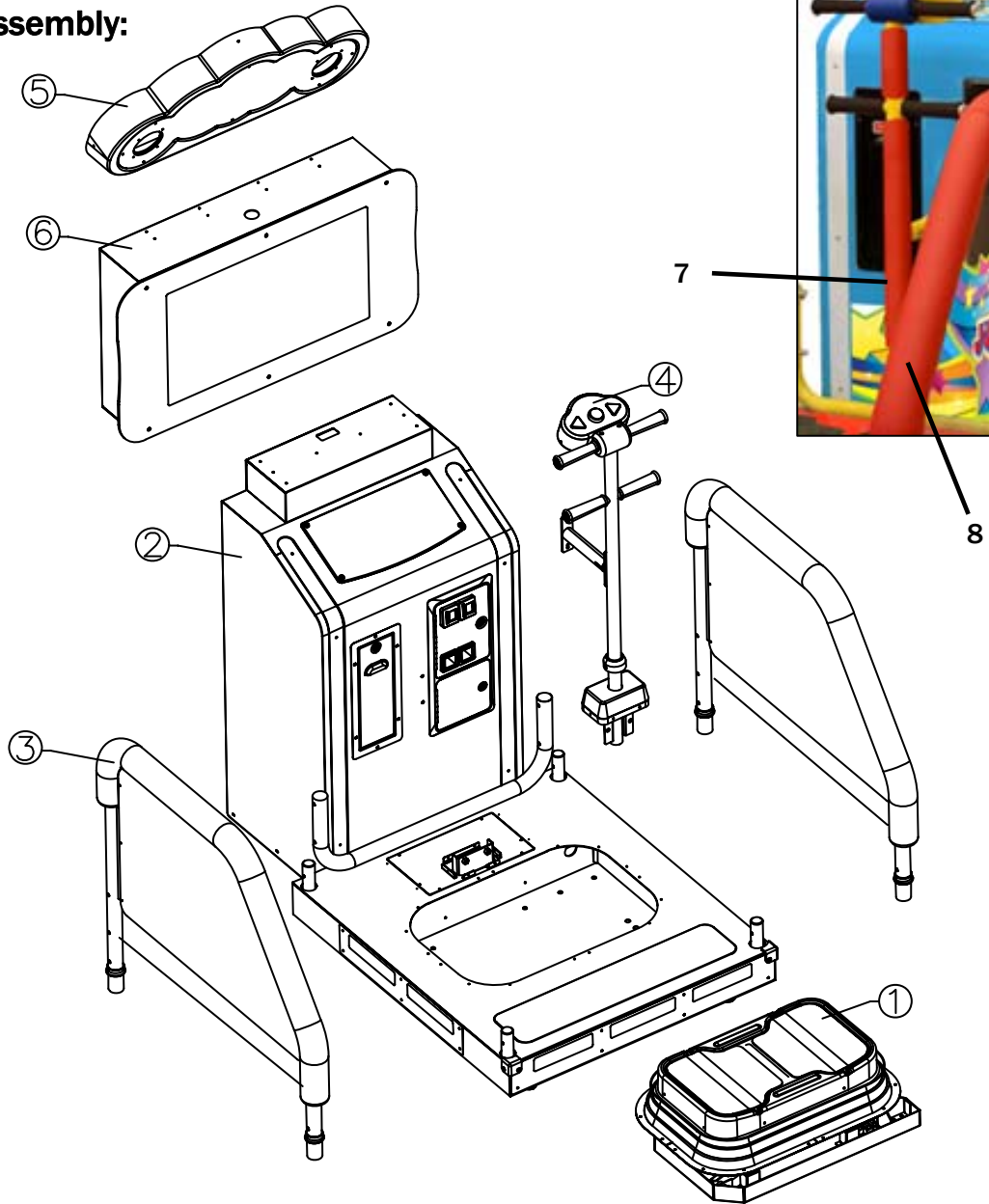


#### WARNING

- Before servicing the machine, be sure to turn power off. Servicing without turning the power off can cause electric shock or short circuit.
- To avoid electric shock or short circuit, do not plug then unplug the power quickly
- Do not expose power cords and earth wires, these are susceptible to damage.
- Damaged cords and wires can cause electric shock or short circuit and should be replaced immediately.
- When or after installing the product, avoid pulling the power cord to prevent unnecessary wear and tear. Use the power button to disconnect power.
- In case the power cord is damaged, ask for replacement through where the product was purchased from or replace locally. Continued usage of damaged cord can cause fire, electric shock or leakage.
- Perform grounding appropriately. Inappropriate grounding can cause electric shock.
- Use fuses that meet specified rating. Fuses exceeding can cause an electric shock.
- Should a problem occur, turn off the power immediately and stop operating the machine. Unplug the power cord of the service outlet. Operating the machine without correcting the problem may cause a fire or injuries.
- Insert the power plug securely into the outlet. Poor contact may cause overheating, resulting in fire or burns.
- To ensure the warning labels attached on the machine are visible and legible, install the machine in a well-lit location, and keep the labels clean at all times. Make sure the labels are not hidden behind other game machines.

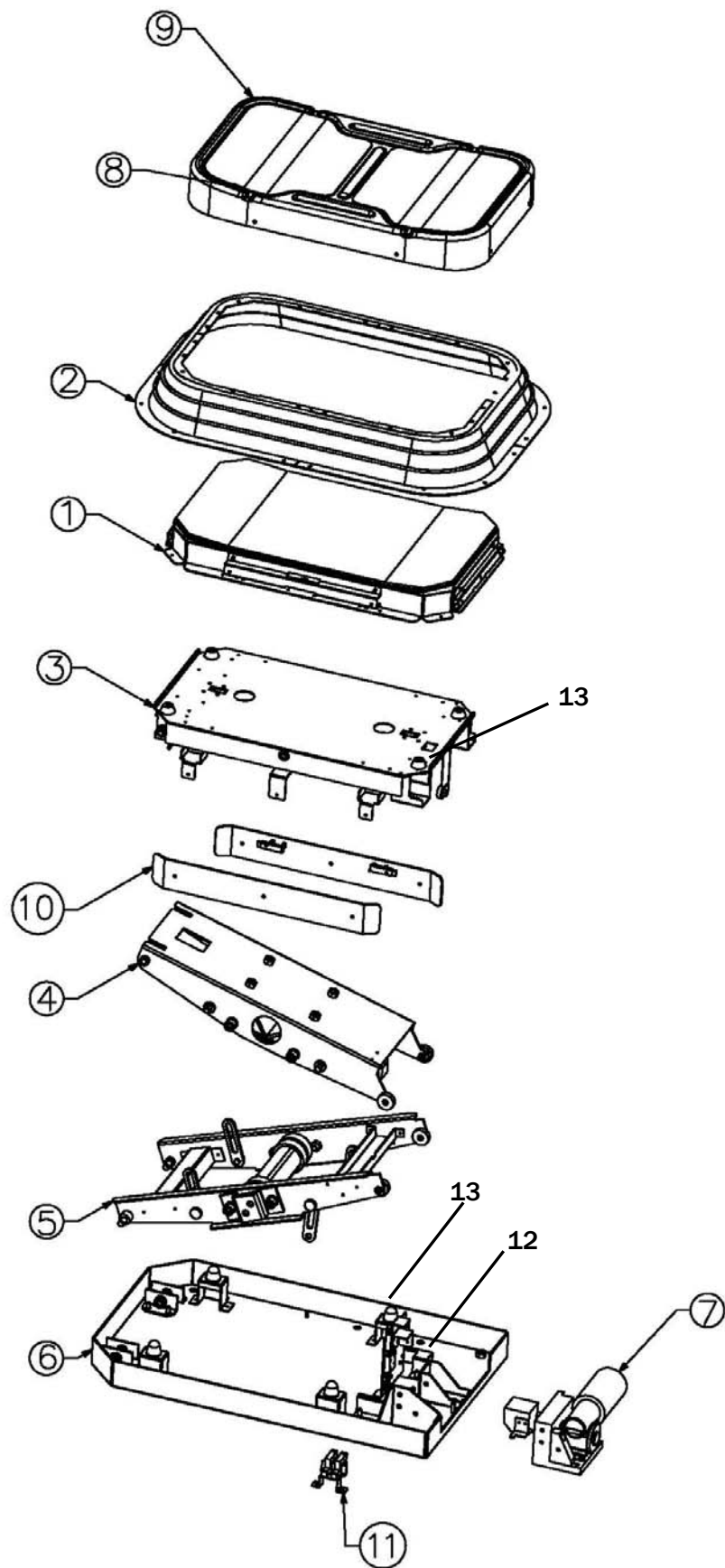
## 8. OVERALL CONSTRUCTION

### 8.1 Main Assembly:



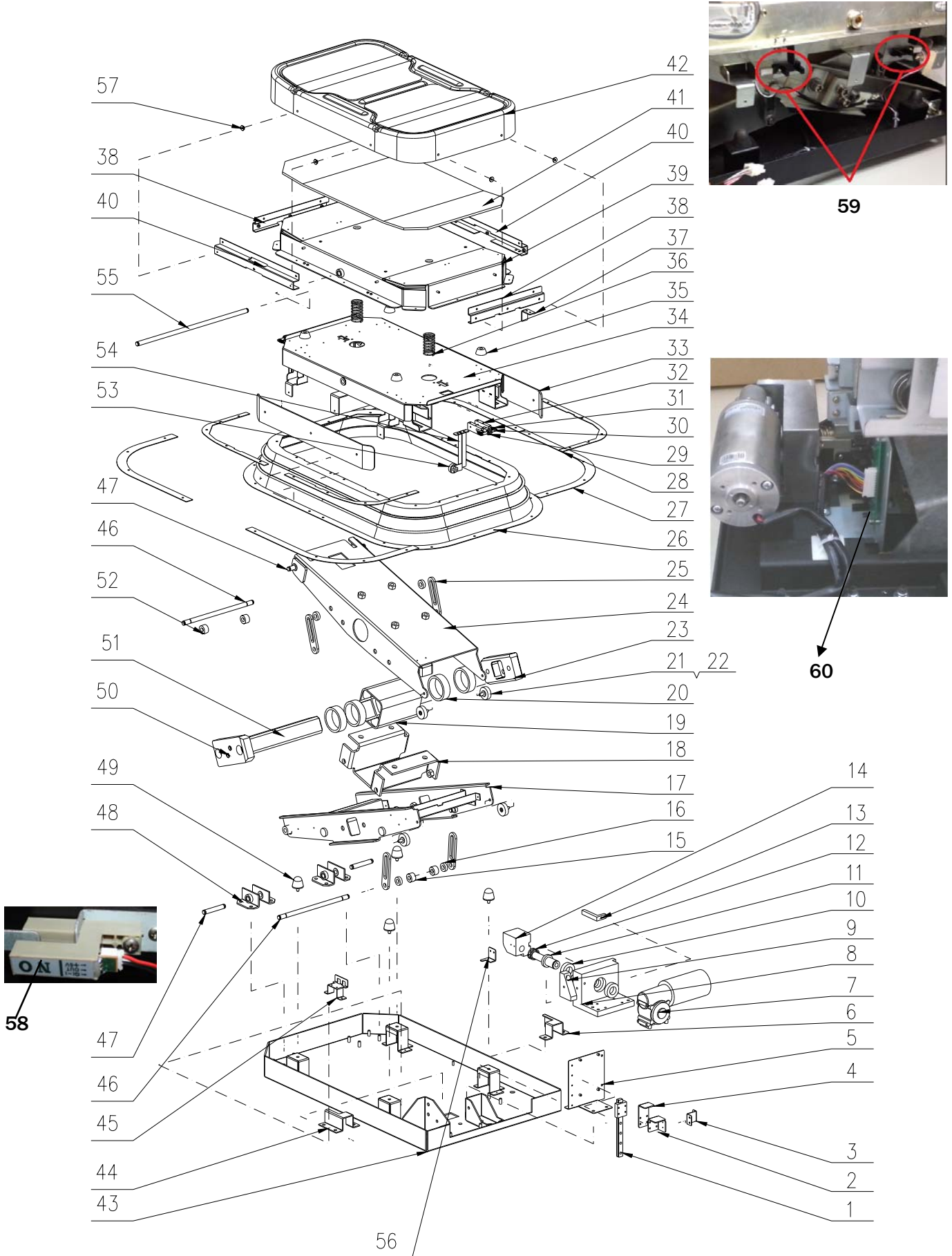
No.	Part No.	Code	Name	Qty
1	J116-001-000	29941105001	Platform Assembly	1
2	J116-002-000	29941105002	Cabinet Assembly	1
3	J116-003-000	29941105003	Guardrail Assembly	1
	J116-010-000	29941105007A	Right guardrail assy.	1
4	J116-004-000	29941105004	Handrail Assembly	1
5	J116-005-000	29941105005	Marquee	1
6	J116-006-000	29941105006	Display cabinet	1
7	J116-601-000	20641105025	Handrail Red foam	1
8	J116-191-000	20641105015	Guardrail foam	2

### 8.2 Platform Assembly1:



<b>No.</b>	<b>Part No.</b>	<b>Code</b>	<b>Name</b>	<b>Qty</b>
1	J116-112-000	29941105011	Jumping frame balance seat	1
2	J116-102-000	29941105012	Jumping frame cover	1
3	J116-103-000	29941105010	Jumping frame_up	1
4	J116-105-000	29941105008	Jumping frame -1	1
5	J116-104-000	29941105009	Jumping frame -2	1
6	J116-106-000	29941105007	Jumping frame base	1
7	J116-107-000	29941105013	Stop Assy.	1
8	J116-108-000	20641105006	Pedal cover plastic	2
9	J116-109-000	20641105005	Pedal cover	1
10	J116-195-001	20641105007	Protective plate	2
11	J116-111-000	20241105051	Infrared fixed seat	1
12	J116-013-000	29941105014	Strength detected assy.	1
13	J116-012-000	29941105016	Home position assy.	1

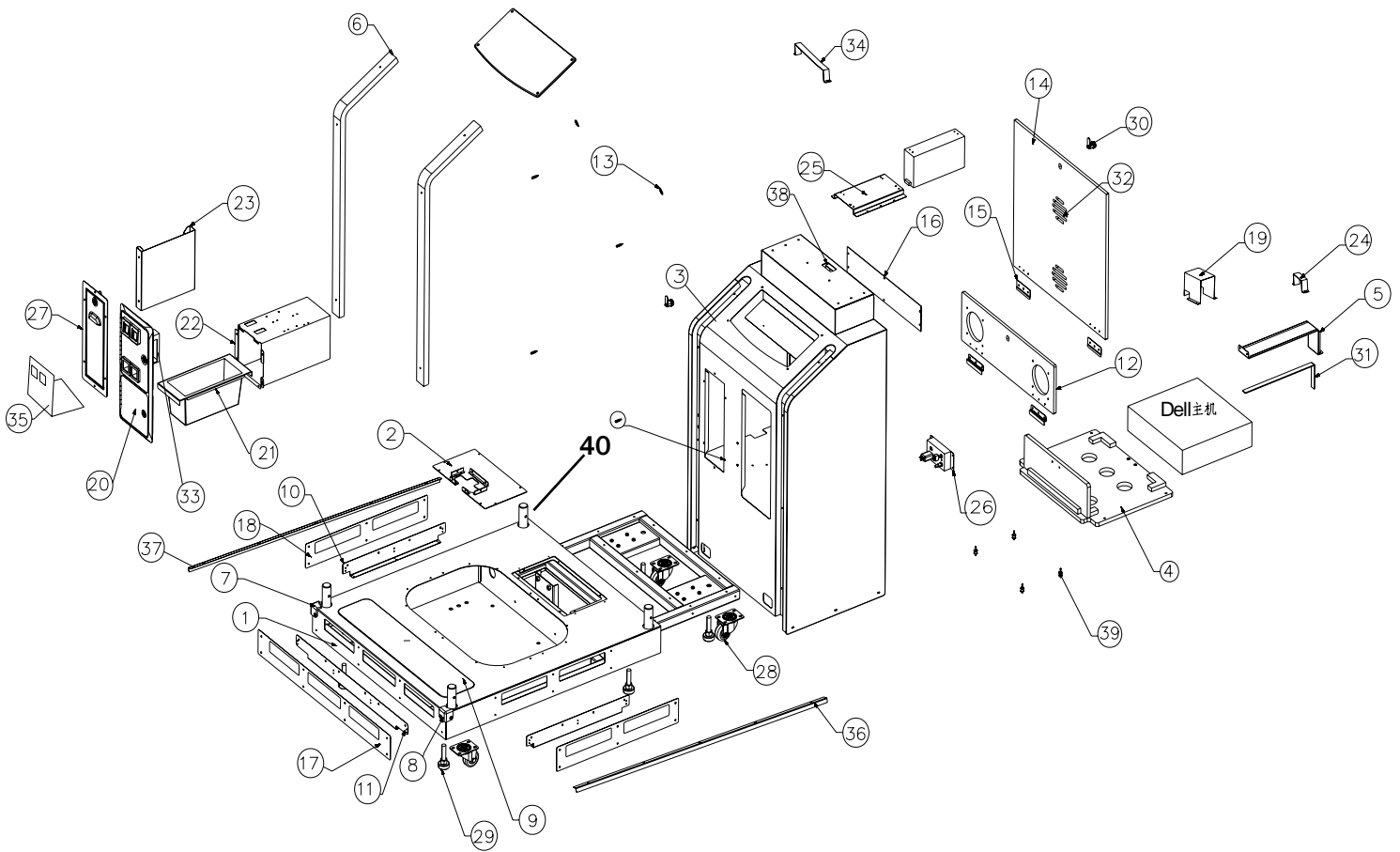
## 8.2 Platform Assembly2:



No.	Part No.	Code	Name	Qty.
1	J116-150-000	20841105001	Strength detected rail	1
2	J116-155-000	20241105004	Bearing wheel baffle -1	1
3	J116-156-000	20241105006	Strength detected baffle	1
4	J116-157-000	20241105005	Bearing wheel baffle -2	1
5	J116-158-000	20241105007	Strength detected seat plate	1
6	J116-159-000	20241105003	Bottom wheel slideway-2	1
7	J116-410-000	23404000055	Gear motor	1
8	J116-160-000	20241105046	Fixed seat	1
9	J116-161-000	20241105049	Connected piece	1
10	J116-411-000	20106120002	One way bearing	2
11	J116-162-000	20241105045	Screw	1
12	J116-412-000	20241105126	Stop spring	1
13	J116-163-000	20241105124	Guide slide piece	1
14	J116-164-000	20241105044	Stop block	1
15	J116-418-000	20241105139	Connecting shaft sleeve	4
16	J116-137-000	20641105002	Control panel cover	4
17	J116-007-000	20241105013	Bounce bracket	1
18	J116-165-000	20241105108	Cushion fixed plate	1
19	J116-420-000	20641105B001	Cushion	1
20	J116-166-000	20241105012	Limited position ring	4
21	J116-422-000	20241105014	Bearing wheel	4
22	J116-427-000	20106000020	Deep groove ball bearing	4
23	J116-167-000	20241105010	Spacer block fixed plate-2	1
24	J116-168-000	20241105017	Bounce bracket -2	1
25	J116-169-000	20241105015	Rod	4
26	J116-170-000	20641105004	Protected cover	1
	J116-352-000	20241105123	Bead ring -1	1
	J116-311-000	20241105041	Bead ring -2	1
27	J116-171-000	20241105042	Protected cover bottom plate	4
28	J116-172-000	20241105043	Protected cover bottom plate	4
29	J116-428-000	20106000302	Deep groove ball bearing	4

No.	Part No.	Code	Name	Qty.
30	J116-430-000	20241105028	Home position shaft bearing	2
31	J116-431-000	20241105114	Home position spring	4
32	J116-173-000	20241105027	Home position seat	4
	J116-183-000	20241105140	Home position fixed plate	2
33	J116-195-000	20641105007	Protective plate	2
34	J116-008-000	20241105105	Bounce bracket	1
35	J116-432-000	20841105003	Damping leg -2	4
36	J116-433-000	20241105116	Balance spring	2
37	J116-174-000	20241105038	Balance sensor plate	2
38	J116-175-000	20241105121	Balance baffle 1	2
39	J116-009-000	20241105102	Balance seat plate	1
	J116-182-000	20241105141	Balance seat plate E	1
40	J116-176-000	20241105122	Balance baffle 2	2
41	J116-434-000	20641105003	Bounce assy pad	1
42	J116-109-000	20641105005	Pedal cover	1
	J116-108-000	20641105006	Pedal cover plastic	1
43	J116-129-000	20241105001	Host holder	1
44	J116-177-000	20241105002	Bottom wheel slideway-1	1
45	J116-111-000	20241105051	Infrared fixed seat	1
46	J116-435-000	20241105109	Connected rod	2
47	J116-436-000	20241105016	Upper shaft pin	4
48	J116-178-000	20241105008	Bottom fixed plate	4
49	J116-437-000	20641105001	Damping leg -1	4
50	J116-179-000	20241105009	Spacer block fixed plate-1	1
51	J116-152-000	20241105011	Square iron	1
53	J116-438-000	20106100139	Nylon bearing wheel	1
54	J116-439-000	20241105115	Slide seat	1
55	J116-440-000	20241105039	Balance shaft	1
56	J116-180-000	20241105125	Sensor block piece -2	1
57	J116-446-000	20641105027	Shockproof rubber	8
58	J116-444-000	21503000021	Sensor	1
59	J116-445-000	21503000044	Sensor SW	1
60	J116-810-000	20741105001	Strength Board	1

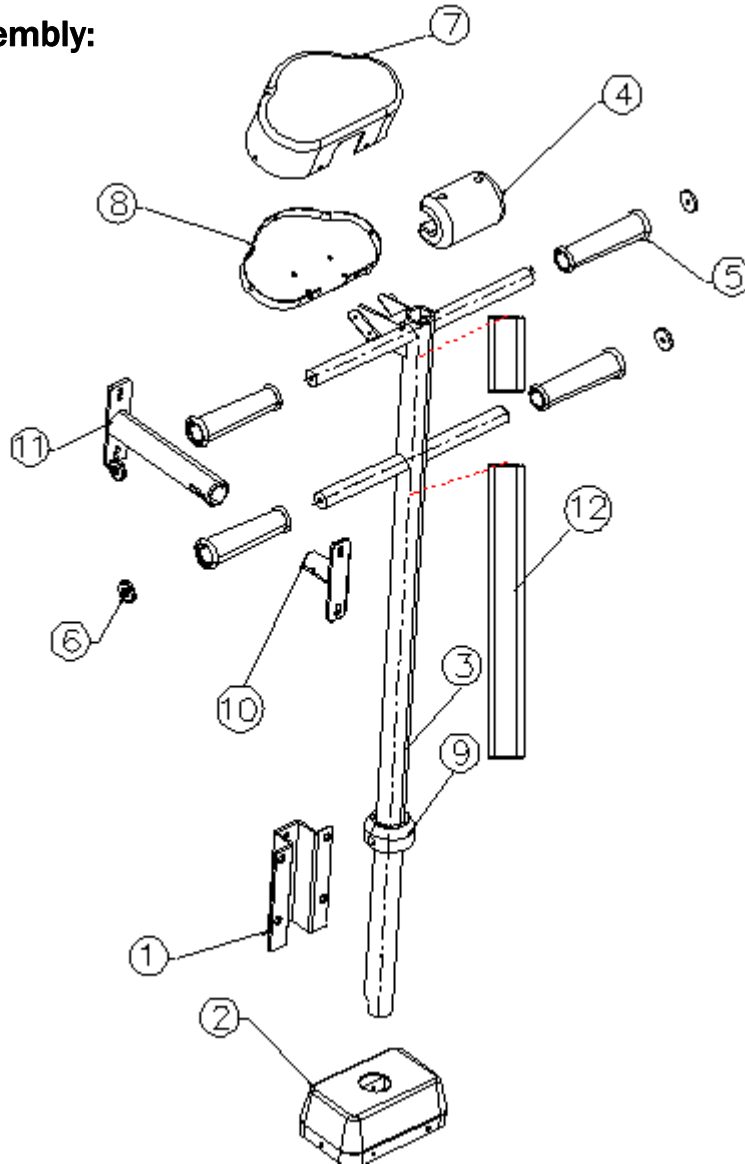
### 8.3 Base & Cabinet Assembly:



No.	Part No.	Code	Name	Qty
1	J116-341-000	20241105103	Base	1
2	J116-128-000	20241105067	Handrail Cover	1
3	20241105104	20241105104	Back cabinet	1
4	J116-501-000	20341105001	Host plate	1
5	J116-330-000	20241105076	PC fixed bracket	1
6	J116-101-000	20641105008	Lampshade	2
7	J116-126-000	20641105009	L_Angle (front)	1
8	J116-127-000	20641105010	R_Angle (front)	1
9	J116-125-000	20641105011	Non-slip glue	1
10	J116-127-000	20641105012	Side light fixed board	2
11	J116-122-000	20641105013	Light fixed board(front)	1
12	J116-358-000	20241105A003	Back cabinet bottom door	1
13	J116-441-000	20841105004	Light cover support pole	8
14	J116-357-000	20241105A002	Back cabinet upper door	1
15	J116-151-000	20241105077	Door stopper(up)	2

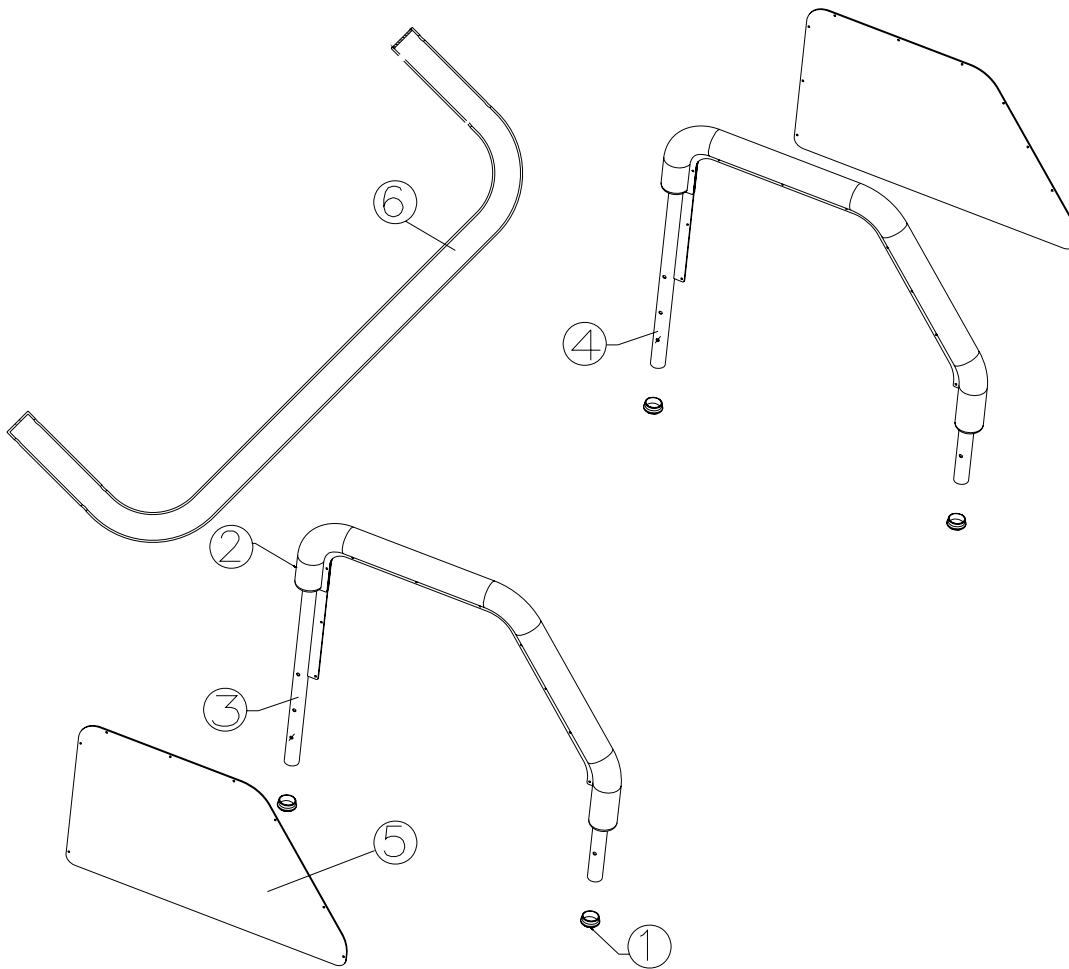
No.	Part No.	Code	Name	Qty
16	J116-131-000	20241105078	Handrail	1
17	J116-711-000	20541105001	Base decal (front)	1
18	J116-712-000	20541105002	L&R side decal	2
19	J116-184-000	20241105134	SW power box cover	1
20	J116-401-000	26000016000	Coin door	1
21	J116-113-000	26000025000	Coin inner box_	1
22	J116-114-000	26000026000	Coin outer box_	1
23	J116-480-000	26000006000	Ticket box	1
24	J116-117-000	20241105080	Adapter bracket	1
25	J116-116-000	26000001000	SW power box support	1
26	J116-402-000	20241105081	Wire box support	1
	J116-802-000	20241105137	Wine box cover	1
	J116-803-000	20241105136	Wine box	1
27	J116-401-000	26000016000	Coin door	1
28	J116-403-000	25501000056	2.5"caster	4
29	J116-124-000	26000009000	2.5"leveler	6
30	J116-404-000	25300000104	C582 key	5
31	J116-190-000	20641105014	PC pad	1
32	J116-188-000	26000014000	Shutter	1
33	J116-425-000	22301000030	Coin mech	1
34	J116-331-000	20241105082	Backup power plate	1
35	J116-479-000	26000002000	Counter plate	1
36	J116-356-000	20241105131	Decal metal plate1	1
37	J116-154-000	20241105130	Decal metal plate2	1
38	J116-154-000	20241105068	Back cabinet A	1
	J116-324-000	20241105069	Back cabinet B	1
	J116-325-000	20241105070	Back cabinet C	1
	J116-326-000	20241105071	Back cabinet D	1
	J116-327-000	20241105072	Back cabinet E	1
	J116-328-000	20241105073	Back cabinet F	1
39	J116-130-000	26000040000	5mm Screw pad	10
40	J116-343-000	20241105106	Mechanism bracket	1
	J116-123-000	20241105107	Cabinet shell	1

**8.4 Handrail Assembly:**



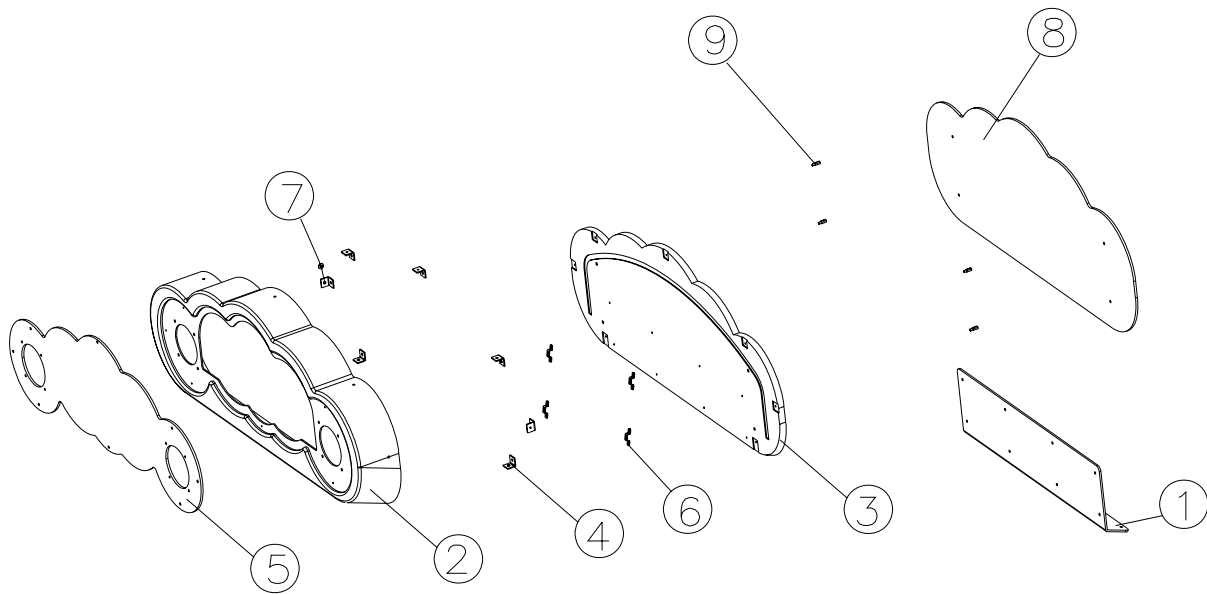
No.	Part No.	Code	Name	Qty
1	J116-132-000	20241105086	Handrail snap-gauge	1
2	J116-141-000	20641105017	Handrail cover(down)	1
3	J116-333-000	20241105087	Handle bar	1
4	J116-138-000	20641105018	Handrail cover(up)	1
5	J116-139-000	20641105019	Handrail	4
6	J116-140-000	20241105088	Handrail block	4
7	J116-192-000	20641105020	Control panel cover	1
8	J116-136-000	20241105089	Control panel cover plate	1
9	J116-133-000	20241105090	Handrail sheath	1
10	J116-134-000	20241105091	Strengthen seat-1	1
11	J116-135-000	20241105092	Strengthen seat-2	1
12	J116-601-000	20641105025	Handrail Red foam	1

### 8.5 Guardrail Assembly:



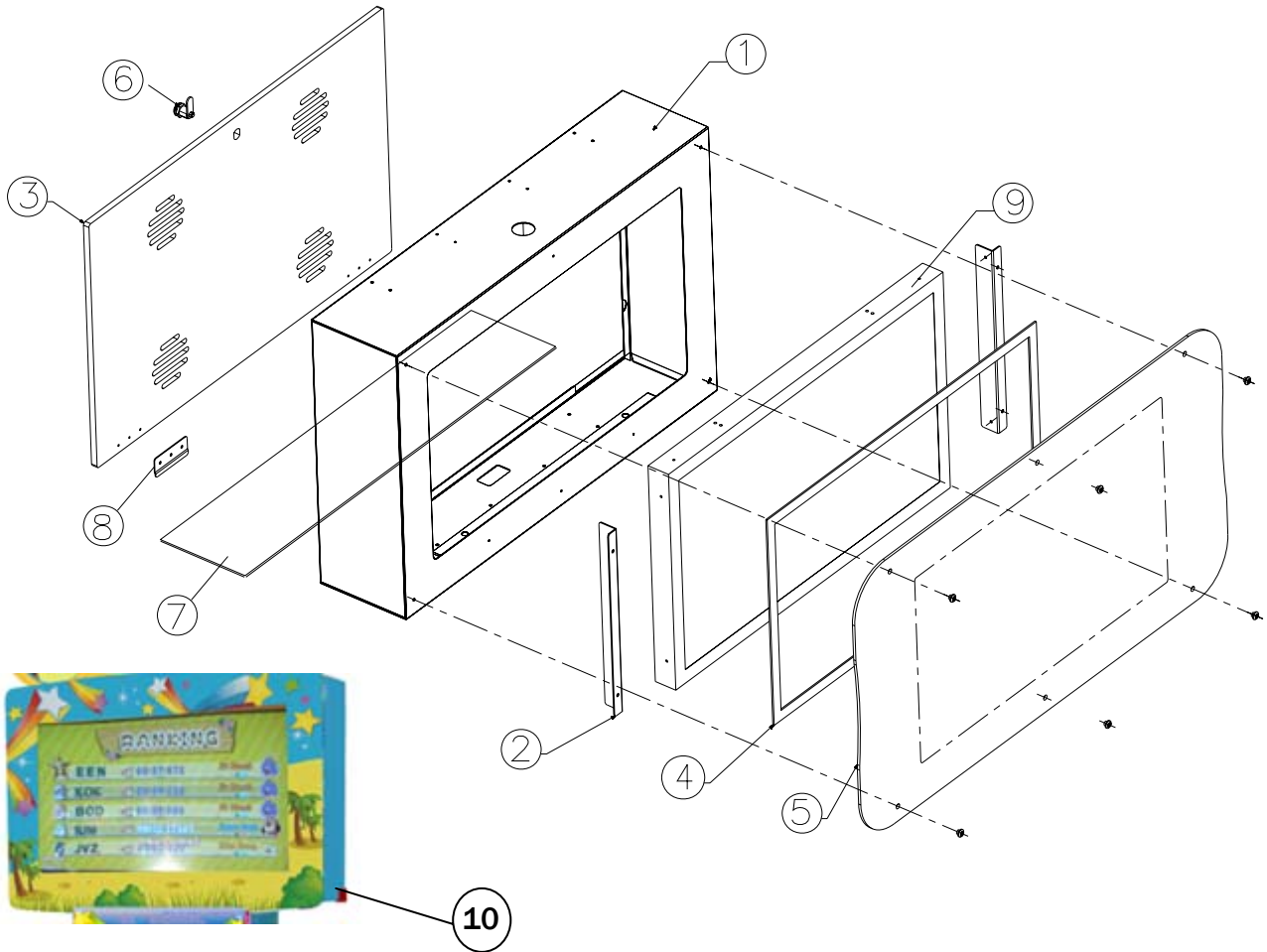
No.	Part No.	Code	Name	Qty
1	J116-143-000	20241105083	Guardrail sheath	4
2	J116-332-000	20241105084	Guardail tube	2
3	J116-142-000	29941105023	Guardrail	1
4	J116-359-000	20241105A005	Guardrail_R	1
5	J116-144-000	20641105016	Guardrail drawing board	2
6	J116-145-000	20241105085	Guardrail Strengthen tube	1

**8.6 Marquee Assembly:**



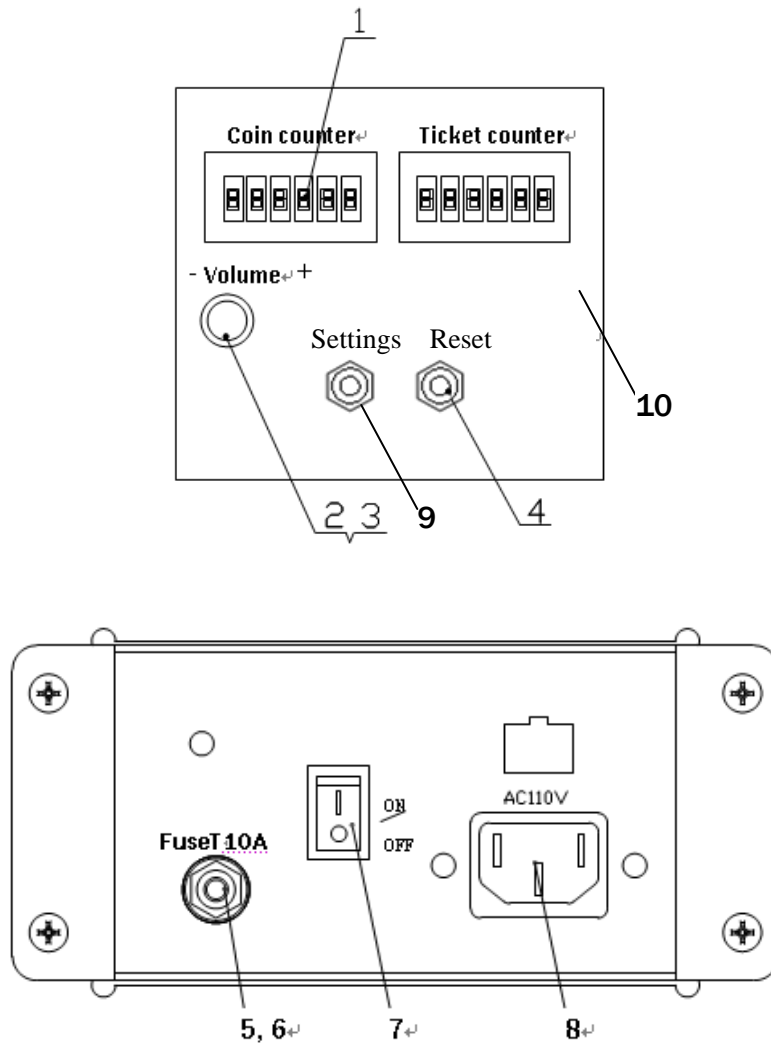
No.	Part No.	Code	Name	Qty
1	J116-146-000	20241105093	Marquee holder	1
2	J116-149-000	20641105021	Marquee plastic	1
3	J116-147-000	20341105A003	Marquee Liner	1
4	J116-148-000	20241105094	Marquee leveler	7
5	J116-703-000	20541105005	Marquee decal	1
6	J116-334-000	20241105095	Light bar fixed plate	4
7	J116-193-000	20641105023	PU washer	17
8	J116-709-000	20541105018	Marquee rear decal	1
9	J116-305-000	20108020005	Hexagon nut pole	4

**8. 7 Display Cabinet Assembly:**



No.	Part No.	Code	Name	Qty
1	J116-006-000	29941105006	Cabinet	1
2	J116-340-000	20241105101	Display LnR fixed block	2
3	J116-503-000	20241105A004	Door board	1
4	J116-153-000	20641105022	Foam pad	1
5	J116-704-000	20541105004	Display decal	1
6	J116-470-000	25300000004	C582 LOCK	1
7	J116-130-000	26000040000	5mm Screw pad	6
8	J116-194-000	20641105024	Display pad 2	1
9	J116-406-000	21201032007	32" display	1
	J116-181-000	20241105145	Monitor upper fixed bar	1
10	J113-461-000	20641105026	Monitor angle rubber	2

**8. 8 Electrical Parts List1 .**



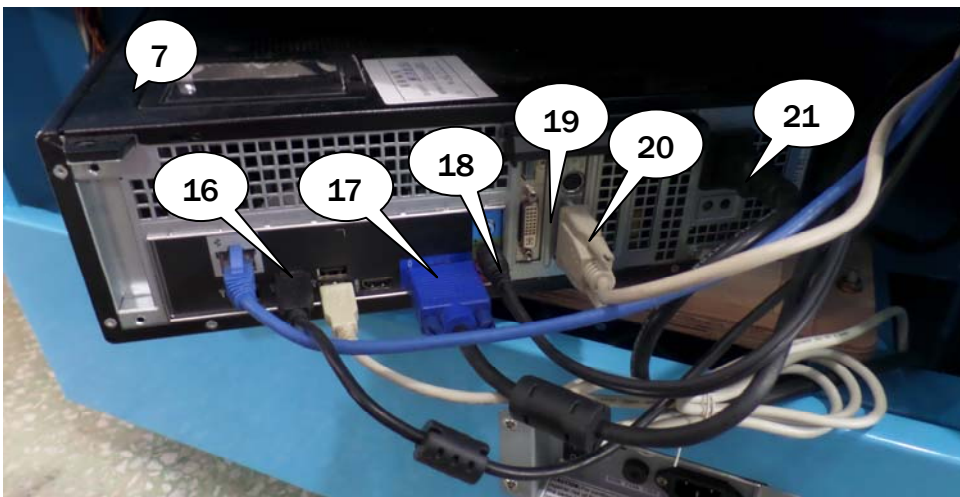
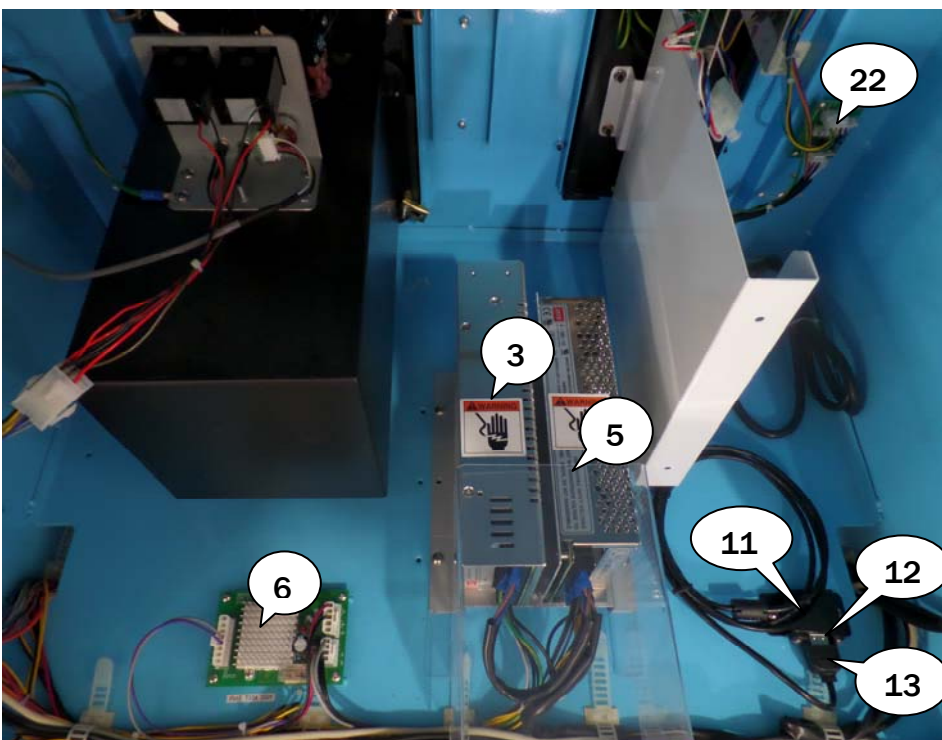
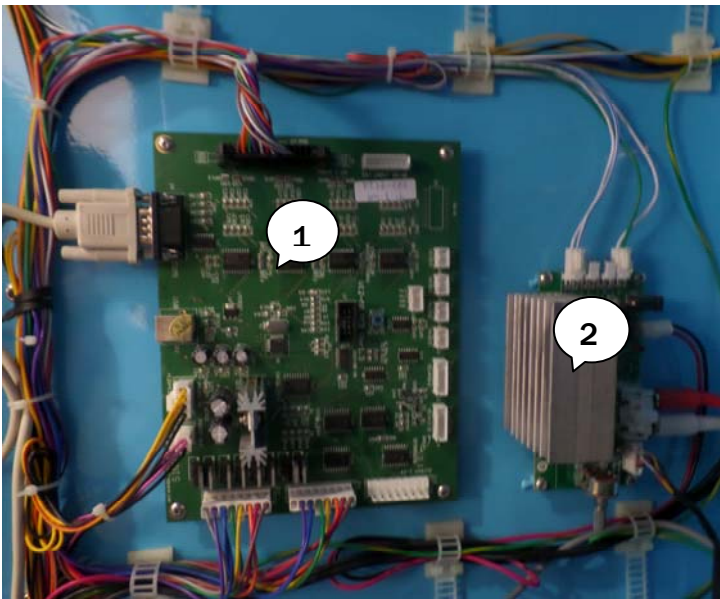
No.	Part No.	Code	Name	Qty.
1	J116-407-000	23000000006	Counter	2
2	J116-458-000	22501000033	POT	1
	J116-408-000	22403000001	Pot. knob	1
3	J116-409-000	21709000002	Pot. Connected board	1
4	J113-412-000	22402050001	Reset button-black	1
5	J116-413-000	21901000010	Fuse	1
6	J116-414-000	21902000006	Fuse holder	1
7	J116-415-000	22601000005	SW	1
8	J116-462-000	23301010020	Power cord	1
9	J113-410-000	22402030002	Settings button-green	1
10	J116-479-000	6000002000	Counter plate	1

**Electrical Parts List 3.**



NO	Part NO.	Code	Name	QTY
1	J116-448-000	21704000219	Lamp board with rubber groove	1
2	J116-461-000	22801000005	Speaker	2
	J116-185-000	25900016000	Speaker grill	2
3	J116-450-000	22002013002	RGB flexible light	1
4	J116-451-000	22002013003	LED flexible light white	1
5	J116-452-000	22002013004	LED flexible light blue	1

### Electrical Parts List 2.



<b>NO</b>	<b>Part NO.</b>	<b>Code</b>	<b>Name</b>	<b>QTY</b>
1	J116-416-000	21701000006	Main board	1
2	J116-417-000	22803000031	2.0AMP	1
3	J116-447-000	21602000095	Power box	1
4	J116-419-000	21603000043	UPS power	1
5	J116-446-000	21602000094	Power box	1
6	J116-809-000	29710907006	PCB board	1
	J116-421-000	21703000016	Driver board	1
7	J116-405-000	21101000016	PC	1
8	J116-423-000	22702000020	Exhaust fan	1
	J116-460-000	22702000010	Vent grill	1
9	J116-424-000	23100000005	Ticket mech.	1
10	J116-425-000	22301000030	Coin mech.	2
11	J116-360-000	TTJZ-02-25	Dongle bracket	1
12	J116-442-000	21107020036	Dongle	1
13	23304010027	23304010027	USB cable	1
14	J116-454-000	22003000075	Red light with seat	1
15	J116-456-000	22201000028	12V white light socket	2
	J116-453-000	22003000018	LED bulb	1
16	J116-467-000	23304010027	USB cable	1
17	J116-469-000	23307000002	Video cable	1
18	J116-468-000	23305000003	Audio cable	1
19	J116-443-000	21107030027	pc video card	1
20	J116-466-000	23303000001	Serial cable	1
21	J116-463-000	23301050002	Power cord	1
22	J116-808-000	21712000001	Ticket converted board	1
23	J116-189-000	26000018000	Ticket door assy.	1
24	J116-121-000	26000018001	Ticket door	1
25	J116-481-000	26000018002	Ticket door	1
26	J116-482-000	26000018003	Hinge	1
27	J116-483-000	26000018004	Hock	1

**8.9 Game Decals:**

**Part 1**



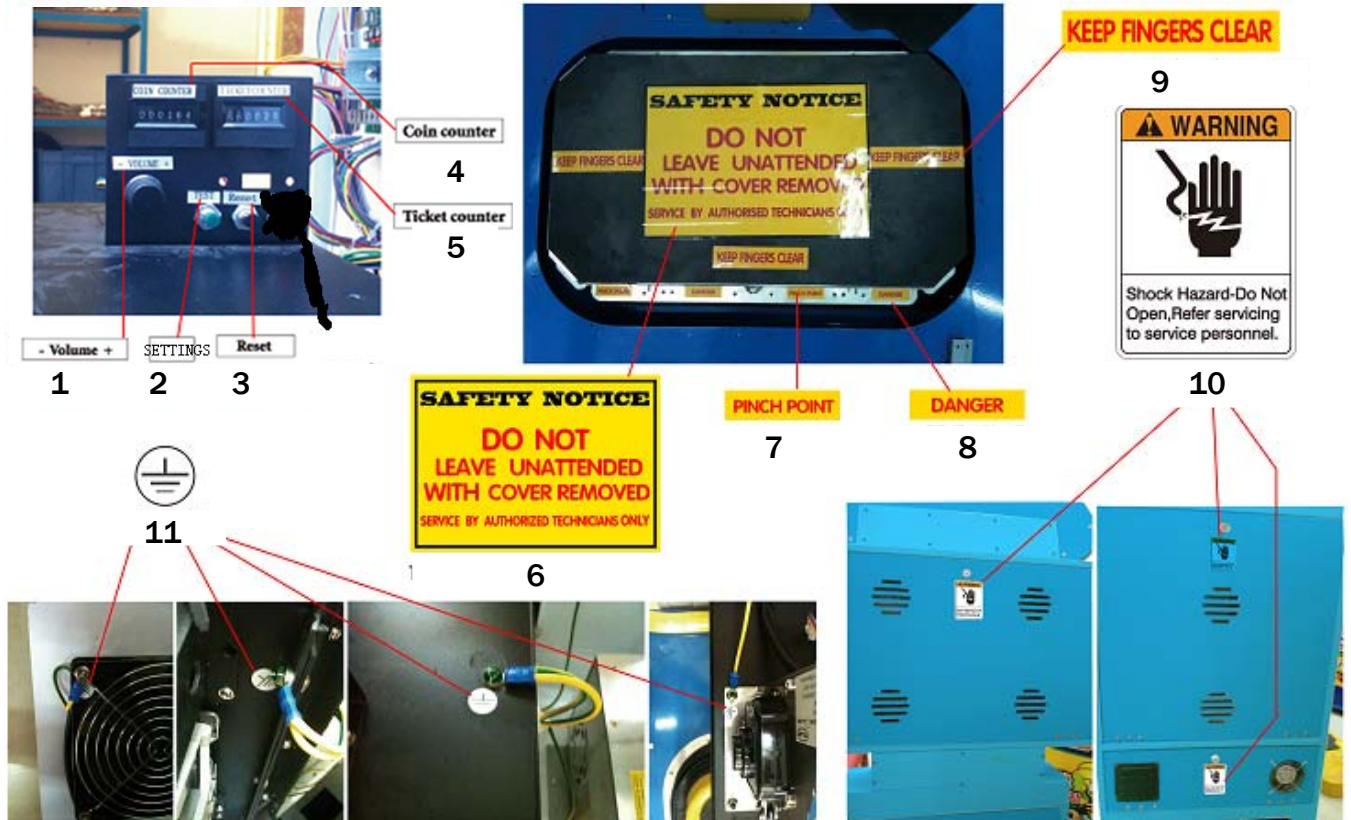
No.	Part No.	Code	Name	Qty
1	J116-704-000	20541105004	Display decal	1
2	J116-702-000	20541105007	Handrail decal	1
3	J116-705-000	20541105010	Front door decal	1
4	J116-707-000	20541105011	Guardrail decal R	2
5	J116-708-000	20541105012	Guardrail decal L	2
6	J116-711-000	20541105001	Base decal (front)	1
7	J116-712-000	20541105002	L&R side decal	2
8	J116-703-000	20541105005	Marquee decal	1
9	J116-709-000	20541105018	Marquee rear decal	1
10	J116-710-000	20541105006	Healthy decal	1
11	J116-706-000	20541105003	How to play decal	1
12	J116-713-000	20541105009	Cabinet R side decal	1
13	J116-714-000	20541105008	Cabinet L side decal	1

Part 2



No.	Part No.	Code	Name	Qty
1	J116-715-000	25600000086	Capacity discharge warning decal	1
2	J116-716-000	25600000089	UPS warning decal	1
3	J116-717-000	25600000067	Warning decal 1	1
4	J116-718-000	25600000042	Warning decal 2	1
5	J116-719-000	25600000043	Warning decal 3	1
6	J116-720-000	20541105013	ETL /110V nameplate	1
7	J116-721-000	25600000036	High voltage warning decal	1
8	J116-722-000	25600000017	ON/OFF label	1
9	J116-723-000	25600000091	GND label	1
10	J116-724-000	25600000034	TICKET label	1
11	J116-725-000	25600000071	AC 110V label	1
12	J116-726-000	25600000083	Fuse T10A-125V label	1
13	J116-727-000	25600000087	Fuse warning label	1
14	J116-728-000	25600000077	Fuse T10A-250V label	1

**Part 3**



No.	Part No.	Code	Name	Qty
1	J116-729-000	25600000003	Volume label	1
2	J116-729-000	25600000092	Settings label	1
3	J116-731-000	25600000006	Reset label	1
4	J116-733-000	25600000001	Coin counter label	1
5	J116-734-000	25600000002	Ticket counter label	1
6	J116-735-000	20541105014	Safety notice decal	1
7	J116-736-000	20541105016	Pinch point label	7
8	J116-737-000	20541105017	Danger label	3
9	J116-738-000	20541105015	Keep fingers clear lable	7
10	J116-739-000	25600000085	High voltage warning label 2	3
11	J116-723-000	25600000091	GND label	5

**Wiring Diagram**

