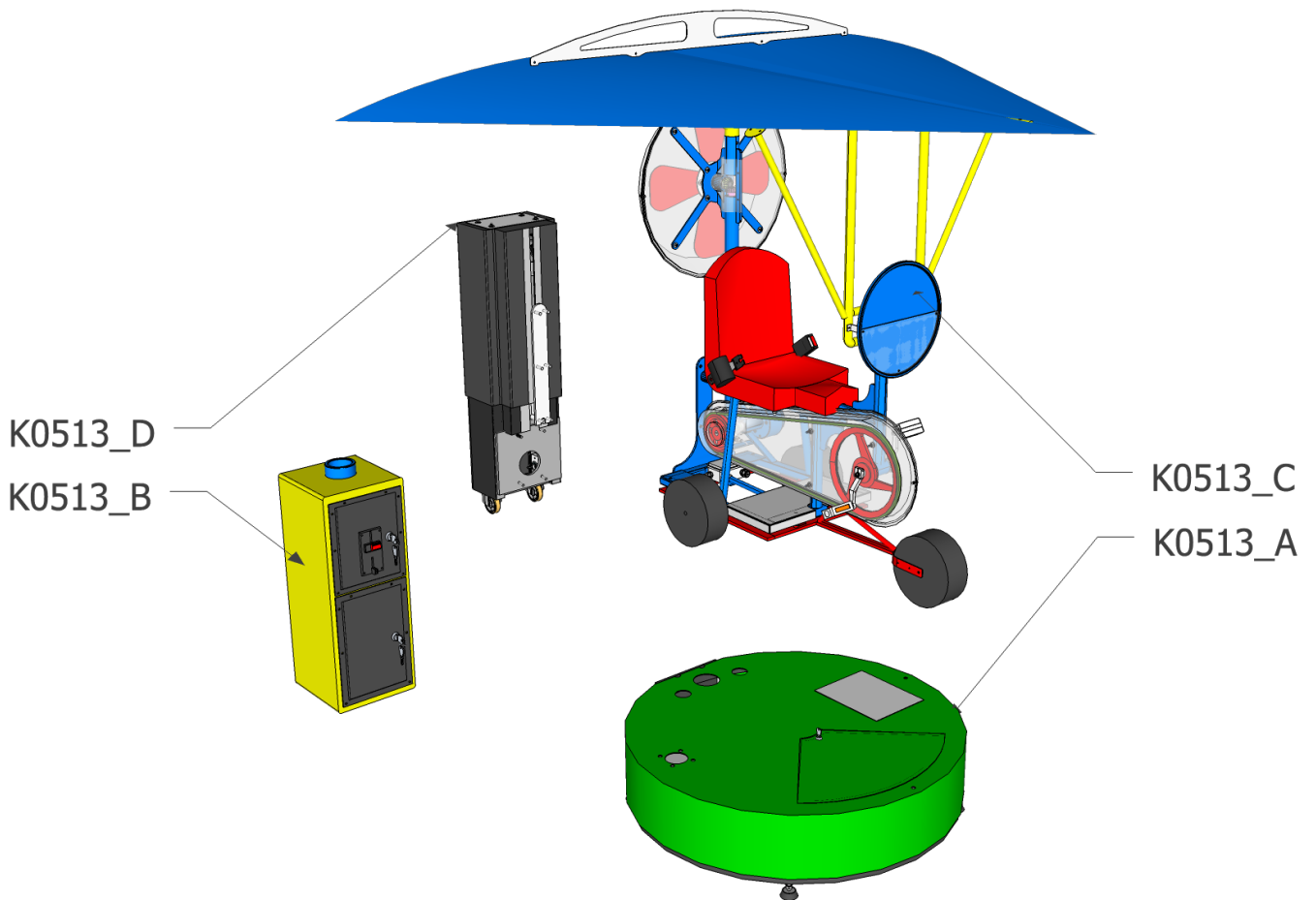
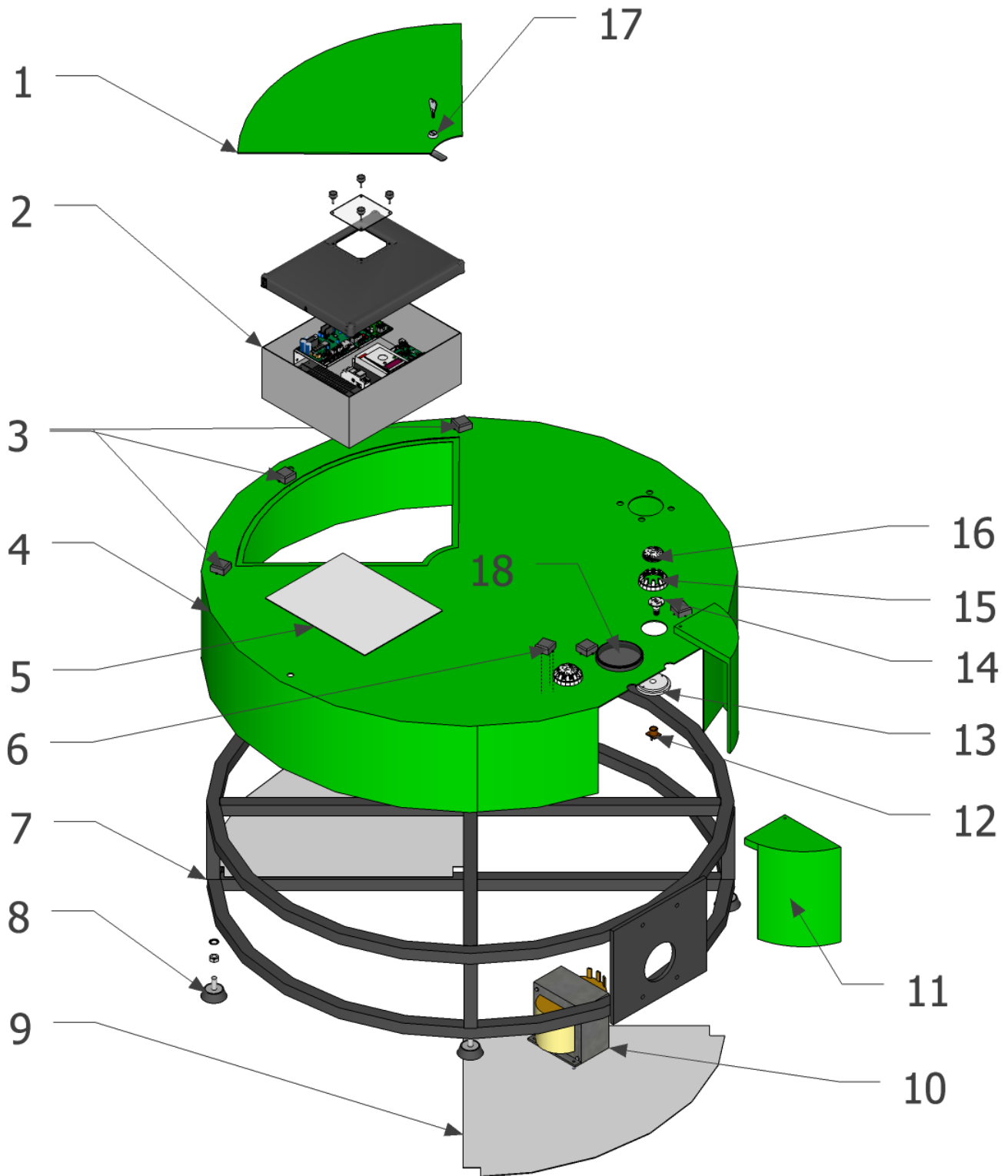


# GLIDER RIDER KQ513



## SPARE PARTS LIST

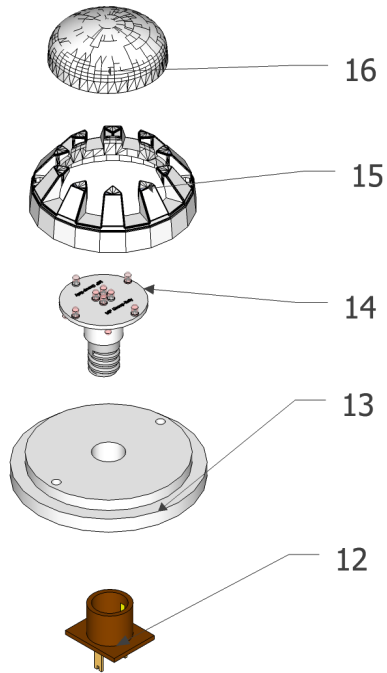
# K0513 - Section A1



**K0513 - Section A1**

ID BOM	QTY	PART. NUM	DESCRIZIONE	CUSTOM. CODE	DESCRIPTION
1	1	MPR00585	FIG. SPORT. BASE G/RIDER GELCOT VERDE		BASE DOOR FIGURE
2	1	DAA1697A	QUADRO COMANDO DELTAFLY MONO		CONTROL UNIT
3	3	DPS0000101	SENSORE DI SICUREZZA KIDDIE (RX)		IR SAFETY SENSOR (RX)
4	1	MPR00584	FIG. BASE GLIDE RIDER GELCOT VERDE		BASE FIGURE
5	1	HMT27087	PEDANA 300X250X2 CHICCO RI DELTA FLY		FOOT BOARD 300X250X2
6	3	DPS0000100	SENSORE DI SICUREZZA KIDDIE (TX)		IR SAFETY SENSOR (TX)
7	1	HMT05301	TELAIO DI BASE GLIDER RIDER VERN.		BASIC FRAME
8	4	HG01001	PIEDINO 50/20 PM 10MA (ex CO0763)		FOOT 50/20 PM 10MA
9	1	FMLKR00507	BASE X GLIDER RIDE IN LAMIERA ZINCATA		COATED SHEET BASE
10	1	AT0309001	TRASFORMATORE 1000 VA 110-230 VAC		110-230 VAC 1000 VA TRANSFORMER
11	1	CO1995V	FIG. CARTER PROTEZ. BASE DELTA 2PZ.VERN.		CARTER PROTECTION X BASE (KIT)
12	2	PL099	PORTALAMPADA E10 SALDARE		LAMP HOLDER E10
13	2	BAFL100	BASE PIATTA CROMATA		CHROMED FLAT BASE
14	2	LED1012VBST	LAMPADA LED STD E10 12V BIA		LED LAMP STD E10 12V BIA
15	2	RING100	ANELLO CROMATO X BASE PIATTA		CHROMED RING FOR FLAT BASE
16	2	CA0101-016	CALOTTA 0101-016 BIANCO TRAS.		CLEAR CAP 0101-016

# K0513 - Section A2



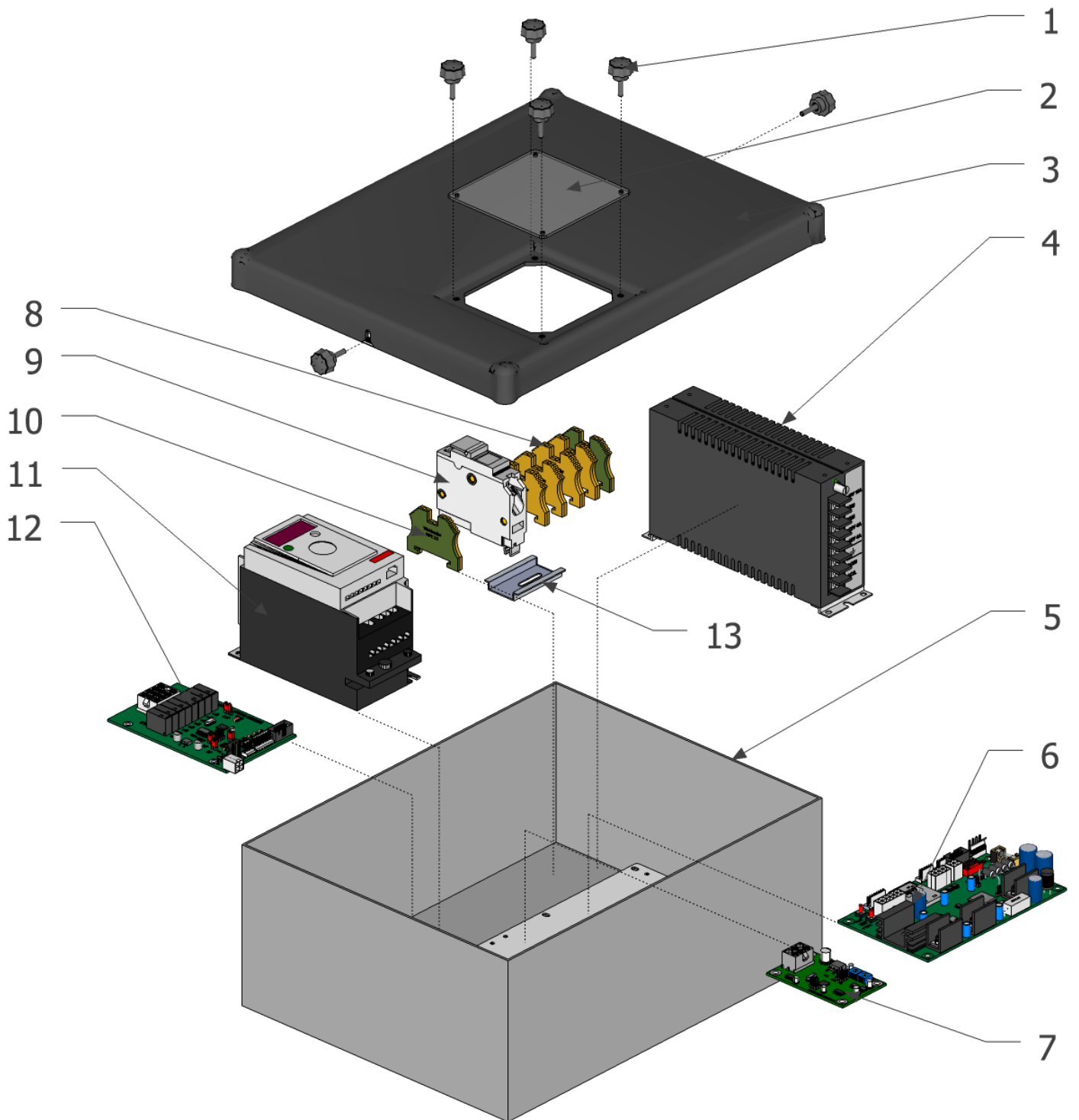
Property of MP-GROUP  
May not be reproduced or copied  
without the written permission of owner

**K0513 - Section A2**

ID BOM	QTY	PART. NUM	DESCRIZIONE	CUSTOM. CODE	DESCRIPTION
12	2	PL099	PORTALAMPADA E10 SALDARE		LAMP HOLDER E10
13	2	BAFL100	BASE PIATTA CROMATA		CHROMED FLAT BASE
14	2	LED1012VBST	LAMPADA LED STD E10 12V BIA		LED LAMP STD E10 12V BIA
15	2	RING100	ANELLO CROMATO X BASE PIATTA		CHROMED RING FOR FLAT BASE
16	2	CA0101-016	CALOTTA 0101-016 BIANCO TRAS.		CLEAR CAP 0101-016

Property of MP-GROUP  
May not be reproduced or copied  
without the written permission of owner

# DAA1697A Section A3

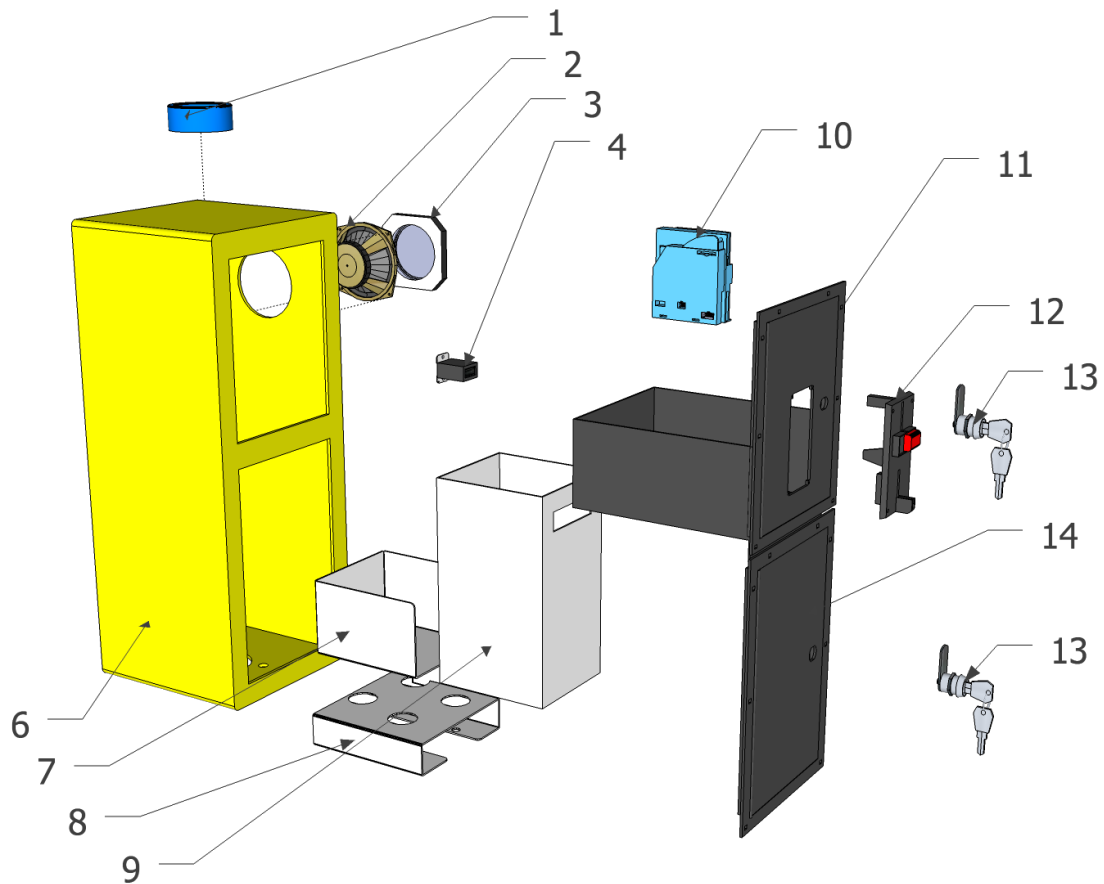


Property of MP-GROUP  
May not be reproduced or copied  
without the written permission of owner

### DAA1697A Section A3

ID BOM	QTY	PART. NUM	DESCRIZIONE	CUSTOM. CODE	DESCRIPTION
1	6	GL500001NN VP3	Pomello M4x10		KNOB
2	1	FMLKR00517	PLEXI TRASPARENTE		PLEXIGLASS COVER
3	1	FMLKR00515	COPERCHIO SCAT.ELETTR DFM TERMOFORMATO		BOX COVER ELECTRONICS DFM THERMOFORMED
4	1	MWP608	ALIMENTATORE DISTR. GETTONE		12-24VCC POWER SUPPLY
5	1	FMLKR00022	BASE SCATOLA ELETTR.VOLANTI		ELECTRONIC BOX
6	1	A009917052	CPU - SCHEDA ELETTRONICA CONTROLLO		MAIN BOARD
7	1	MPTC6-01	SCHEDA PROTEZIONE TOCCO		TOUCH SENSOR CONTROL BOARD
8	6	RS425-190	MORSETTIERA GUIDA DIN STD WDU		DIN RAIL TERMINAL WDU STD
9	1	ITL2301137	PORTAFUSIBILE ITALWEBER 1X38		FUSE 1HOLDER x38 ITALWEBER
10	2	LG373.71	MORSETTO DI TERRA 4 MMQ.		EARTH TERMINAL 4 MMQ.
11	1	DA5500072	INVERTER ATV12P037M2		INVERTER ATV12P037M2
12	1	DAD1240A	SCHEDA I/O C/8 RELE' 5A CON INTERF.CCTAL		I/O CONTROLLER BOARD
13	1	FMLKR00026	GUIDA OMEGA BASSA X K/VOLAN		OMEGA RAIL X LOW K / VOLAN

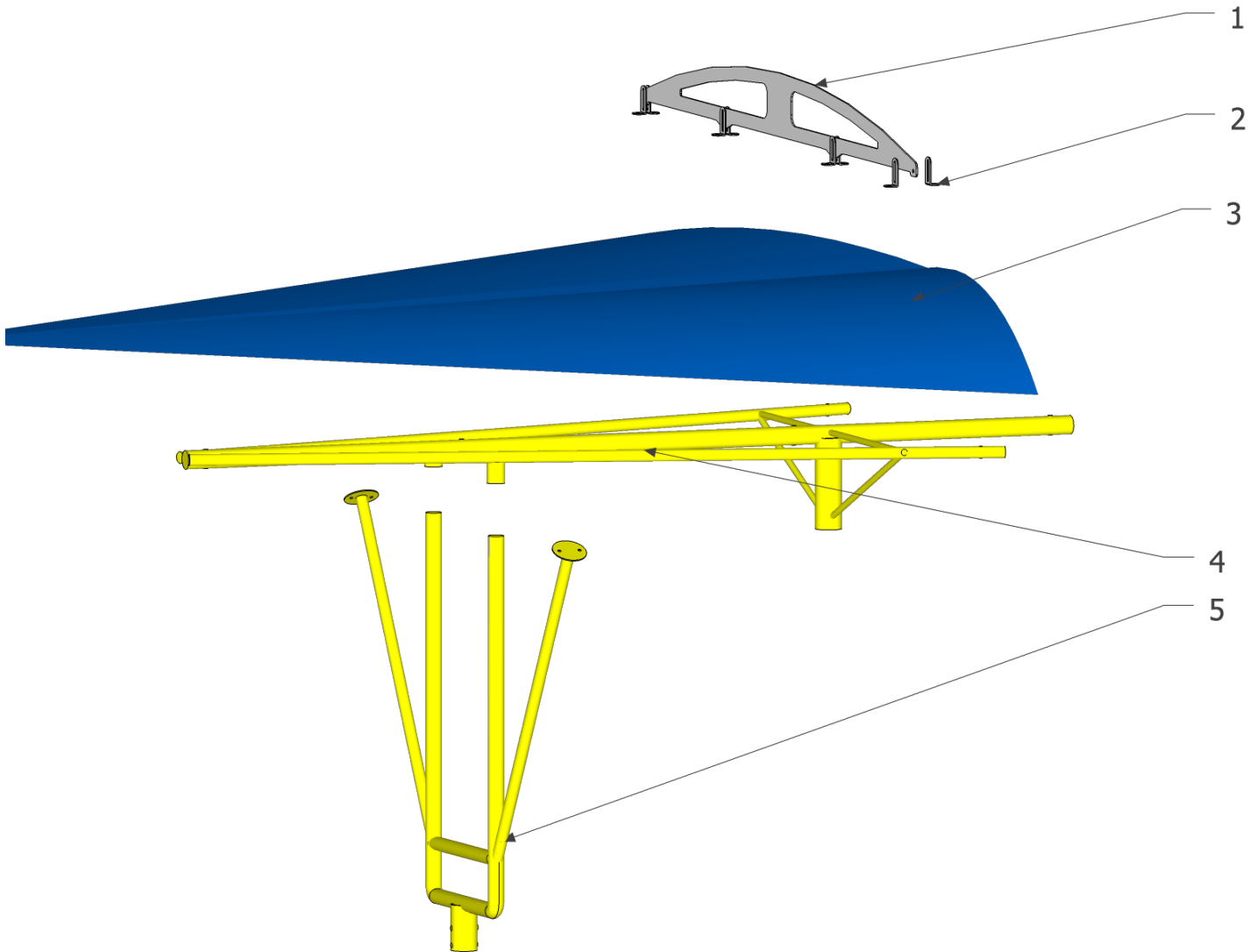
## K0513 - Section B1



### K0513 - Section B1

ID BOM	QTY	PART. NUM	DESCRIZIONE	CUSTOM. CODE	DESCRIPTION
1	1	CO1798	PORTABICCHIERE CEC TERMOFORMATO		CUP / TOKEN HOLDER
2	1	HE19005	ALTOPARLANTE 100MM 2V.CARTA 50W - ART. E		LOUD SPEAKER 100MM 2V 50W
3	1	HE20001	GRIGLIA ALTOPARLANTE D.100 (EX COD. CO00		LOUDSPEAKER GRID
4	1	DA9980139	CONTAIMPULSI 6 CIFRE 12V DC		12V DC 6 DIGIT IMPULSE COUNTER
6	1	MPR00586V	COLONNA GETTONIERA GLIDER RIDER		COIN ACCEPTOR COLUMN
7	1	FMLKR00514	SUPPORTO CASSA MONETA GLIDER RIDE		CASH BOX SUPPORT
8	1	FMLKR00513	BASE COLONNA GLIDER RIDE		COLUMN BASE
9	1	FMLKR00512	CASSA GETTONIERA GLIDER RIDE		CASH BOX
10	1	N/A			
11	1	FMLKR00510	CORNICE GETTONIERA ALTA GLIDER RIDE		HIGHER COIN ACCEPTOR FRAME
12	1	N/A			
13	2	HMT25002	SERRATURE 5/8 (710-009-02)		710-009-02 - 5/8 Inch Locks
14	1	FMLKR00511	CORNICE GETTONIERA BASSA GLIDER RIDE		LOWER COIN ACCEPTOR FRAME

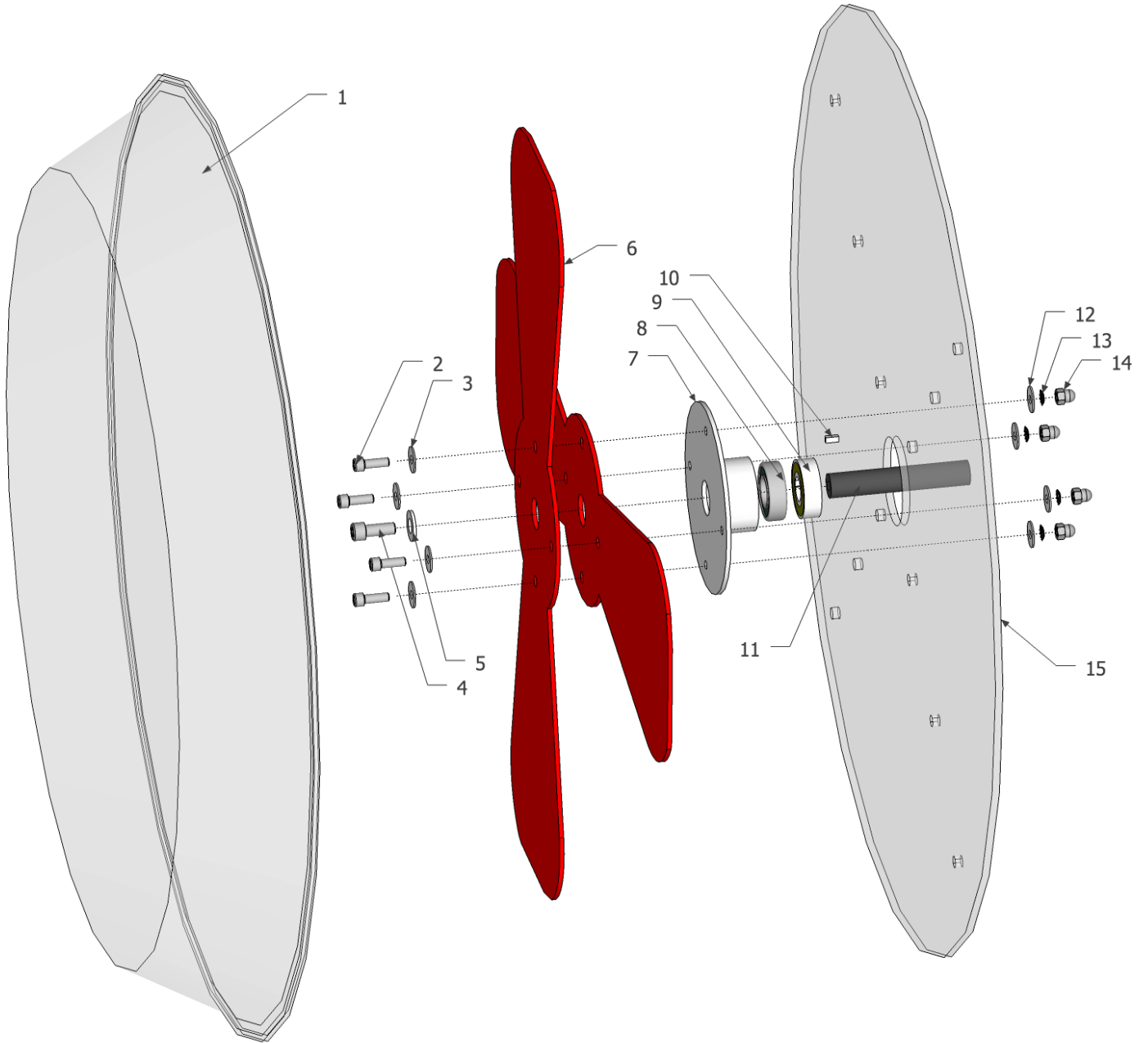
## K0513 - Section C1



### K0513 - Section C1

ID BOM	QTY	PART. NUM	DESCRIZIONE	CUSTOM. CODE	DESCRIPTION
1	1	FMLKR00526	ORDINATA		CROSS BAR
2	8	FMLKR00527	STAFFA ORDINATA		CROSS BAR SUPPORT
3	1	MPR00654V	FIG. VELA DELTAPLANO GELCOAT		SAIL FIGURE FOR GLIDER
4	1	HMT29120V	TELAIO 761X896X1760 VELA NEANDERTHAL PLA		FRAME 761X896X1760 FOR SAIL
5	1	HMT29120V-B	TELAIO 761X896X1760 VELA NEANDERTHAL PLA		FRAME 761X896X1760 FOR SAIL

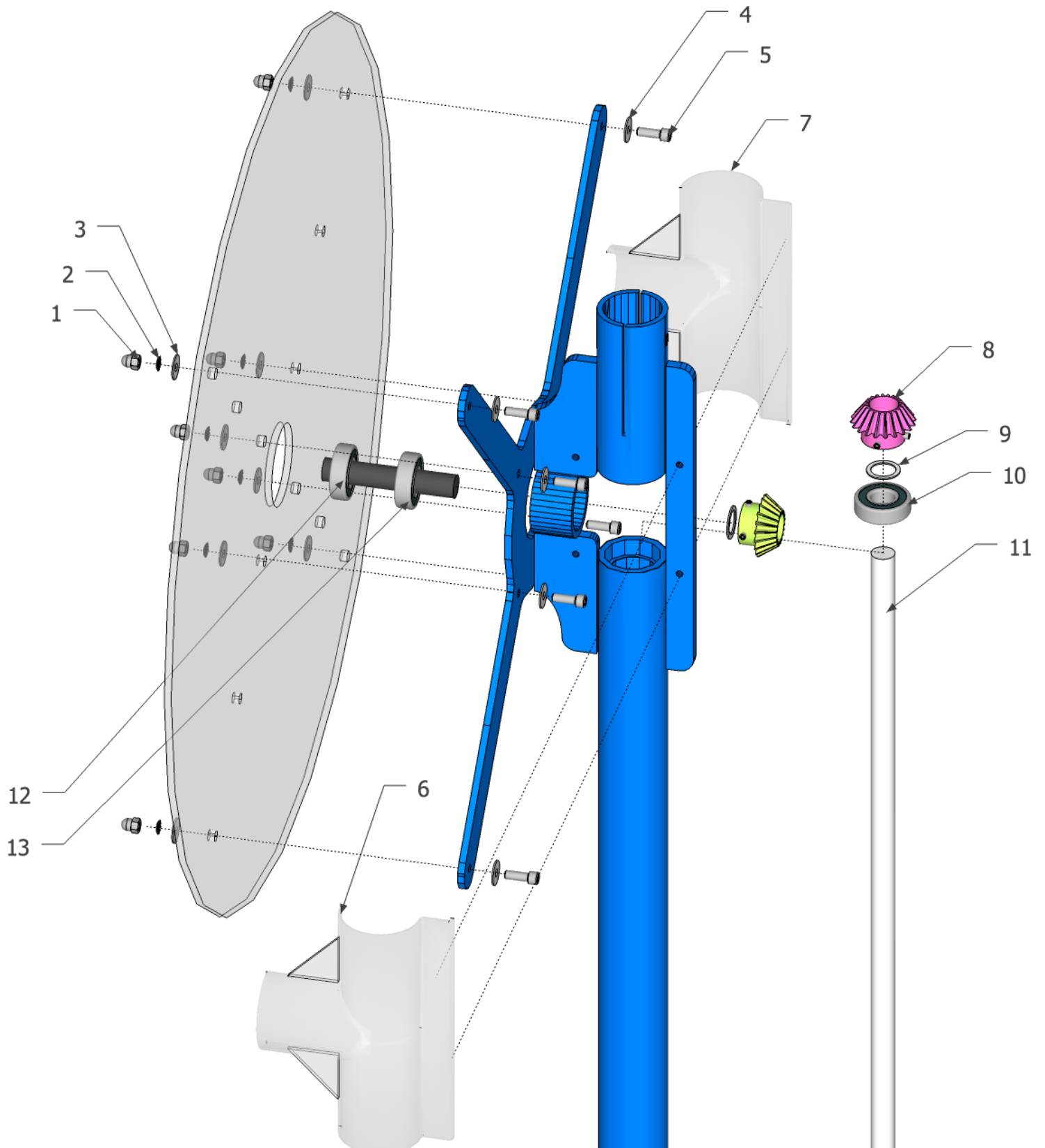
# K0513 - Section C2



**K0513 - Section C2**

ID BOM	QTY	PART. NUM	DESCRIZIONE	CUSTOM. CODE	DESCRIPTION
1	1	CO1525	COPERCHIO ELICA GRANDE PER DELTAFLY/ALB.		FLAT ROTOR COVER
2	4	HB01140	VITE 6X16 TCEI ZN 5931		SCREW 6X16 TCEI ZN 5931
3	4	HB02012	RONDELLA 6X18 FE.GREMB ZN		WASHER, 6X18 ZN FE.GREMB
4	1	HB01466	VITE 8X20 TCEI ZN 5739		SCREW 6X16 TCEI ZN 5931
5	1	HB02008	RONDELLA 10 PIANA ZN 6592		WASHER 10 FLAT ZN 6592
6	2	CO1535V	PALA ELICA METACRILATO ROSSO		PROPELLER BLADE
7	1	CO1425	FLANGIA PER ELY PITAGORICO		FLANGE FOR ELY PITAGORICO
8	1	HM06025	CUSCINETTO 6203 2RS		BEARING 6203 2RS
9	1	CO1474	CUSCINETTO BB-17-1K-K TSUBA		BEARING
10	1	CO1474-CH	CHIAVETTA x BB-17-1K-K TSUBA		KEY (NOT SOLD SEPARATELY TO ITEM 9)
11	1	HM01112B	ALBERO D.10X72 SERRAT. GALA BRUNITO		SHAFT D.10X72 SERRAT. GALA BRUNISHED
12	4	HB02012	RONDELLA 6X18 FE.GREMB ZN		WASHER, 6X18 ZN FE.GREMB
13	4	HB02064	RONDELLA 6 DENTEL.EST. ZN		SERRATED WASHER 6. EST. ZN
14	4	HB03057	DADO 6 ESAGONALE CIECO ZN 5		6 HEX NUT ZN 5
15	1	CO1526	PROTEZIONE ELICA GRANDE PER DELTAFLY/ALB		ROUNDED BOWL

# K0513 - Section C3

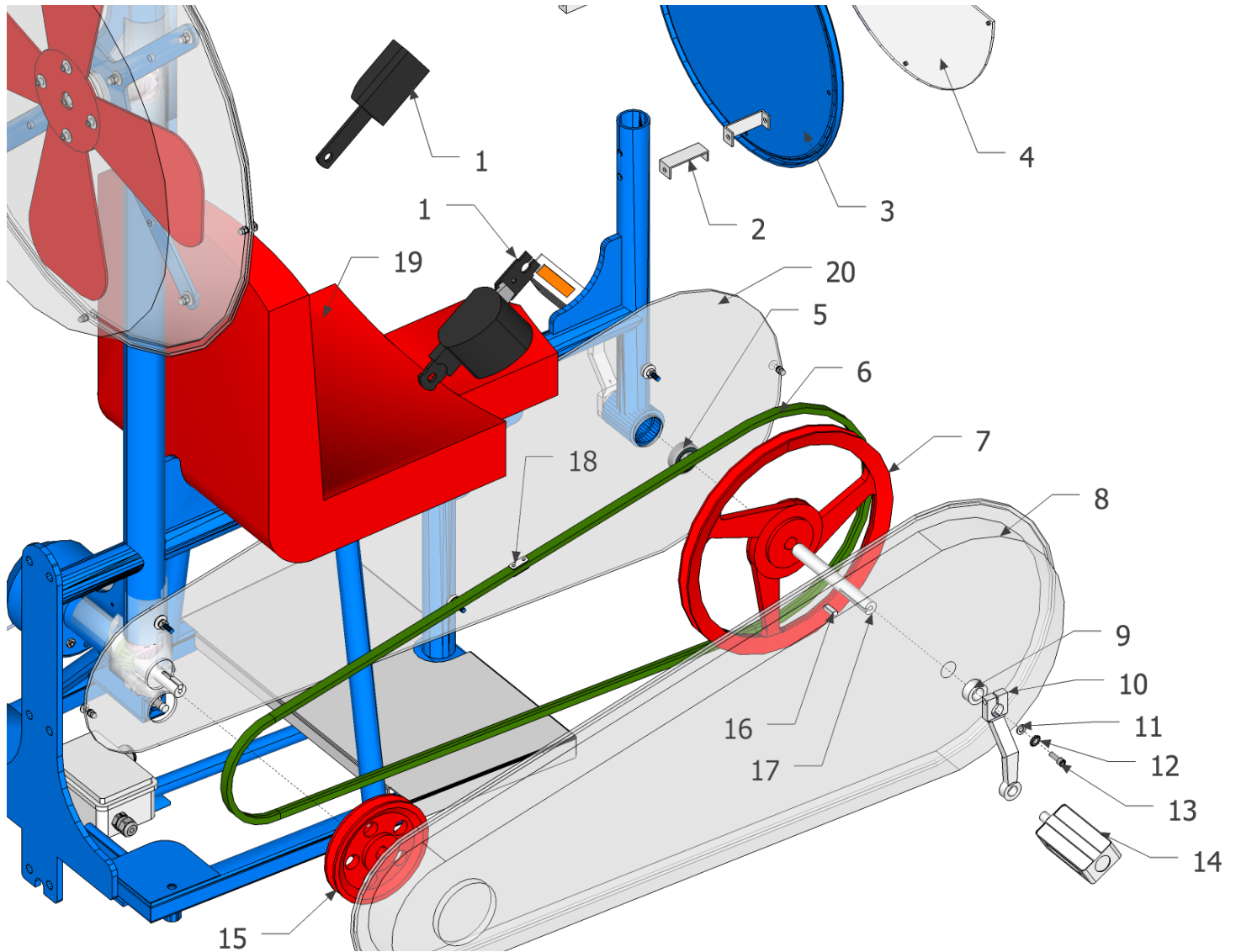


Property of MP-GROUP  
 May not be reproduced or copied  
 without the written permission of owner

**K0513 - Section C3**

ID BOM	QTY	PART. NUM	DESCRIZIONE	CUSTOM. CODE	DESCRIPTION
1	8	HB03057	DADO 6 ESAGONALE CIECO ZN 5		6 HEX NUT ZN 5
2	8	HB02064	RONDELLA 6 DENTEL.EST. ZN		SERRATED WASHER 6. EST. ZN
3	8	HB02012	RONDELLA 6X18 FE.GREMB ZN		WASHER 6X18 FE.GREMB ZN
4	8	HB02012	RONDELLA 6X18 FE.GREMB ZN		WASHER 6X18 FE.GREMB ZN
5	8	HB01140	VITE 6X16 TCEI ZN 5931		SCREW 6X16 TCEI ZN 5931
6	1	CO1394	PROTEZI.RINVIO ELICA XEL PEZZO DX-SX		PROPELLER GUARD
7	1	CO1394	PROTEZI.RINVIO ELICA XEL PEZZO DX-SX		PROPELLER GUARD
8	2	HM12007	PIGNONE 1/2 Z 20 CON FORO 1 CEMENTATO		PINION 1/2 Z 20
9	2	CO1430	RONDELLA RASAMENTO 17X24X0,		WASHER 17X24X0,
10	1	HM06025	CUSCINETTO 6203 2RS		BEARING 6203 2RS
11	1	CO1458	ALBERO INGRANAGGI CONICI EL 17X3 L=845		SHAFT mm.118 D24 2F. 8MA
12	1	HM06025	CUSCINETTO 6203 2RS		BEARING 6203 2RS
13	1	HM06025	CUSCINETTO 6203 2RS		BEARING 6203 2RS

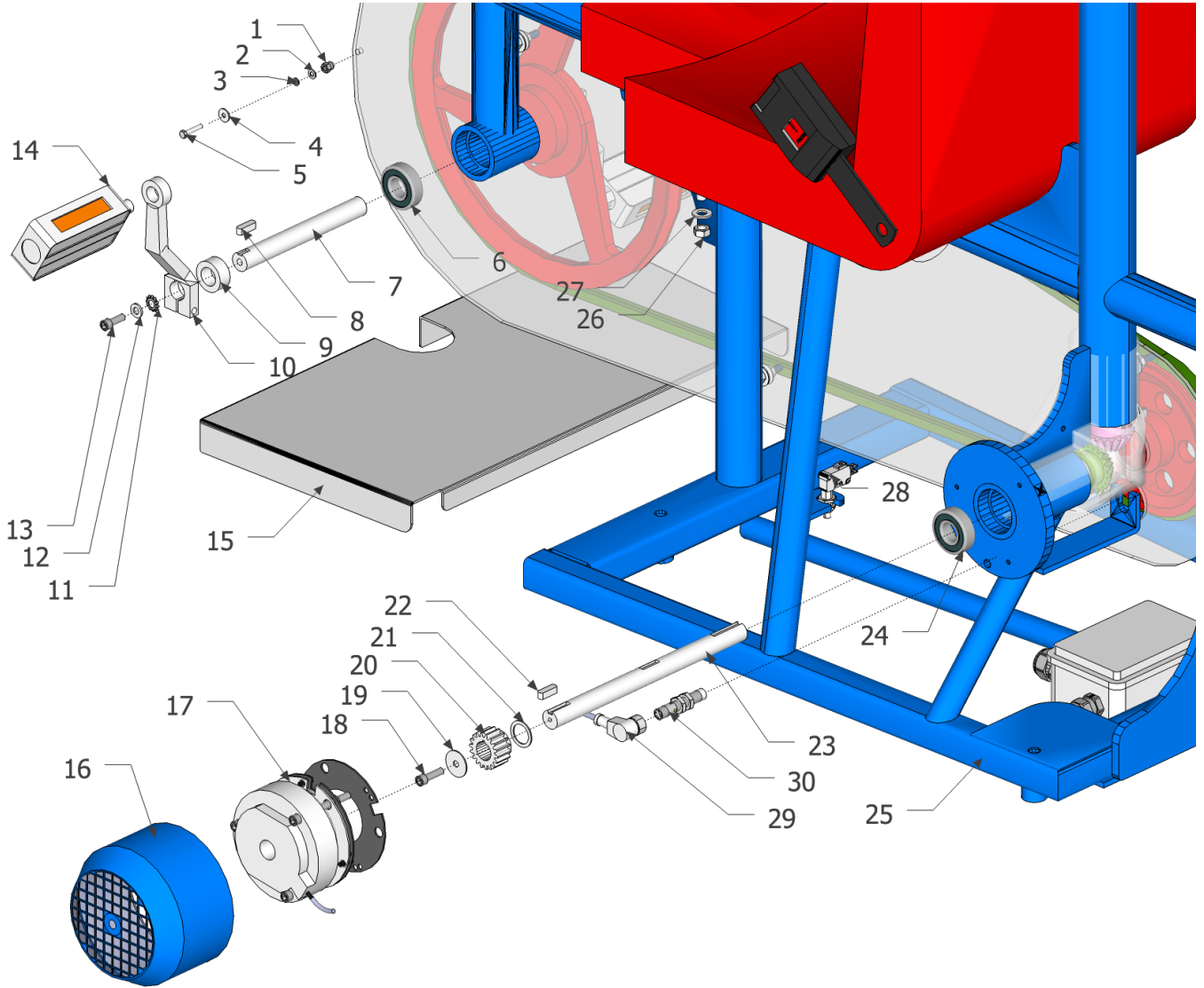
# K0513 - Section C4



**K0513 - Section C4**

ID BOM	QTY	PART. NUM	DESCRIZIONE	CUSTOM. CODE	DESCRIPTION
1	1	CO1790-065	CINTURA SICUREZZA LINGUETTA PLAST. NEW		SEAT BELT - PLASTIC TONGUE
2	3	FMLKR00528	STAFFA SUPPORTO DISCO TERMOFORMATO GLIDER		ROUNDED TERMOFORMAT SUPPORT
3	1	CO1796	DISCO TERMOFORMATO X ADESIVO		ROUNDED TERMOFORMAT FOR STICKER
4	1	CO1797	PLEXI MEZZALUNA COPERTURA DISCO		PLEXI ROUNDED COVERED
5	1	HM06025	CUSCINETTO 6203 2RS		BEARING 6203 2RS
6	1	CO1403	CINGHIA PEDALI ELY/ALB/DELTA CM. 213,5		PEDAL BELT
7	1	CO0806V	PULEGGIA 300 1A ALLUM.F.17+ VERN.ROSSA		PULLEY 300
8	1	CO1396	COPERCHIO CARTER PEDALI ELY		PEDAL CASING COVER
9	1	HB06008	NOTTOLINO B 28 CFU D.17 EST		PAWL B 28 CFU D.17 EST
10	1	CO1367DN	PEDIVELLA N.V. DX NICHELATA		RIGHT CRANK
11	1	HB02028	RONDELLA 6 PIANA ZN 6592		FLAT WASHER 6 ZN 6592
12	1	HB02064	RONDELLA 6 DENTEL. EST. ZN		SERRATED WASHER 6 EST. ZN
13	1	HB01140	VITE 6X16 TCEI ZN 5931		SCREW 6X16 TCEI ZN 5931
14	1	CO1369	PEDALE CIAO X VOLANTE		PEDAL
15	1	CO1449	PULEGGIA ALL. 130 1A 2 SEDI		PULLEY
17	1	HM02011	CHIAVETTA 6X6X30		KEY 6X6X30
18	1	CO1456	GIUNZ.CINGHIA SEZ.A PERFORB X ROCON		COUPLING X BELT
19	1	CO1392V	FIG. SEDILE DELTAPLANO Rosso Ral 3000		SEAT FIGURE
20	1	CO1395	PROTEZIONE CARTER PEDALI EL		PEDAL BELT COVER (FLAT)

# K0513 - Section C5



**K0513 - Section C5**

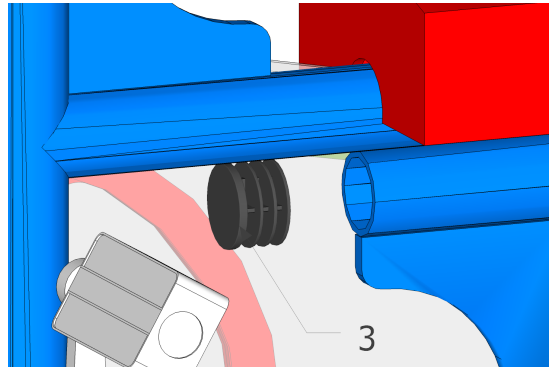
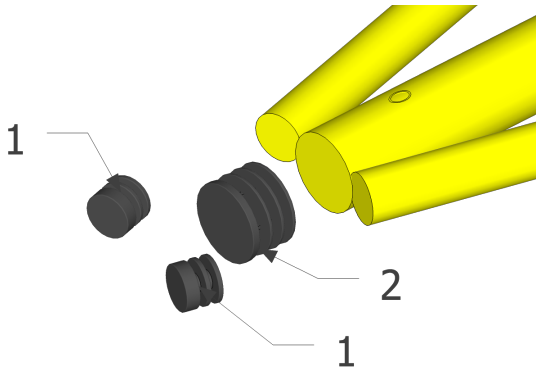
ID BOM	QTY	PART. NUM	DESCRIZIONE	CUSTOM. CODE	DESCRIPTION
1	6	HB03047	DADO 4 ESAGONALE CIECO ZN		HEX NUT 4 ZN 5
2	6	HB02056	RONDELLA 4 PIANA ZN		FLAT WASHER 4 ZN
3	6	HB02094	RONDELLA 4 GROWER ZN		WASHER GROWER 4 ZN
4	6	HB02026	RONDELLA 4X12 FE.GREMB ZN 6		WASHER, 4X12 FE.GREMB ZN 6
5	6	HB01217	VITE 4X20 TE INOX 5739		SCREW 4X20 TE INOX 5739
6	1	HM06025	CUSCINETTO 6203 2RS		BEARING 6203 2RS
7	1	HM01061	ALBERO D.17X146 PEDALI GREZ		SHAFT mm.118 D24 2F. 8MA
8	1	HM02011	CHIAVETTA 6X6X30		KEY 6X6X30
9	1	HB06008	NOTTOLINO B 28 CFU D.17 EST		PAWL B 28 CFU D.17 EST
10	1	CO1367SN	PEDIVELLA N.V. SX NICHELATA		LEFT CRANK
11	1	HB02064	RONDELLA 6 DENTEL.EST. ZN		SERRATED WASHER 6. EST. ZN
12	1	HB02028	RONDELLA 6 PIANA ZN 6592		FLAT WASHER 6A ZN 6592
13	1	HB01140	VITE 6X16 TCEI ZN 5931		SCREW 6X16 TCEI ZN 5931
14	1	CO1369	PEDALE CIAO X VOLANTE		PEDAL
15	1	HMT05304	PEDANA 295X151X2 G/RIDER ALLUM. CHICCO		FOOT BOARD 295X151X2
16	1	CO1490	COPRIVENTOLA 63 TT H087 4F		CLUTCH COVER
17	1	CO1486	FRENO A MOLLE FMC 088 24V D		BRAKE (CLUTCH)
18	1	HB01068	VITE 6X20 TCEI ZN 5931		SCREW 6X20 TCEI ZN 5931
19	1	HB02013	RONDELLA 6X24 FE.GREMB ZN 6		WASHER 6X24 FE.GREMB ZN 6
20	1				
21		CO1430	RONDELLA RASAM. D.24 SP.5/10		SHIM WASHER D.24 SP.5/10
22	1	HM02016	CHIAVETTA 6X6X20		KEY 6X6X20
23	1	HM01053	ALBERO D.17X230 BRUNITO		SHAFT 17X3 L=845
24	1	HM06025	CUSCINETTO 6203 2RS		BEARING 6203 2RS
25	1	HMT05303	TELAIO CENTRALE GLIDER RIDER VERN.		BYCICLE FRAME
26	4	HB03009	DADO 8 ESAGONALE ZN 5588		HEX NUT 8 ZN 5588
27	4	HB02009	RONDELLA 8 PIANA ZN 6592		FLAT WASHER 8 ZN 6592
28	4	CO1349	MICROINTERUTTORE V3 EF83161 CON PULSANTE		MICROSWITCH V3 EF83161
29	1	DET00024P	CONNETTORE M12 90°		
30	1	DET006132	SENSORE AM6/AP-4H		SENSOR AM6/AP-4H



**K0513 - Section C6**

ID BOM	QTY	PART. NUM	DESCRIZIONE	CUSTOM. CODE	DESCRIPTION
1	2	HB01269	VITE 4X40 TE ZN 5739		SCREW 4X40 TE ZN 5739
2	2	HB02056	RONDELLA 4 PIANA ZN		PLAIN WASHER 4 ZN
3	1	GW44001	CASSETTA 65X35		BOX 65X35
4	1	CO1393-SX	PROTEZIONE COPPIA RIDOTTA SX		LEFT PROPELLER PROTECTION
5	1	CO1393-DX	PROTEZIONE COPPIA RIDOTTA DX		RIGHT PROPELLER PROTECTION
6	1	CO1458	ALBERO INGRANAGGI CONICI EL 17X3 L=845		SHAFT EL 17X3 L=845 mm
7	1	HM06025	CUSCINETTO 6203 2RS		BEARING 6203 2RS
8	1	CO1373	PIGNONE CONICO M2 R 1/1 Z 2 IN PLASTICA VIOLA		BEVEL PINION M2 R 1/1 Z 2 PURPLE PLASTIC
9	1	CO1373	PIGNONE CONICO M2 R 1/1 Z 2 IN PLASTICA VERDE		BEVEL PINION M2 R 1/1 Z 2 PLASTIC GREEN
10	1	HB01068	VITE 6X20 TCEI ZN 5931		SCREW 6X20 TCEI ZN 5931
11	1	DET00024P	CONNETTORE M12 90°		
12	1	DET006132	SENSORE AM6/AP-4H		SENSOR AM6/AP-4H
13	1	HM06025	CUSCINETTO 6203 2RS		BEARING 6203 2RS
14	1	RTST9	PRESSACAVO SKINTOP PG9		CABLE GLAND PG9 SKINTOP
15	1	RTST9	PRESSACAVO SKINTOP PG9		CABLE GLAND PG9 SKINTOP
16	1	GW44205	CASSETTA 120X80X50		BOX 120X80X50
17	3	FE30049	RUOTA LEGGERA mm.235x90		PLASTIC WHEEL
18	1	HMT05305	TELAIO 472X1162 ANTISCHIACC GLIDER RIDER		ANTI CRUSH FRAME

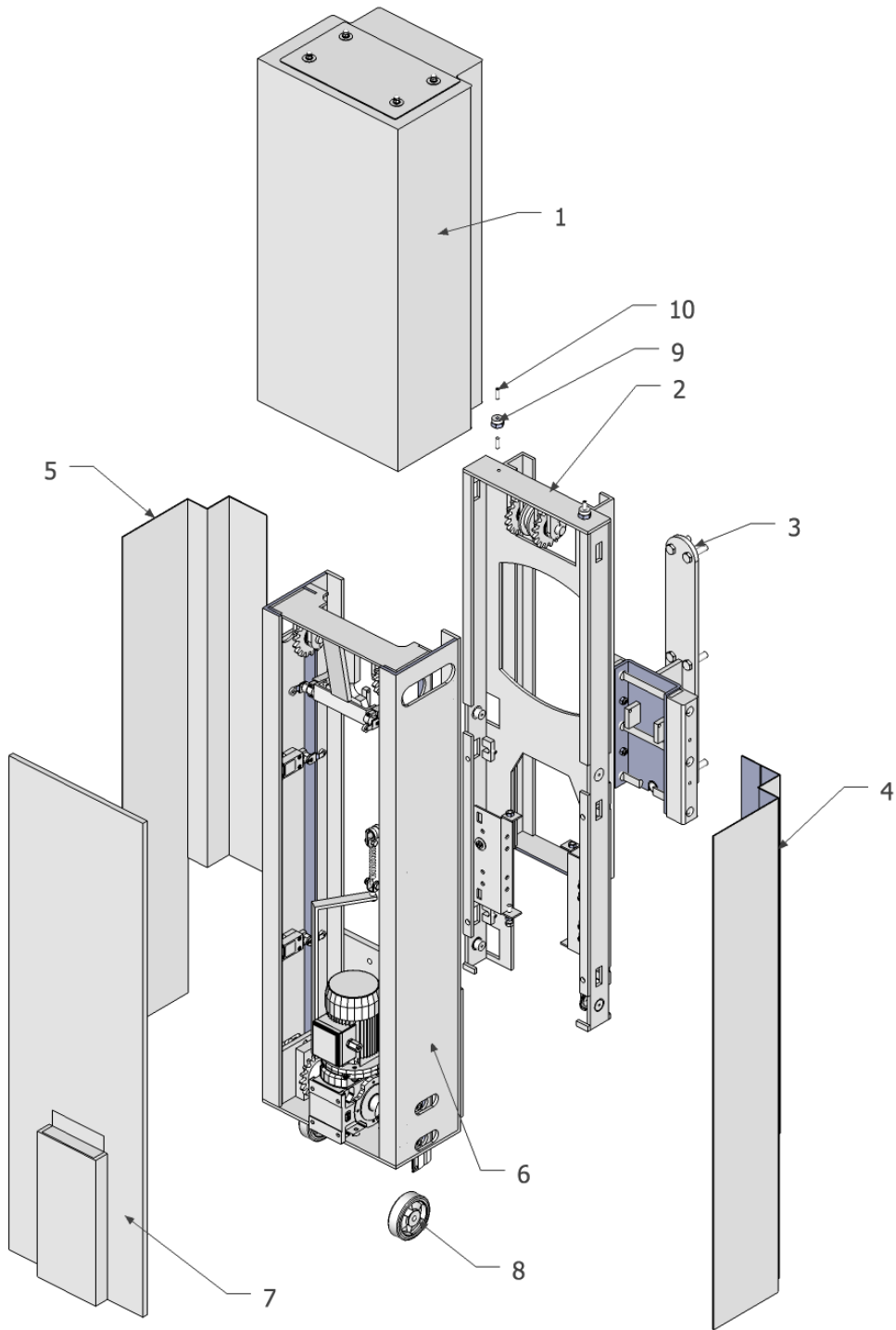
## K0513 - Section C7



**K0513 - Section C7**

ID BOM	QTY	PART. NUM	DESCRIZIONE	CUSTOM. CODE	DESCRIPTION
1	4	HP07013	TAPPO 01SFL22C D.22 H=15		CAP 01SFL22C D.22 H=15
2	2	HP07012	TAPPO D.35 H=25		CAP D.35 H=25
3	1	HP07009	TAPPO D.48,3 H=16,5 COD. 01GL48B		CAP D.48,3 H=16,5 COD. 01GL48B

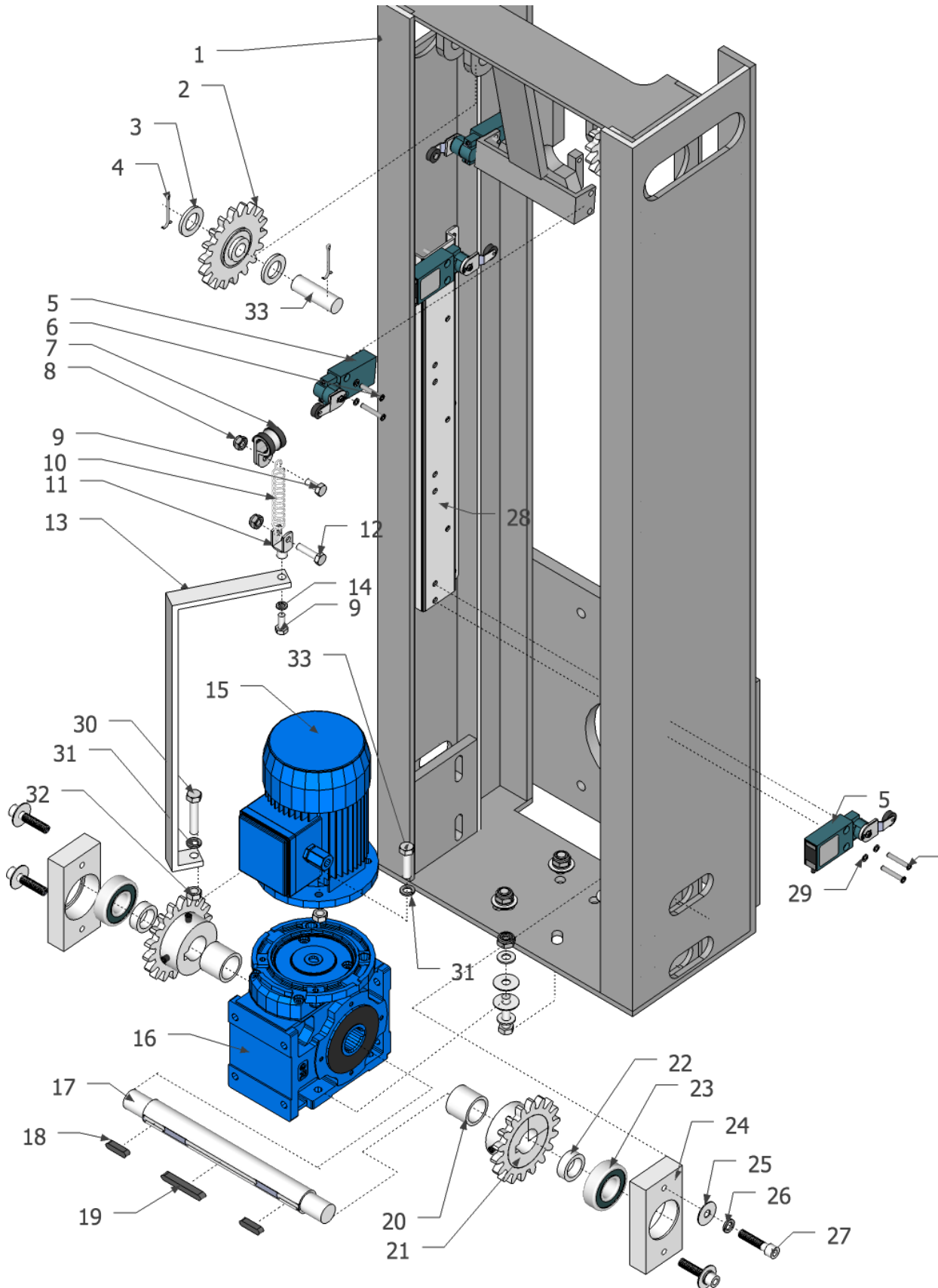
# K0513 - Section D1



Property of MP-GROUP  
May not be reproduced or copied  
without the written permission of owner

K0513 - Section D1					
ID BOM	QTY	PART. NUM	DESCRIZIONE	CUSTOM. CODE	DESCRIPTION
1	1	HP18023	CARTER ANT. DX TERMOFORMATO DELTA FRED		TERMOFORMAT CARTER FRONT DX
2	1	HMT2914302Z	TELAIO GLIDER RIDER		INNER FRAME
3	1	HMT29144Z	SUPPORTO BICI X DELTA/FRED ELETTRICO		ELECTRIC DELTA FRED BIKE SUPPORT
4	1	HP18024	CARTER ANT. SX TERMOFORMATO DELTA FRED		TERMOFORMAT FRONT SX CARTER
5	1	HP18023	CARTER ANT. DX TERMOFORMATO DELTA FRED		TERMOFORMAT FRONT DX CARTER
6	1	HMT2914202Z	COLONNA DI BASE DELTA/FRED ELETTRICO		BASE COLUMN DELTA/FRED
7	1	HP18022	CARTER INFERIORE TERMOFORMATO DELTA FRED		TERMOFORMAT BACK CARTER
8	2	HRU01037	RUOTA D.85X40 POLIUR.TR75/2 MARATHON RUN		D. 85X40 WHEEL
9	2	CO1612	ISOLATORE COLONNA ART. WEMWER CP 2016-06		WEMWER-CP 201606COLUMN INSULATING
10	4	HB01023	VITE 6X20 STEI ZN 5927		6X20 STEY ZN 5927 SCREW

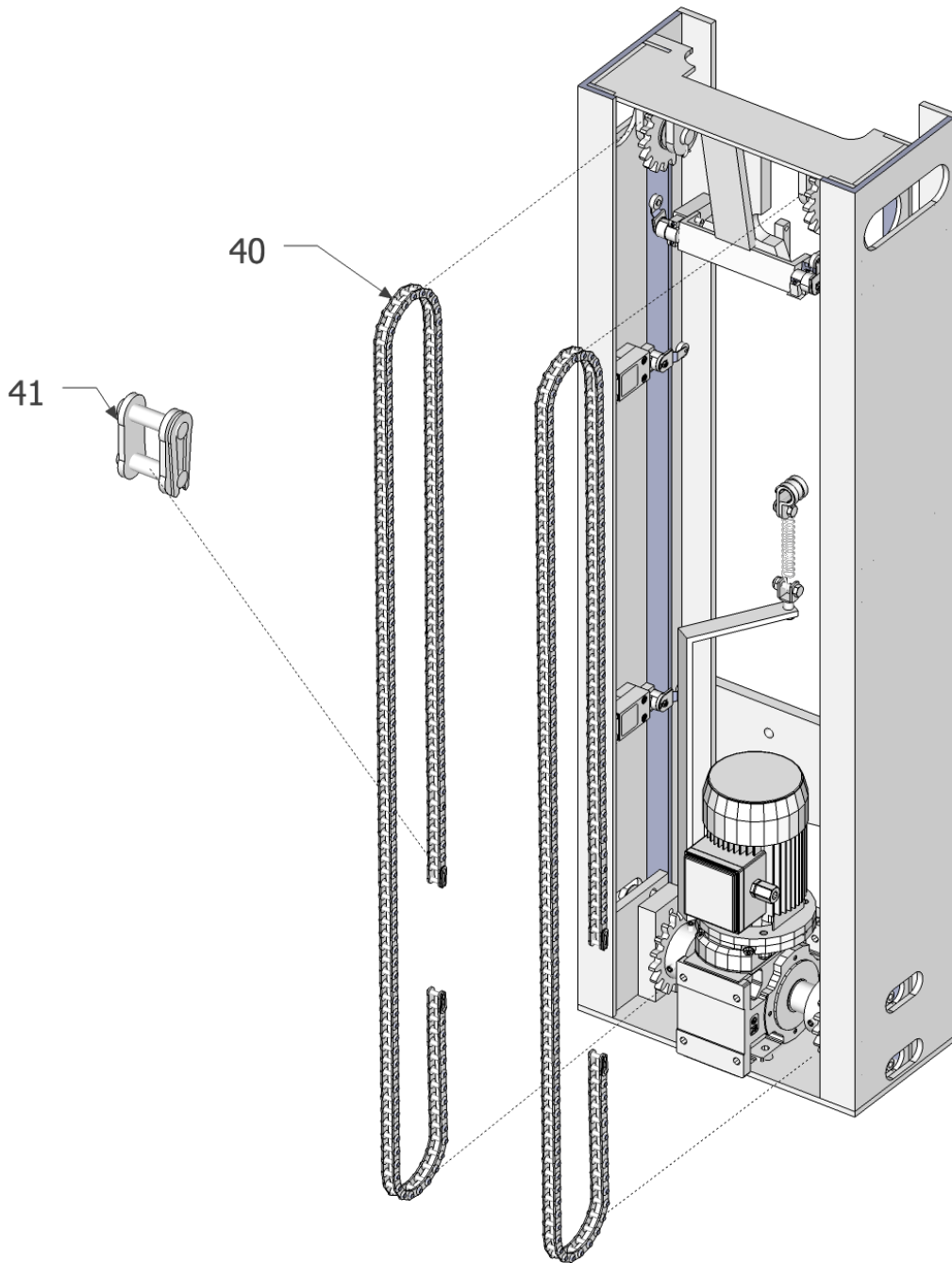
# HMT2914202Z Section D2



### HMT29142 Section D2

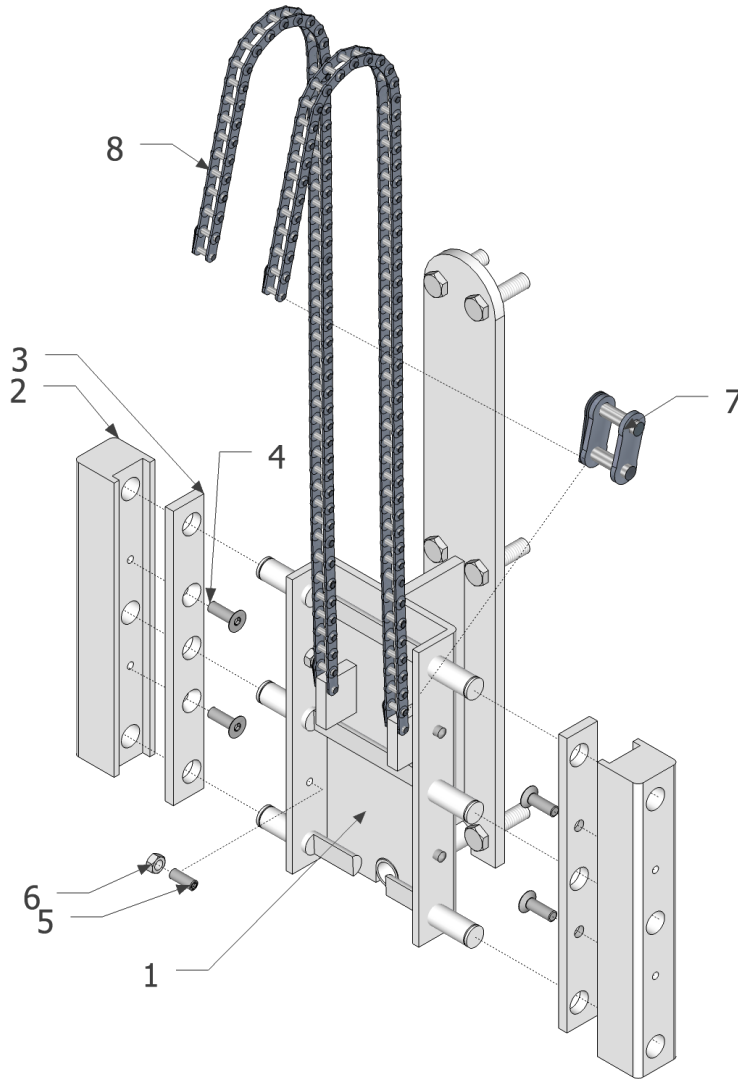
ID BOM	QTY	PART. NUM	DESCRIZIONE	CUSTOM. CODE	DESCRIPTION
1	1	HMT29142Z	COLONNA DI BASE DELTA/FRED ELETTRICO		BASE COLUMN DELTA/FRED
2	2	CO1387	TENDICATENA 1/2X5/16 Z18		TENSIONER 1/2X5/16 Z18
3	4	HB02025	RONDELLA 16x30		WASHER 16x30
4	4		Split Pin		Split Pin
5	4	HE25033	MICRO FA 4531-2DN PIZZATO		MICRO SWITCH FA 4531-2DN PIZZATO
6	8	HB01679	VITE 4X25 TBEI ZN 7380		SCREW 4X25 TBEI ZN 7380
7	1	FS18	FERMACAVO IN GOMMA FS18		CABLE RETAINER IN RUBBER FS18
8	2	HB03053	DADO 6 AUTOBLOCCANTE BASSO DIN985 ZN		LOW SELF-LOCKING NUT 6 DIN985 ZN
9	2	HB01037	VITE 6X16 TE ZN 5739		SCREW 6X16 TE ZN 5739
10	1	CO1437	MOLLA TENDICAVO ELIPY C/GANCI LATERALI L		SPRING TENSIONER ELIPY C / SIDE HOOKS L
11	1	HMT52006Z	FORCELLA M6 ZINCATA UNI1676		FORK M6 ZINC UNI1676
12	1	HB01110	VITE 6X25 TE ZN 5739		SCREW 6X25 TE ZN 5739
13	1	HMT31116	PIATTO SUPP. CAVI 135x315x35		FLAT CABLE MOUNT 135x315x35
14	1	HB02073	RONDELLA 6 GROWER ZN		WASHER 6 GROWER ZN
15	1	HMT16019-A	MOTORE 71C4TF B5 KW0,55TF 230/400 50HZ F		MOTOR 71C4TF B5 KW0,55TF 230/400 50HZ F
16	1	HMT19029	RIDUTTORE MR IV40 U03A I=10		GEAR MR IV40 U03A I=10
17	1	HM01114	ALBERO L=248 RIDUTTORE		SHAFT L = 248 ELECTRIC GEAR
18	2	HM0211-25	CHIAVETTA 6X6X25		KEY 6X6X25
19	1	HM02006	CHIAVETTA 8X7X50		KEY 8X7X50
20	2	HM03055	BOCCOLA FORATA E TORNITA		DRILLED BUSH
21	2	HM12023	PIGNONE 1/2 Z.18 C/MOZZO FORO D.2 LAVOR.		PINION 1/2 Z.18 C/MOZZO FORO D.2 LAVOR.
22	2	HM14081	DISTANZIALE D.28x4		SPACER D.28x4
23	2	HM06029	CUSCINETTO 6204 RS1		BEARING 6204 RS1
24	2	HM15011	SAPONETTA PORTACUSCINETTO		BEARING HOUSING
25	4	HB02014	RONDELLA 8X24 FE.GREMB ZN 6		WASHER 8X24 FE.GREMB ZN 6
26	4	HB02072	RONDELLA 8 GROWER ZN		WASHER 8 GROWER ZN
27	4	HB01231	VITE 8X35 TCEI ZN 5931		SCREW 8X35 TCEI ZN 5931
28	2	FMLKR00518	SUPPORTO MICRO GLIDER RIDE		MICRO HOUSING X GLIDER RIDE
29	8	HB02094	RONDELLA 4 GROWER ZN		WASHER 4 GROWER ZN
30	1	HB01195	VITE 8X40 TE INOX 5739		SCREW 8X40 TE INOX 5739
31	4	HB02072	RONDELLA 8 GROWER ZN		WASHER 8 GROWER ZN
32	8	HB03009	DADO 8 ESAGONALE ZN 5588		HEX NUT 8 ZN 5588
33	2	HM13084	PERNO L.60 TORNITO		BOLT

Property of MP-GROUP  
 May not be reproduced or copied  
 without the written permission of owner



ID BOM	QTY	PART. NUM	DESCRIZIONE	CUSTOM. CODE	DESCRIPTION
40	1,9 mt x 2	HM09001	CATENA 1/2X5/16 S FKK		CHAIN 1/2X5/16 S FKK
41	4	HM25001	GIUNZIONE X CATENA 1/2 X 5		JUNCTION CHAIN X 1/2 X 5

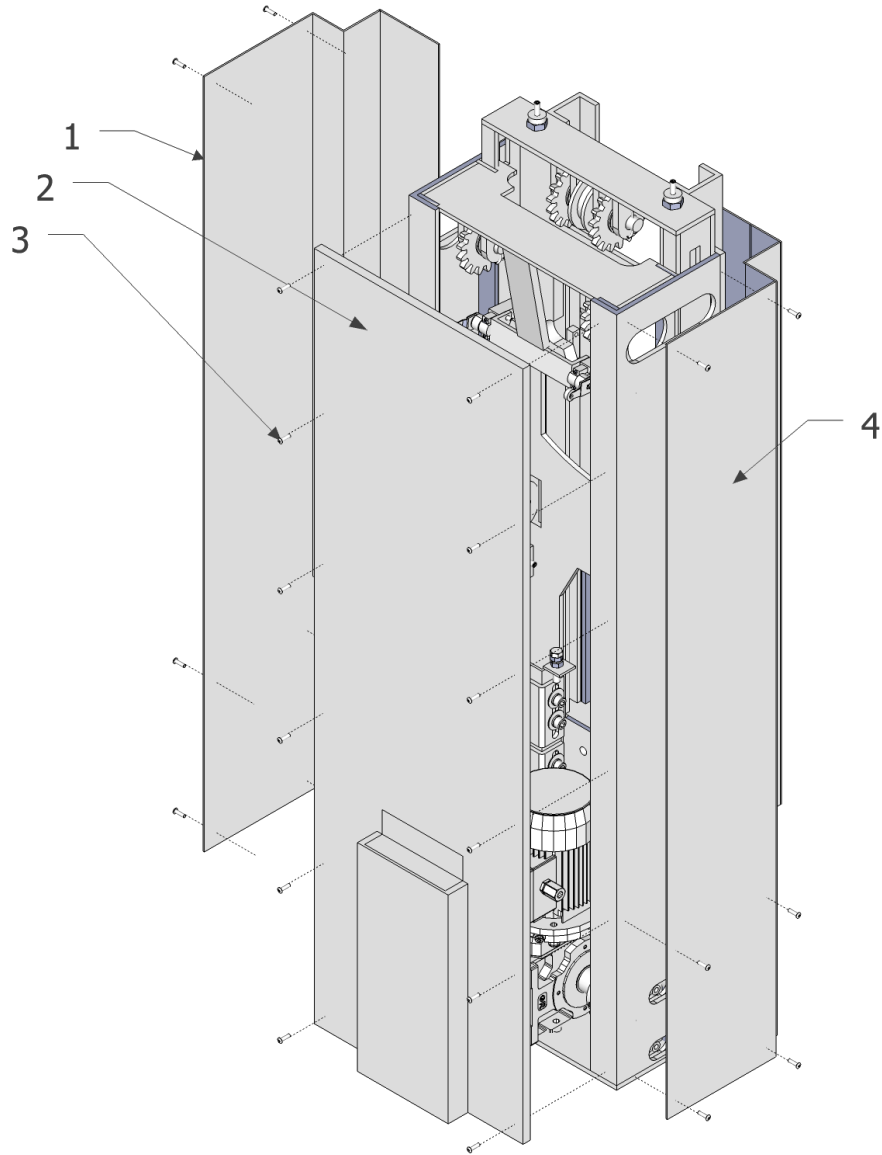
## HMT29144 Section D3



**HMT29144 Section D3**

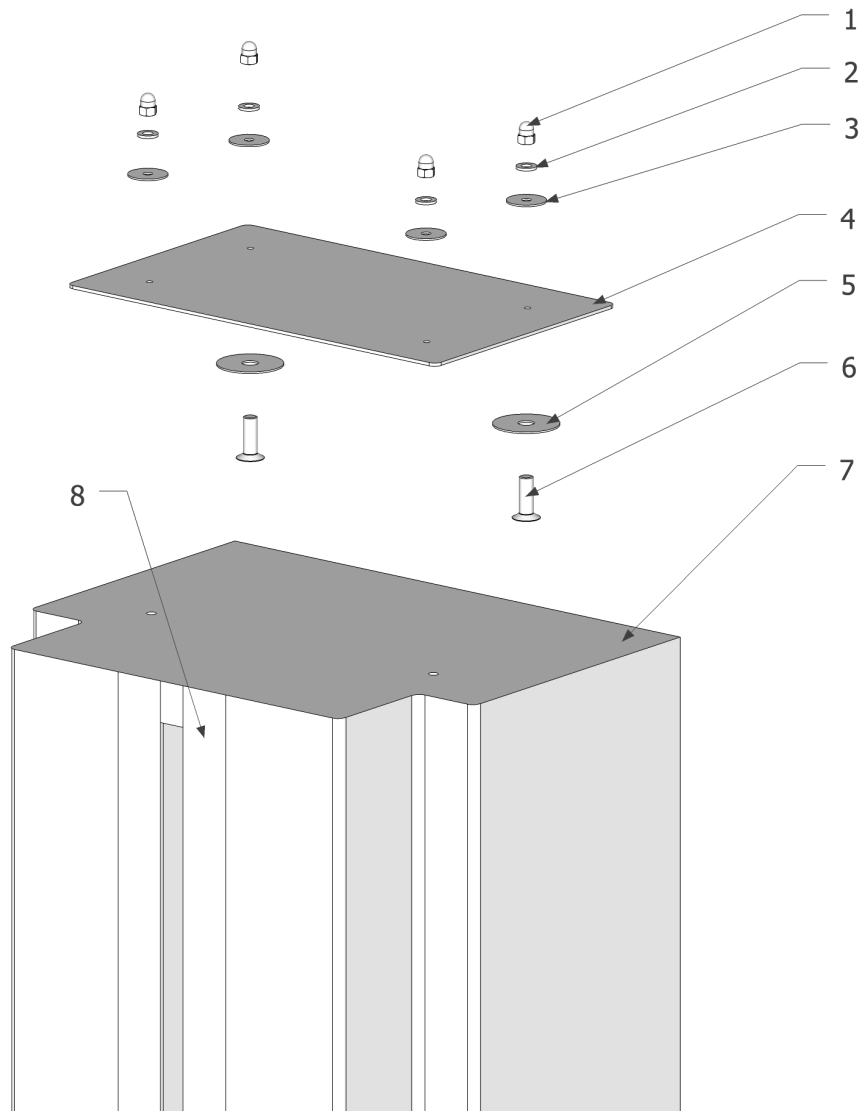
ID BOM	QTY	PART. NUM	DESCRIZIONE	CUSTOM. CODE	DESCRIPTION
1	1	HMT29144Z	SUPPORTO BICI X DELTA/FRED ELETTRICO		ELECTRIC DELTA FRED BIKE SUPPORT
2	2	HM40088	PATTINO IN POLIZENE X NEANDERTHAL ELETT.		POLITHENE RUNNER
3	2	HM18178	SUPPORTO PATTINO IN POLIZENE NEAND.ELETT		POLITHENE RUNNER SUPPORT
4	4	HB01071	VITE 8X20 TSPEI ZN 5933		SCREW 8X20 TSPEI ZN 5933
5	4	HB01229	VITE 8X20 STEI ZN 5927		SCREW 8X20 STEI ZN 5927
6	4	HB03009	DADO 8 ESAGONALE ZN 5588		HEX NUT 8 ZN 5588
7	0,65 mt x2	HM09001	CATENA 1/2X5/16 S FKK		CHAIN 1/2X5/16 S FKK
8	4	HM25001	GIUNZIONE X CATENA 1/2 X 5		JUNCTION CHAIN X 1/2 X 5

# HMT29400 - Section D4



HMT29400 - Section D4					
ID BOM	QTY	PART. NUM	DESCRIZIONE	CUSTOM. CODE	DESCRIPTION
1	1	HP18023	CARTER ANT. DX TERMOFORMATO DELTA FRED		TERMOFORMAT FRONT DX CARTER
2	1	HP18022	CARTER INFERIORE TERMOFORMATO DELTA FRED		TERMOFORMAT BACK CARTER
3	24	HB01517	VITE 4X14 TBEI INOX 7380		4x14 TBEI INOX 7380 SCREW
4	1	HP18024	CARTER ANT. SX TERMOFORMATO DELTA FRED		TERMOFORMAT FRONT SX CARTER

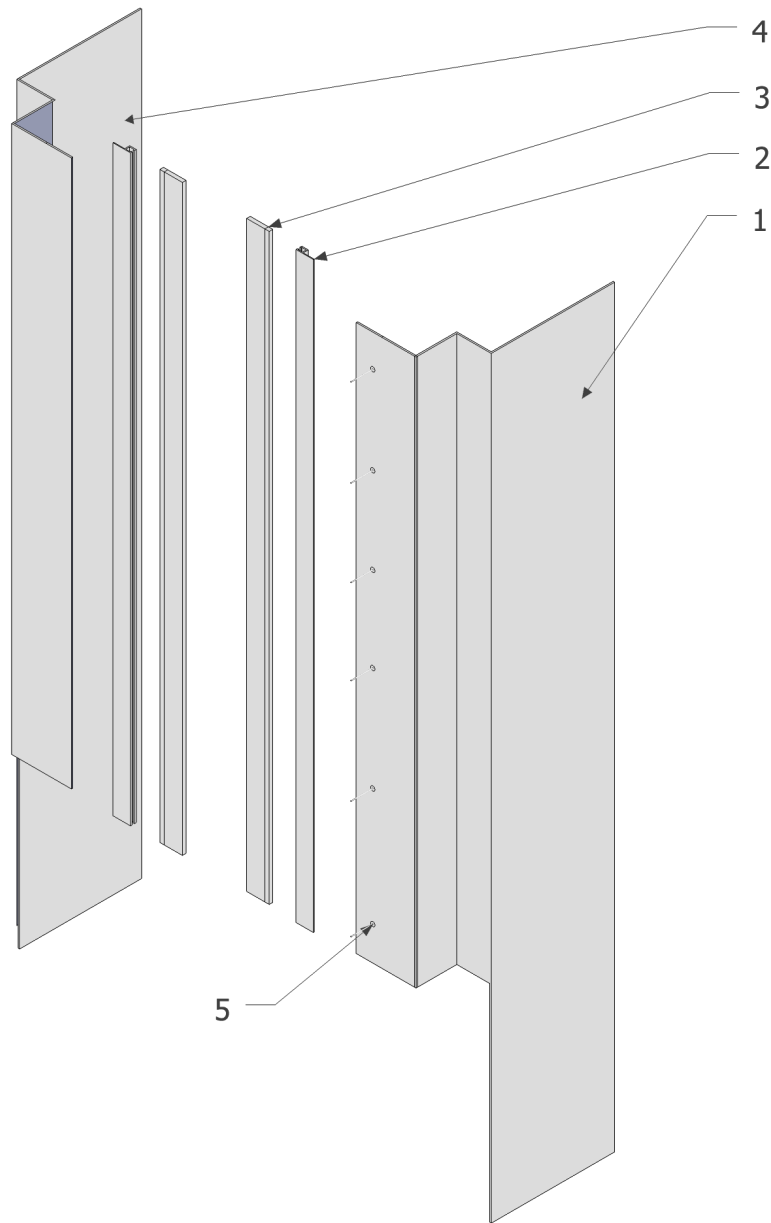
## HMT29400 - Section D5



HMT29400 - Section D5					
ID BOM	QTY	PART. NUM	DESCRIZIONE	CUSTOM. CODE	DESCRIPTION
1	4	HB03057	DADO 6 ESAGONALE CIECO ZN 5		6 HEX NUT BLIND ZN 5
2	4	HB02028	RONDELLA 6 PIANA ZN 6592		6 FLAT WASHER ZN 6592
3	4	HB02013	RONDELLA 6X24 FE.GREMB ZN 6		WASHER, 6X24 FE.GREMB ZN 6
4	1	HMT05152	LAMIERA 280x170x1,5 INOX LUCIDA		PLATE 280x170x1, 5 SHINY STEEL
5	2	HB02071	RONDELLA 10X40 FE.GREMB ZN		WASHER 10X40 FE.GREMB ZN
6	2	HB01071	VITE 8X20 TSPEI ZN 5933		SCREW 8X20 TSPEI ZN 5933
7	1	HP18021	CARTER SUPERIORE TERMOFORMATO DELTA FRED		TERMOFORMAT UPPER CARTER
8	NA	HC02015	NASTRO ADES. ALTE TEMP.ALL.NATUR. MM. 40		MM 40 HIGH TEMP TAPE

Property of MP-GROUP  
 May not be reproduced or copied  
 without the written permission of owner

## HMT29400 - Section D6



HMT29400 - Section D6					
ID BOM	QTY	PART. NUM	DESCRIZIONE	CUSTOM. CODE	DESCRIPTION
1	1	HP18023	CARTER ANT. DX TERMOFORMATO DELTA FRED		TERMOFORMAT FRONT DX CARTER
2	2	HP30006	GUAINA STRIP ALL BASE 5 ALLUMINIO 1261		BASE 5 1261 ALLUMINIUM STRIP SHEATH
3	2	HP30005	SPAZZOLA STRIP H32 MT. 2,5 ART.1120		H32 MT. 2,5 ART. 1120 STRIP BRUSH
4	1	HP18024	CARTER ANT. SX TERMOFORMATO DELTA FRED		TERMOFORMAT FRONT SX CARTER
5	12	HB05018	RIVETTO 3,8X16 TT ALL/AC		3,8X16 TT ALL/AC RIVET