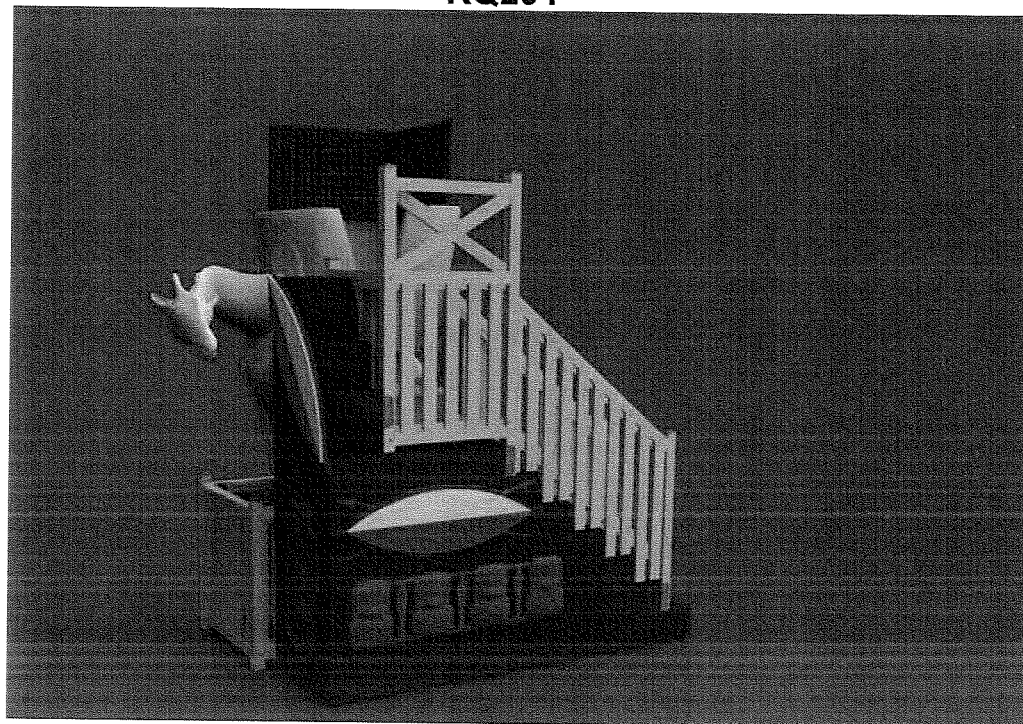




GIRAFFE

KQ294

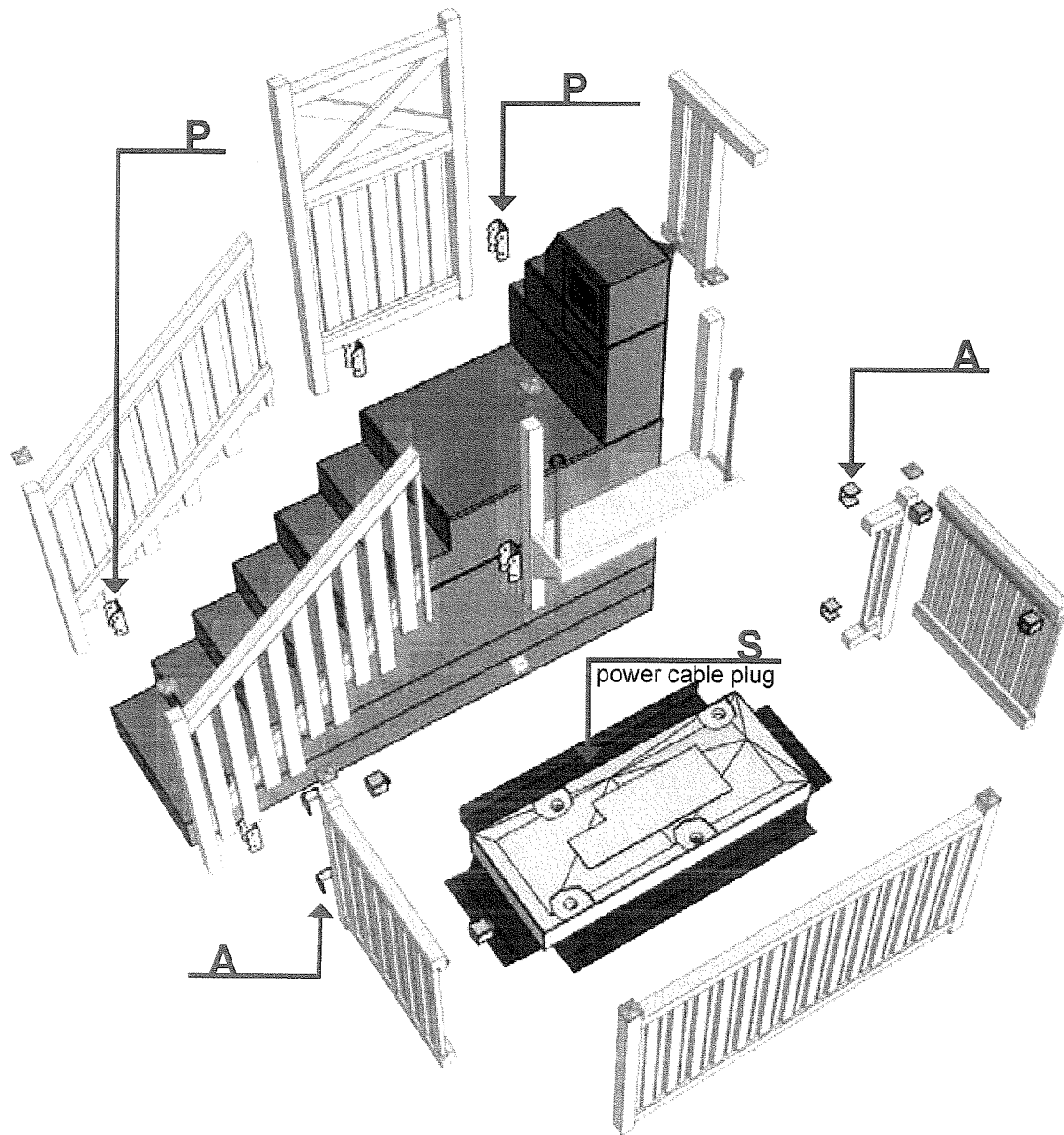


Installation

M.P. GROUP srl – Via Boetti 16 – 42124 Z.I. Mancasale – Reggio Emilia – ITALY
tel.: +39 0522 273601 – fax: +39 0522 273606
e-mail: info@memopark.it -web: www.memopark.it

Company subject to management and coordination of ARIEL TECNICA S.p.A.
Via Quarto Negrone, 54 00040 Ariccia (RM) – Tax Payer's Code 07183350581
The MEMOPARK brand is the property of M.P. GROUP srl

PRELIMINARY



WALL ASSEMBLING

Place the wall figure on the stair

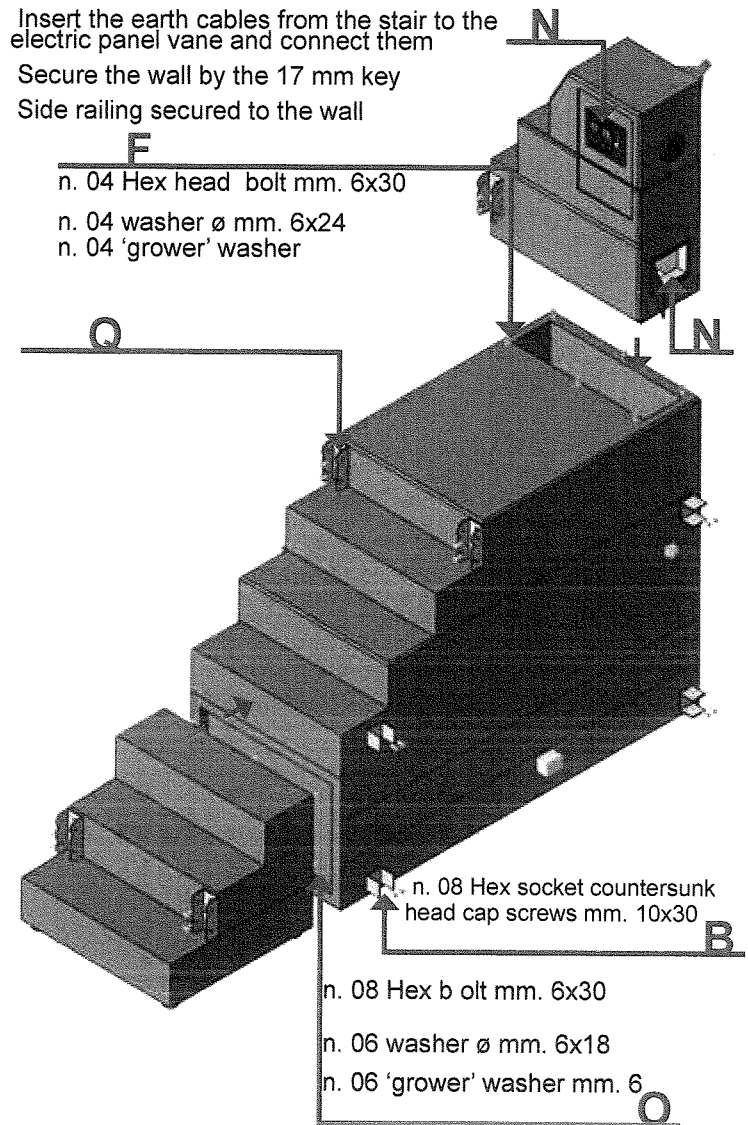
Holes for securing the side railing

Insert the cables from the stair into the holes located on the wall

Insert the earth cables from the stair to the electric panel vane and connect them

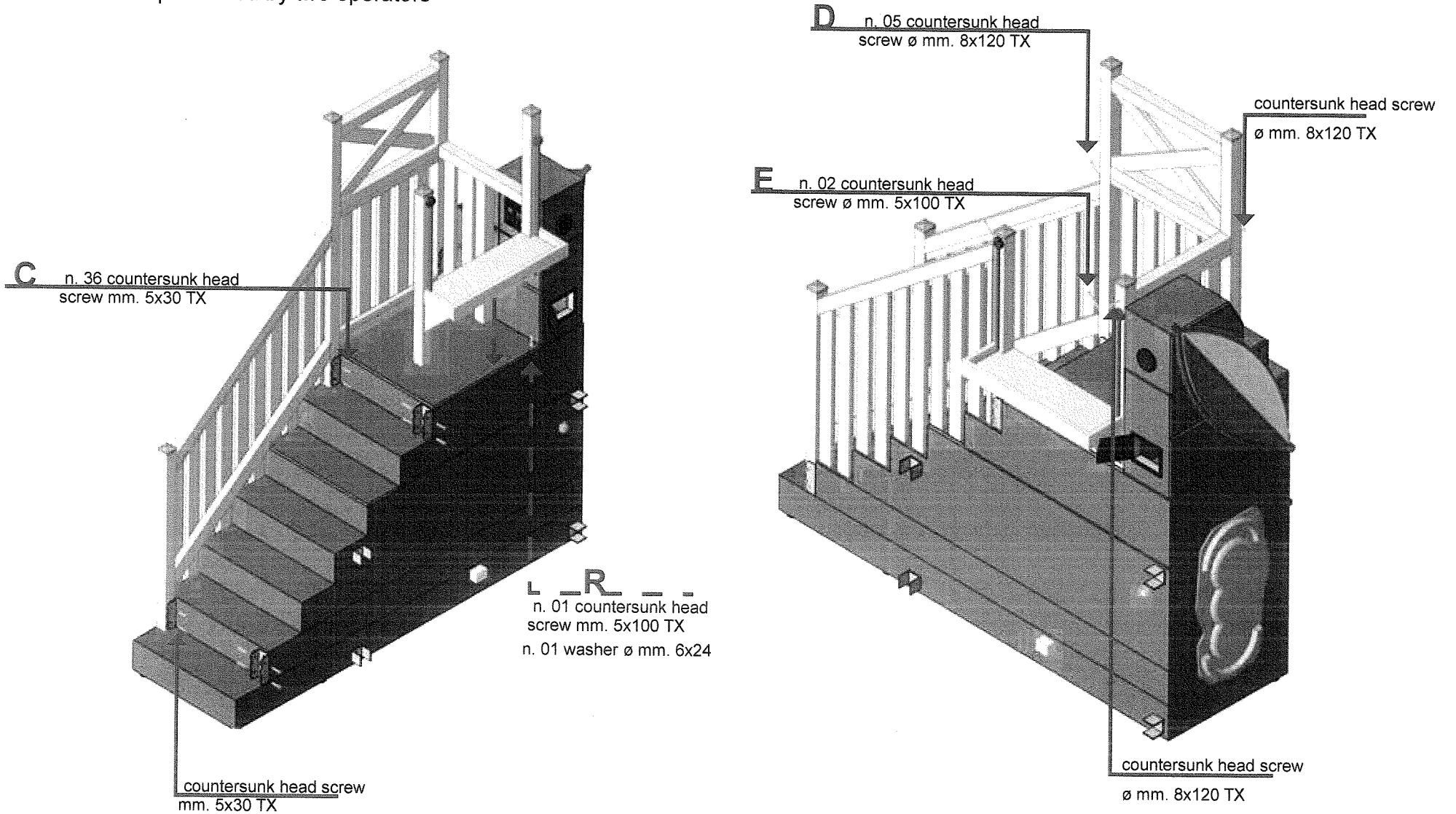
Secure the wall by the 17 mm key

Side railing secured to the wall



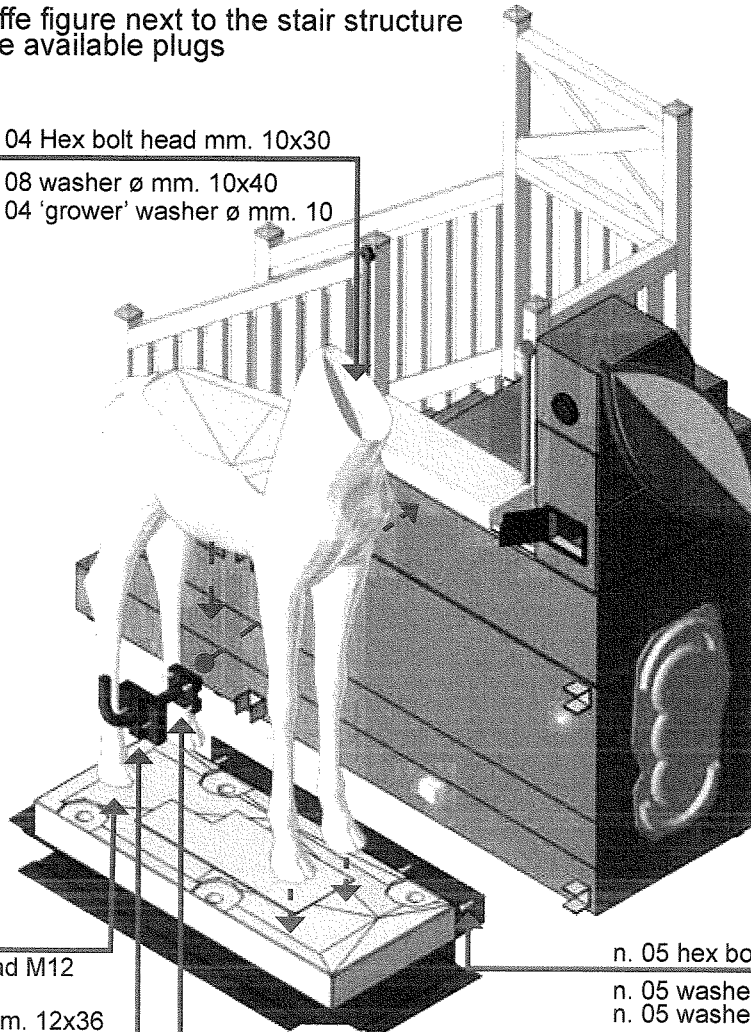
SIDE RAILING ASSEMBLING

Place the side railing onto the fibre glass stair and Tighten the screws to secure the side railing to the brackets; this has to be performed by two operators



Place the Giraffe figure next to the stair structure and connect the available plugs

- M** n. 04 Hex bolt head mm. 10x30
 n. 08 washer ø mm. 10x40
 n. 04 'grower' washer ø mm. 10



- n. 04 Nut hex head M12
 n. 04 washer ø mm. 12x36
 n. 04 'grower' washer

- G** n. 04 Hex bolt mm. 10x90
 n. 08 washer ø mm. 10x30
 n. 04 'grower' washer ø mm. 10

- H** n. 02 hex socket head cap screw allen key ø mm. 6x30
 n. 02 washer ø mm. 6x24

- J** n. 05 hex bold mm. 10x60
 n. 05 washer ø mm. 10x30
 n. 05 washer 'grower' ø mm. 10

SEDAN CHAIR ASSEMBLING

Remove the aluminum flooring

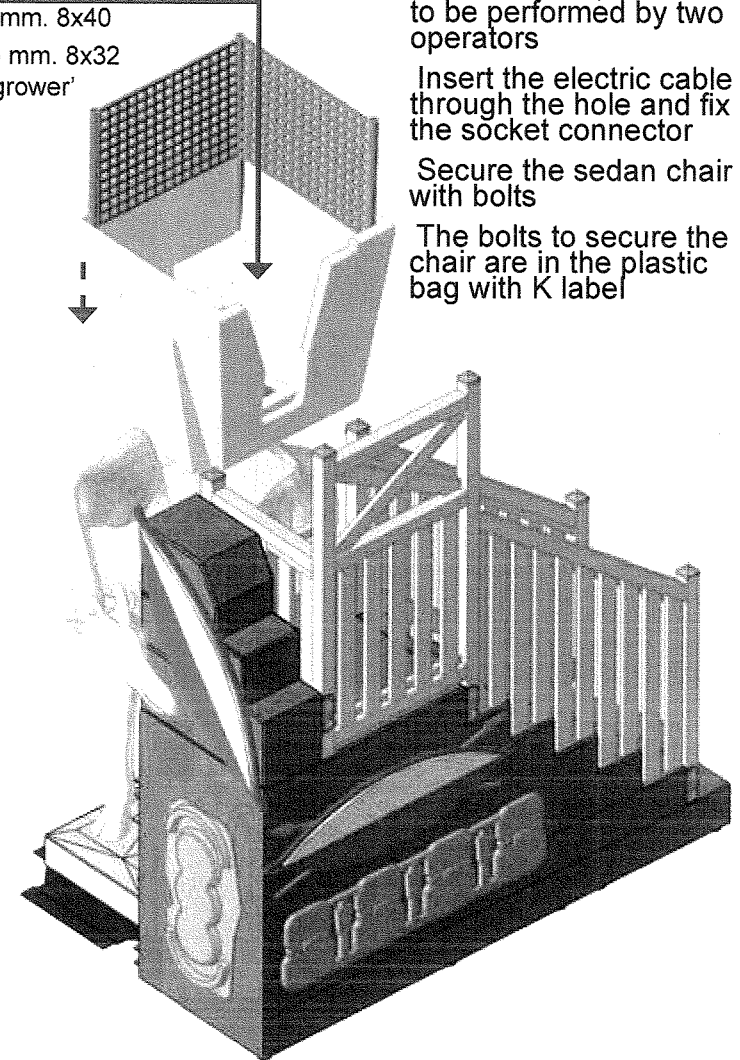
Place the sedan chair on the Giraffe; this has to be performed by two operators

Insert the electric cable through the hole and fix the socket connector

Secure the sedan chair with bolts

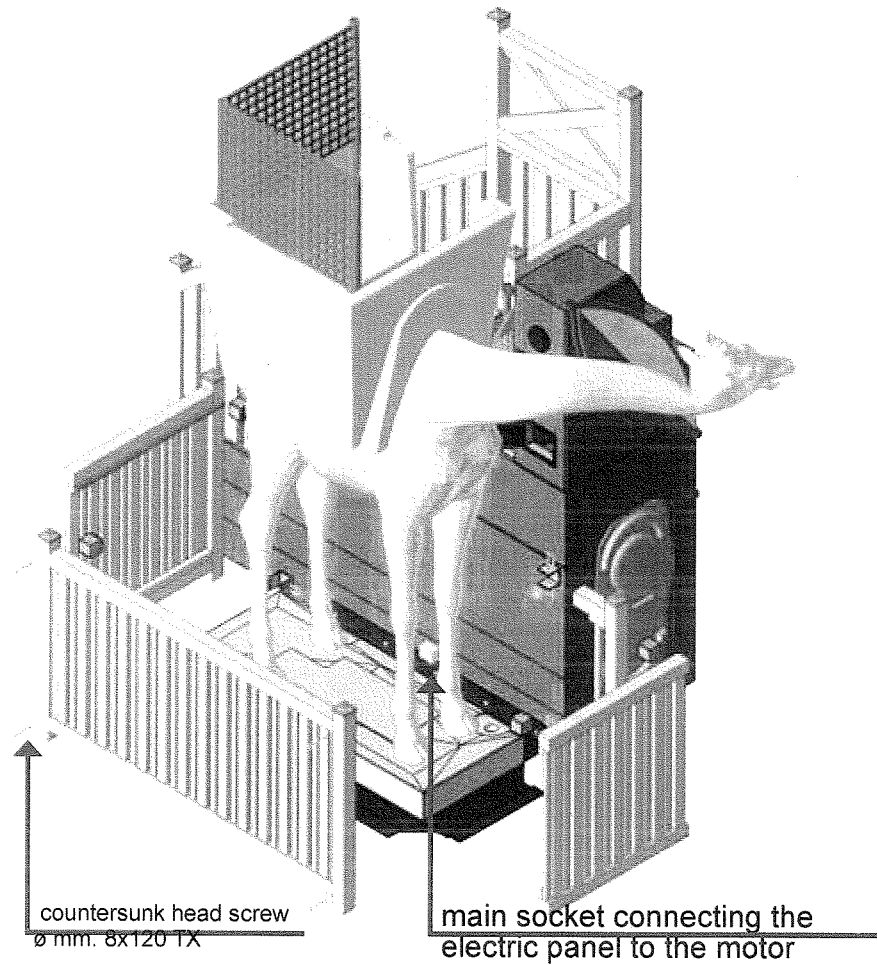
The bolts to secure the chair are in the plastic bag with K label

- K** n. 04 hex socket head cap screw allen key ø mm. 8x40
 n. 04 washer ø mm. 8x32
 n. 04 washer 'grower' ø mm. 8



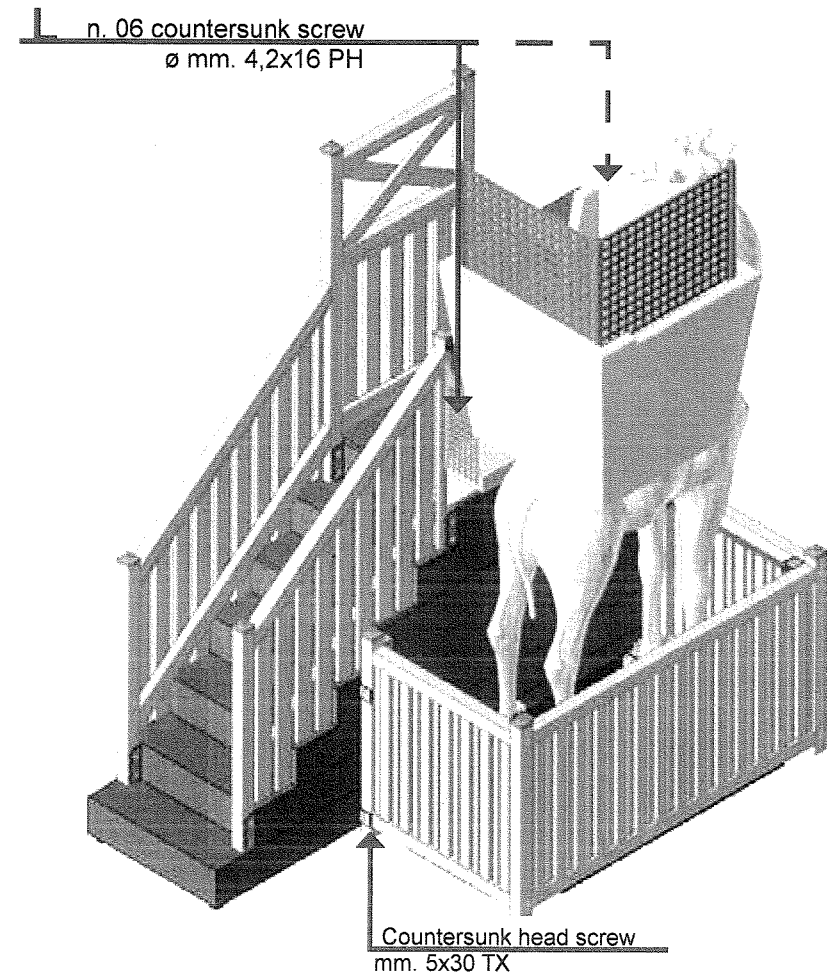
FENCE ASSEMBLING

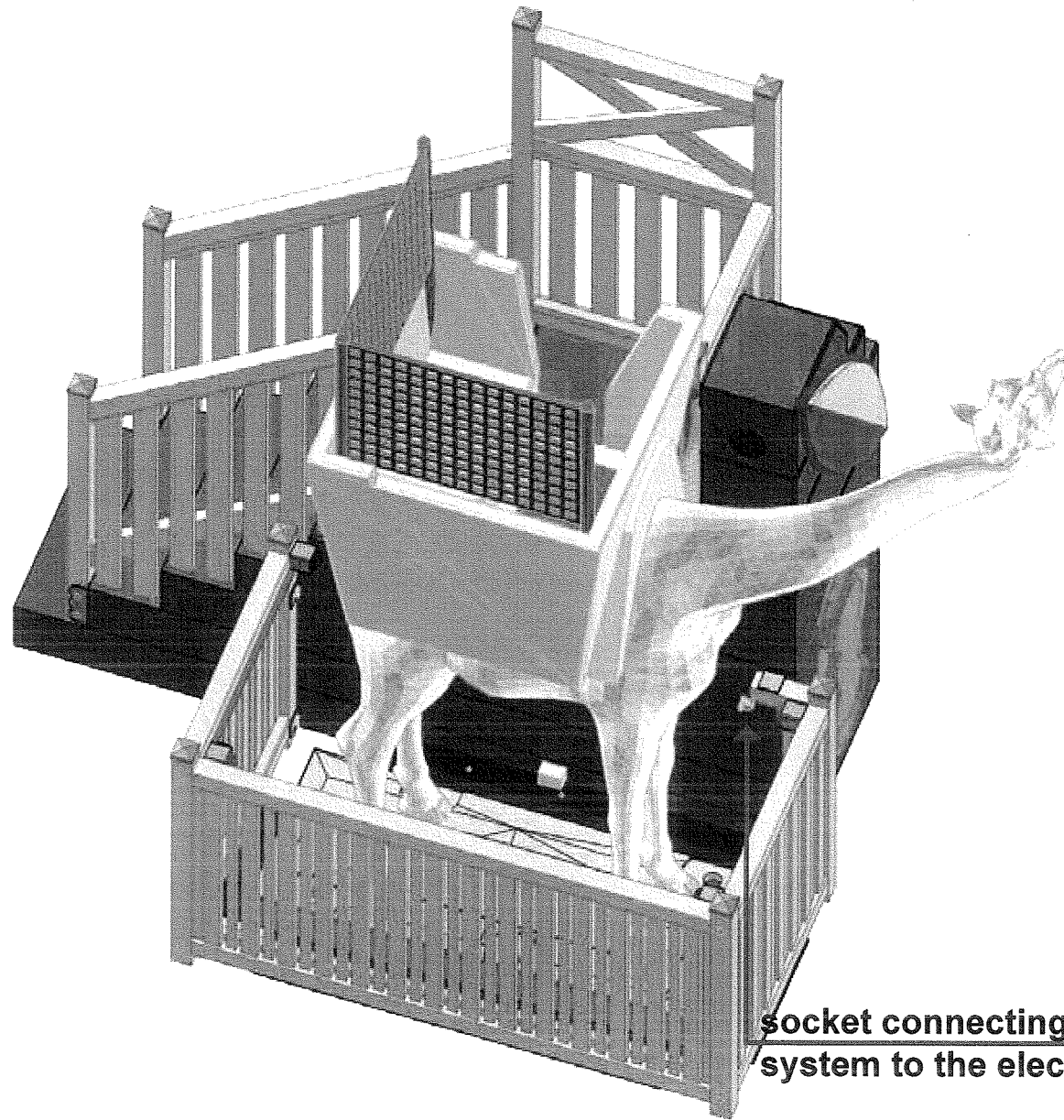
- Place the various parts of the fence near the Giraffe base
- Screw the fence components together
- Screw the fence to the fibre glass stair and connect sockets



SAFETY NETS SECURING

- On one side the stair is already equipped with safety nets
- On the other side secure the safety nets by screwing them to the sedan chair





View of the ride fully assembled

socket connecting safety
system to the electric board

A	U bracket mm. 70x70	n. 04		washer ø mm. 10x30	n. 05
B	Hex socket countersunk head cap screws mm. 10x30	n. 08		washer 'grower' ø mm. 10	n. 05
C	countersunk head screw mm. 5x30 TX	n. 36		K n. 04 hex socket head cap screw allen key ø mm. 8x40	
D	countersunk head screw ø mm. 8x120 TX	n. 05		washer ø mm. 8x32	n. 04
E	countersunk head screw ø mm. 5x100 TX	n. 02		washer 'grower' ø mm. 8	n. 04
F	Hex head bolt mm. 6x30	n. 04		L countersunk screw ø mm. 4,2x16 PH	n. 06
	washer ø mm. 6x24	n. 04		M Hex bolt head mm. 10x30	n. 04
	'grower' washer	n. 04		washer ø mm. 10x40	n. 08
G	Hex bolt mm. 10x90	n. 04		'grower' washer ø mm. 10	n. 04
	washer ø mm. 10x30	n. 08		N key	
	'grower' washer ø mm. 10	n. 04		O Hex bolt mm. 6x30	n. 08
H	hex socket head cap screw allen key ø mm. 6x30	n. 02		washer ø mm. 6x18	n. 06
	washer ø mm. 6x24	n. 02		'grower' washer mm. 6	n. 06
I	Nut hex head M12	n. 04		P U bracket mm. 80x60xH180	n.05
	washer ø mm. 12x36	n. 04		Q Hex socket countersunk head cap screws mm. 10x30	n. 10
	'grower' washer	n. 04		R countersunk head screw mm. 5x100 TX	n. 01
J	hex bold mm. 10x60	n. 05		washer ø mm. 6x24	n. 01
				S power cable plug	n. 01