

DIZZY LIZZY



IMPORTANT



Be Sure
to Read this
Manual
Before Use

Operation Manual



www.universal-space.com

CONTENT

IMPORTANT SAFETY INSTRUCTIONS.....	3
1. SPECIFICATIONS.....	5
2. PACKAGE CONTENTS.....	7
3. PART NAME.....	8
4. SET UP & INSTALLATION.....	9
5. HOW TO PLAY.....	12
6. IO SETTING.....	13
7. TROUBLE SHOOTINGS.....	17
8. MAINTENANCE & INSPECTION.....	20
9. OVERALL CONSTRUCTION.....	22
10. WIRING DIAGRAM.....	38

WE ARE HERE TO ASSIST
For parts and service



Have Questions? Contact us!

UNIS SERVICE CENTER

Tel: 972-241-4263

Email: service@unispartsandservice.com

Thank you for purchasing **Dizzy Lizzy**. We hope you enjoy the product.

This manual contains valuable information about how to operate and maintain your game machine properly and safely. It is intended for the owner and/or personnel in charge of product operation. Carefully read and understand the instructions.

If you need any help during installation and setup please utilize this manual and troubleshooting guide. If the product fails to function properly, *non-technical personnel should under no circumstance attempt to service the machine*. Contact your distributor or manufacturer for help.

Before use, please read **IMPORTANT SAFETY INSTRUCTIONS**.

IMPORTANT SAFETY INSTRUCTIONS

To ensure the safe usage of this product, carefully read and understand these instructions before operating your game.

Save these instructions for future reference.

Use this product only as described in this manual. Other uses not recommended may cause fire, electric shock or personal injury. Unplug the game from the outlet when not in use, when moving from one location to another, and before cleaning/servicing.

Explanations which require special attention are indicated by signs of warning. Depending on the potential hazardous degree, the terms: **NOTE**, **NOTICE**, and **WARNING** are used.

NOTE: A NOTE indicates useful hints or information about product usage.

NOTICE: A NOTICE indicates potential damage to product and how to avoid the problem.

WARNING: A WARNING indicates a potential for product damage or serious personal injury.

It is important to understand the meaning of the following HAZARD SIGNS before continuing:

High Voltage and Shock Hazard:

High voltage can cause electric shock.
Turn off/unplug power before servicing.



High Temperature Hazard:

This part may cause scalding.
Do not touch. Surface may be hot.



No Touching Hazard:

This part may be hot or can cause electric shock.
Do not touch.



Use the following safety guidelines to help ensure your own personal safety and to help protect your equipment and surrounding environment from potential damage.

 **This product is an indoor game machine. Do not install outdoors.**

Avoid installing in the following places to prevent fire, electric shock, injury and/or machine malfunctioning:

- Places subject to rain/moisture, or places subject to high humidity.
- Places subject to direct sunlight, or places subject to extremely hot or cold temperatures to ensure that it is used within the specified operating range.
- Places where inflammable gas may be present or in the vicinity of highly inflammable/volatile chemicals or items that can easily catch fire
- On unstable or sloped surfaces. The machine may topple or cause unforeseen accidents.
- Vicinity of fire exits, fire extinguishers etc that may block/prevent safety measures

IMPORTANT NOTE:

ALL REPAIRS MUST BE DONE TO ORIGINAL MANUFACTURER SPECIFICATIONS. FAILURE TO DO SO VOID ALL WARRANTIES AND OPERATOR ASSUMES ALL RISKS.

Note: The contents of this manual may be updated without notice.

1. SPECIFICATIONS

Rated power supply: AC110V 50/60Hz; AC220V 50/60Hz

Min. Power consumption: 70W

Max. Power consumption: 135W

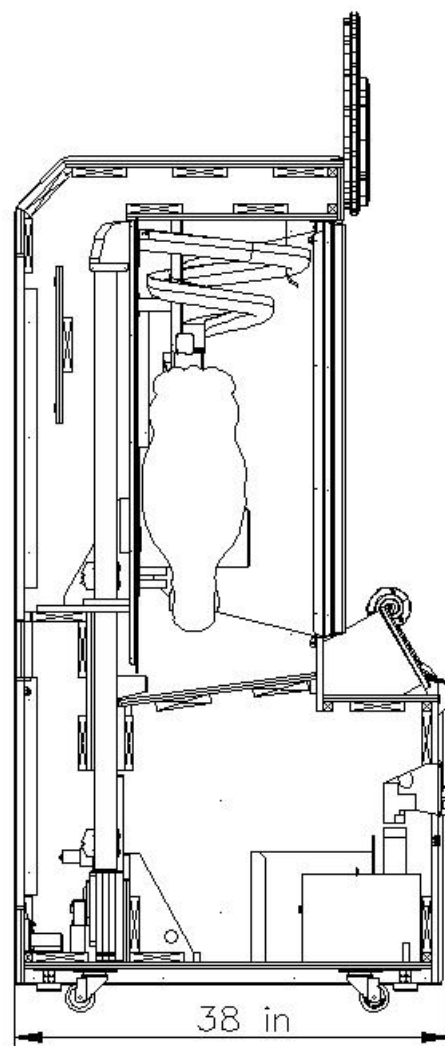
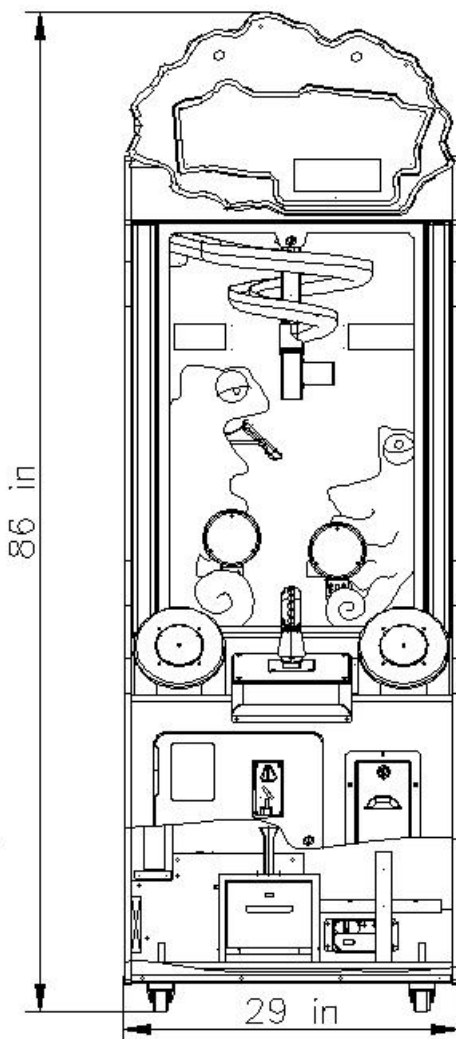
Dimension: W29×D 38×H 86 in

Weight: Approximately 322 lb

Part No.: D137

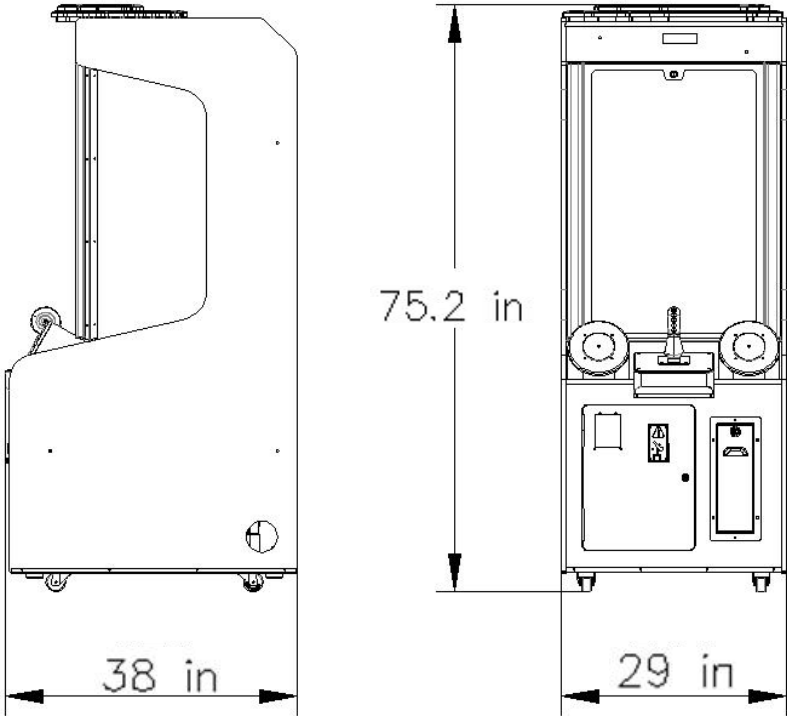
Model No: A-406

! **NOTICE:** After turning off the game, please wait at least 1 minute before restarting again.



The dimension of the game during transportation.

W29×D38×H75.2 in



Note: Game specifications are subject to change without notice.

2. PACKAGE CONTENTS

Open the package and make sure all the items are included:

1. Following accessories

No.	Part No.	Code No.	Name	QTY	Picture
1	D140-301-000	20101048005	Hexagon flat round head screws	2	
2	D140-302-000	20113000053	C large washer	2	
3	D140-303-000	25300171002	Key	2	
4	D140-304-000	25300172002	Key	2	
5	D140-305-000	410000170	Ping pong(yellow)	7	
6	D140-306-000	410000171	Ping pong(red)	7	
7	D140-307-000	410000172	Ping pong(blue)	7	
8	D140-308-000	21901000013	Fuse($\Phi 5 \times 20$ mm T10A)	1	
9	D140-309-000	23301000001	Power cord	1	
10	D140-310-000		Manual	1	

NOTE: Part models are subject to change without notice.

3. PART NAME



4. SET UP & INSTALLATION

⚠ NOTICE

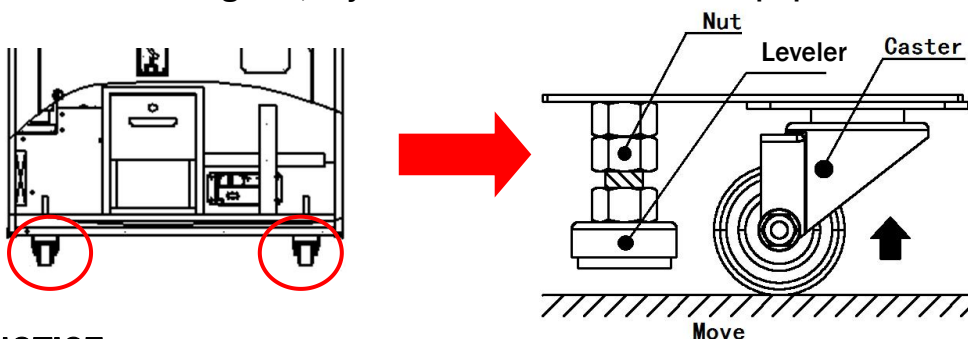
We do not recommend using power tools as they may cause damage.

⚠ **This product is an indoor game machine. Do not install outdoors.**

- Refer to IMPORTANT SAFETY INSTRUCTIONS (Pg. 3) for places to avoid.
- Place the unit on a dry level surface.
- Ventilation openings in the back of the unit must not be obstructed by objects or by wall.

4.1 Transporting the Game

If you need to move the game, adjust the levelers back to an “up” position.



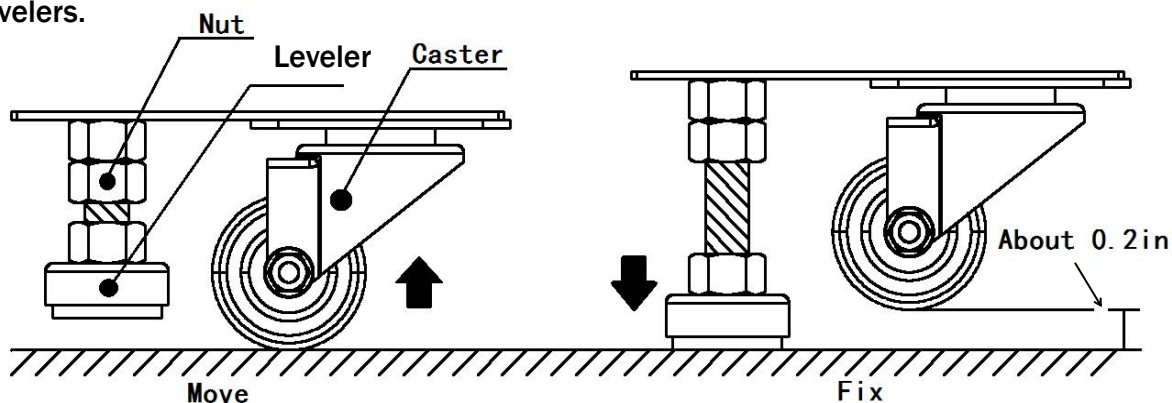
⚠ NOTICE

- Be careful not to damage the machine during transport.
- Always unplug the game before moving.
- Keep the machine in upright position during transport.
- For longer distance transport, package the game properly to prevent damages.

4.2 Level Adjustment

Install this game on a flat surface. If the game is installed on an unsuitable floor, it could cause game malfunction.

To secure the game, loosen the nut, utilize wrench to adjust the leveler down until it touches the floor, lifting the casters off the ground by 0.2 in. Repeat the same for all levelers.



⚠ NOTICE

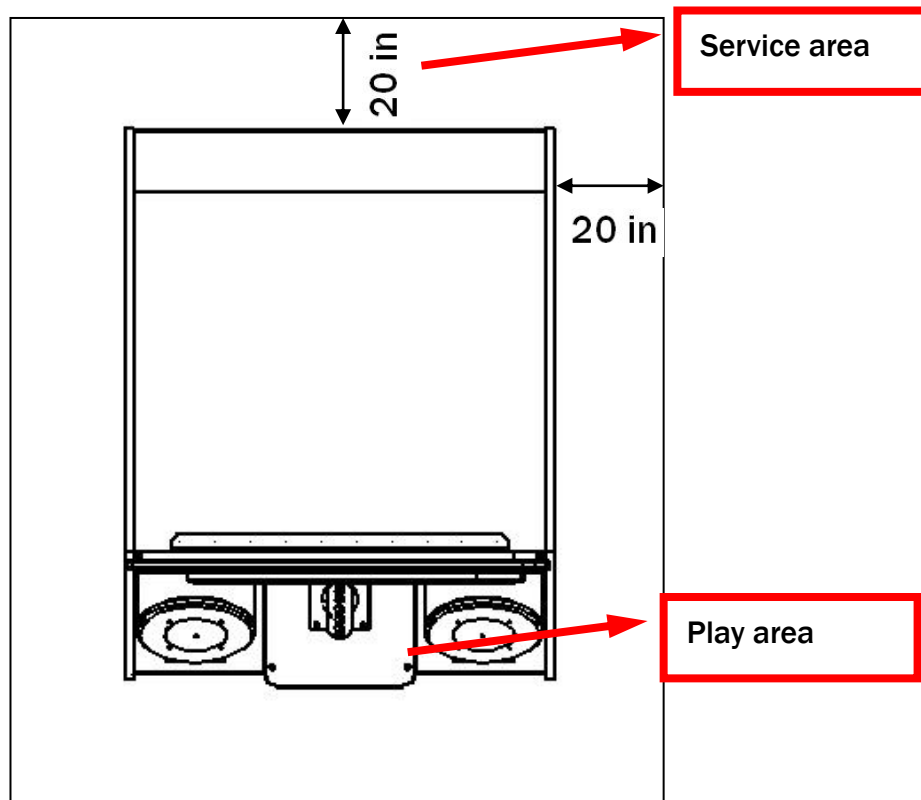
Make sure the machine is level.

4.3 Play Zone

This machine requires space for playing and for maintenance as shown below.

Leave space around the game upon installation:

Service area: 20 in




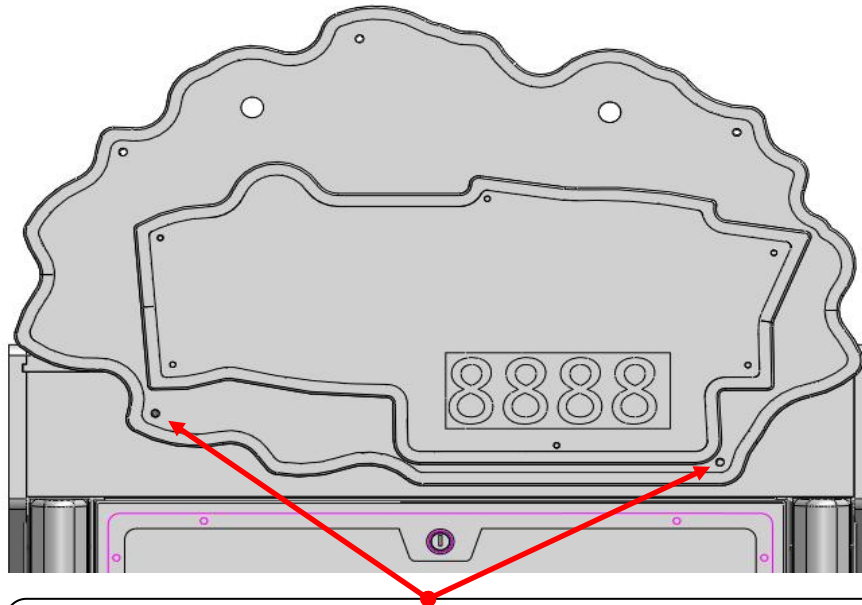
NOTICE

Your unit must be leveled to operate properly.

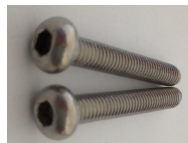

4.4 Marquee installation

Before processing with assembly assure you have the following tool.

No.	Name	Picture	Use for
1	Allen hexagon wrenches		Marquee installation



Use Hexagon flat round head screws and C large washers to lock the marquee.

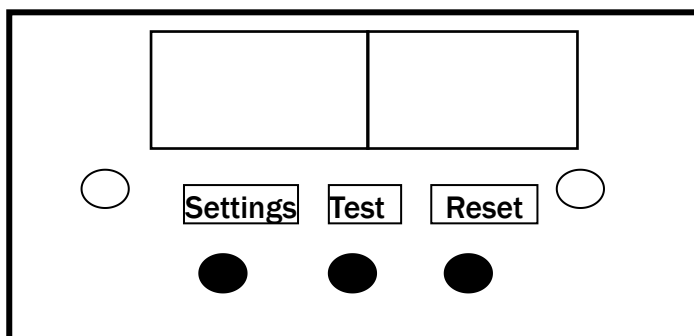
No.	Part No.	Code No.	Name	Picture	Qty
1	D140-301-000	20101048005	Hexagon flat round head screws		2
2	D140-302-000	20113000053	C large washer		

5. HOW TO PLAY



6. IO SETTING

6.1 Adjustment button instruction



Open the coin door and there is a meter panel. Press test button to get into the setting menu.

6.2 IO setting

SW 1

Item	Content	SW1	
		1	2
Coin per game	1	ON	ON
	2	off	on
	3	on	off
	4	off	off

Item	Content	SW1		
		3	4	5
Balls per game	10 balls	on	on	on
	15 balls	off	on	on
	20 balls	ON	OFF	ON
	30 balls	off	off	on
	40 balls	on	on	off
	50 balls	off	on	off

Item	Content	SW1
		6
Ticket payout ratio*	1: 1	ON
	2: 1	off

Ticket payout ratio*	1: 1	Ticket payout as one to one
	2: 1	Ticket payout will be divided by 2

Item	Content	SW1
		8
Save Memory	Yes	ON
	No	off

Item	Content	SW1
		7
Demo music	Yes	ON
	No	off

SW 2

Item	Content	SW2		
		1	2	3
Bonus Score	A group	ON	ON	ON
	B group	off	on	on
	C group	on	off	on
	D group	off	off	on
	E group	on	on	off

Item	Content	SW2		
		4	5	6
Bonus Payout Ticket	200	on	on	on
	300	off	on	on
	400	on	off	on
	500	off	off	on
	600	ON	ON	OFF
	800	off	on	off
	1000	on	off	off
	1500	off	off	off

Bonus score:

Balls per game	A group	B group	C group	D group	E group
10 balls	1000	900			
15 balls	1500	1400			
20 balls	2000	1900	1800		
30 balls	3000	2900	2800	2700	
40 balls	4000	3900	3800	3700	3600
50 balls	5000	4900	4800	4700	4600

Item	Content	SW2
		7
Ticket payout	Yes	ON
	No	off

Item	Content	SW2
		8
Out of ticket	Continue	ON
	Call attendant	off

SW 3

Item	Content	SW3			
		1	2	3	4
Score groups	A	on	on	on	on
	B	off	on	on	on
	C	on	off	on	on
	D	OFF	OFF	ON	ON
	CEC	off	off	off	off

Item	Content	SW3
		5
Shoot ball Mode*	Continuously	on
	Once	OFF

Shoot ball mode**:	Continuously:	Player pulls the joystick and hold still, the tongue will move in and out continuously.
	Once:	Player pulls the joystick once, the tongue moves once. Players need to pull the joystick repeatedly.

10 balls score group:

Score	0-400	500-600	700	800 - < bonus score	≧ bonus score
A	1 ticket(s)	5 ticket(s)	15 ticket(s)	20 ticket(s)	bonus ticket(s)
B	3 ticket(s)	10 ticket(s)	20 ticket(s)	30 ticket(s)	bonus ticket(s)
C	5 ticket(s)	15 ticket(s)	30 ticket(s)	50 ticket(s)	bonus ticket(s)
D	10 ticket(s)	20 ticket(s)	50 ticket(s)	100 ticket(s)	bonus ticket(s)
CEC	1 ticket(s)	3 ticket(s)	5 ticket(s)	7 ticket(s)	bonus ticket(s)

15 balls score group:

Score	0-700	800-900	1000-1100	1200 - < bonus score	≧ bonus score
A	1 ticket(s)	5 ticket(s)	15 ticket(s)	20 ticket(s)	bonus ticket(s)
B	3 ticket(s)	10 ticket(s)	20 ticket(s)	30 ticket(s)	bonus ticket(s)
C	5 ticket(s)	15 ticket(s)	30 ticket(s)	50 ticket(s)	bonus ticket(s)
D	10 ticket(s)	20 ticket(s)	50 ticket(s)	100 ticket(s)	bonus ticket(s)
CEC	1 ticket(s)	3 ticket(s)	5 ticket(s)	7 ticket(s)	bonus ticket(s)

20 balls score group:

Score	0-900	1000-1300	1400-1500	1600 - < bonus score	≧ bonus score
A	1 ticket(s)	5 ticket(s)	15 ticket(s)	20 ticket(s)	bonus ticket(s)
B	3 ticket(s)	10 ticket(s)	20 ticket(s)	30 ticket(s)	bonus ticket(s)
C	5 ticket(s)	15 ticket(s)	30 ticket(s)	50 ticket(s)	bonus ticket(s)
D	10 ticket(s)	20 ticket(s)	50 ticket(s)	100 ticket(s)	bonus ticket(s)
CEC	1 ticket(s)	3 ticket(s)	5 ticket(s)	7 ticket(s)	bonus ticket(s)

30 balls score group:

Score	0-1400	1500-2000	2100-2300	2400 - < bonus score	≧ bonus score
A	1 ticket(s)	5 ticket(s)	15 ticket(s)	20 ticket(s)	bonus ticket(s)
B	3 ticket(s)	10 ticket(s)	20 ticket(s)	30 ticket(s)	bonus ticket(s)
C	5 ticket(s)	15 ticket(s)	30 ticket(s)	50 ticket(s)	bonus ticket(s)
D	10 ticket(s)	20 ticket(s)	50 ticket(s)	100 ticket(s)	bonus ticket(s)
CEC	1 ticket(s)	3 ticket(s)	5 ticket(s)	7 ticket(s)	bonus ticket(s)

40 balls score group:

Score	0-1900	2000-2700	2800-3100	3200-<bonus score	≧ bonus score
A	1 ticket(s)	5 ticket(s)	15 ticket(s)	20 ticket(s)	bonus ticket(s)
B	3 ticket(s)	10 ticket(s)	20 ticket(s)	30 ticket(s)	bonus ticket(s)
C	5 ticket(s)	15 ticket(s)	30 ticket(s)	50 ticket(s)	bonus ticket(s)
D	10 ticket(s)	20 ticket(s)	50 ticket(s)	100 ticket(s)	bonus ticket(s)
CEC	1 ticket(s)	3 ticket(s)	5 ticket(s)	7 ticket(s)	bonus ticket(s)

50 balls score group:

Score	0-2400	2500-3400	3500-3900	4000 - < bonus score	\geq bonus score
A	1 ticket(s)	5 ticket(s)	15 ticket(s)	20 ticket(s)	bonus ticket(s)
B	3 ticket(s)	10 ticket(s)	20 ticket(s)	30 ticket(s)	bonus ticket(s)
C	5 ticket(s)	15 ticket(s)	30 ticket(s)	50 ticket(s)	bonus ticket(s)
D	10 ticket(s)	20 ticket(s)	50 ticket(s)	100 ticket(s)	bonus ticket(s)
CEC	1 ticket(s)	3 ticket(s)	5 ticket(s)	7 ticket(s)	bonus ticket(s)

Item	Content	SW4
		1
Game mode	Free	on
	Coins	OFF

Item	Content	SW3		
		6	7	8
Side light& Speaker light	Random	ON	ON	ON
	Red	off	on	on
	Blue	on	off	on
	Green	off	off	on
	Yellow	on	on	off
	Purple	off	on	off
	Blue	on	off	off
	White	off	off	off

7. TROUBLE SHOOTINGS

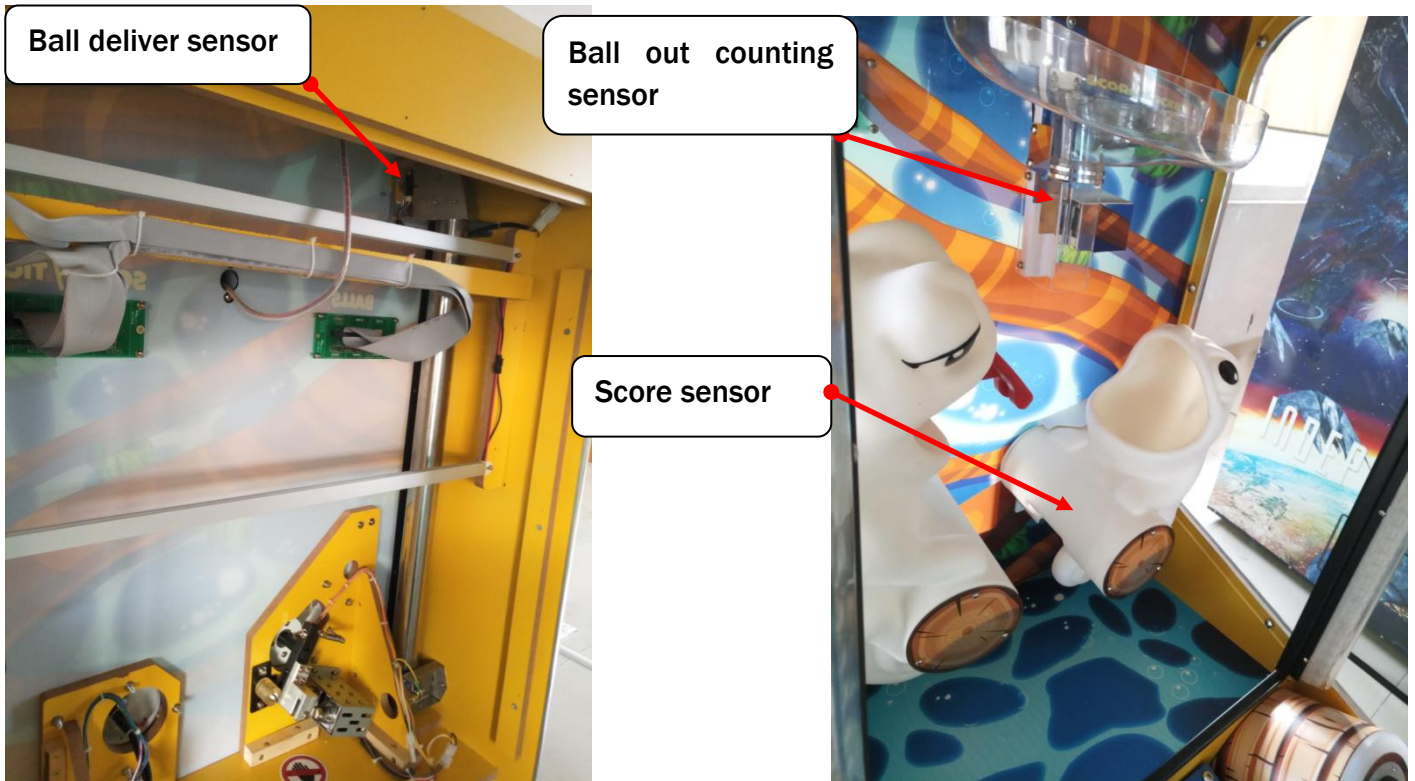
7.1 Common Problem


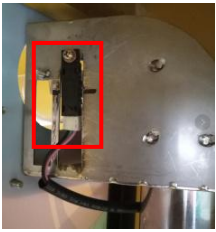

Please confirm whether every connector connected tightly.

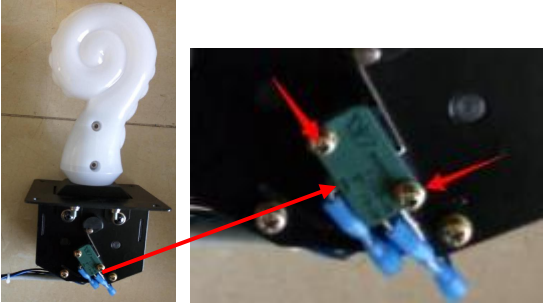


Symptom	Possible Cause	Recommended action
Game will not start	Frame assembly connector is loose.	Plug the connector tightly.
	Frame assembly fault	Contact with UNIS Service.
Power cutting	Circuit protector make power SW in cutting state	Turn on power SW again. If appeared again and again, machine has anomaly. Please contact with UNIS Service.
Game will not coin up	Coin mech. fault or sample coin not installed.	Change coin mech. or sample coin.
	Coin mech. signal cable loose.	Check coin mech. signal cable loose.
	IO control board no signal.	Change IO board.
No ticket dispensing	Out of ticket.	Add ticket and press reset button
	Ticket jamming.	Remove the jammed tickets and press reset button.
	Wrong connection.	Check the connections.
No sound	Volume set too low.	Raise the volume.
	Connector loose.	Plug in connector tightly.
	PCB fault.	Change PCB.
	Speaker fault.	Change speaker.
	POT installation error.	Install POT correctly.
	POT fault.	Change POT.
	Audio cable problem.	Reconnect the audio cable or change it.
	PC crash.	Restart or system recovery.
Driver problem	Restart the audio driver.	

7.2 Error code

If you see following error code showing on the display, please try the recommended action.



Error Code	Error	Recommended action
Er01	Settings button	Check the connection of the buttons. Replace the buttons.
Er02	Test button	
Er03	Reset button	
Er04	Ball deliver sensor error	Check the connection of the sensor. Replace the sensor. 
Er05	Ball out counting sensor error	Check the connection of the sensor. Replace the sensor. 

Error Code	Error	Recommended action
Er06	Joystick button error	<p>Check the connection of the button. Replace the button.</p> 
Er09	Score sensor error	<p>Check the connection of the sensor. Replace the sensor.</p> 
HELP	Out of ticket	<p>Please check the connection. Add ticket or remove the jammed tickets, then press reset button.</p> 
E83	Coin mech. error	<p>Change coin mech. or sample coin. Check the connection. Replace the Coin mech.</p>
E84	Coin mech. error	<p>Change coin mech. or sample coin. Check the connection. Replace the Coin mech.</p>

8. MAINTENANCE & INSPECTION

8.1 Safety Check

Check the points listed before operating the machine. These checks are necessary for safe machine operation:

1. Test game before operation each day.
2. Conduct monthly routine checks of game components ensure good working condition
3. Check the machine regularly for dust and clean when necessary.

Note: Parts and components require preventative maintenance to maintain proper operation.

8.2 Handling Precautions


When installing or inspecting the machine, be very careful of the following points and pay attention to ensure that the player can enjoy the game safely.

Non-compliance with the following points or inappropriate handling running counter to the cautionary matters herein stated can cause personal injury or damage to the machine

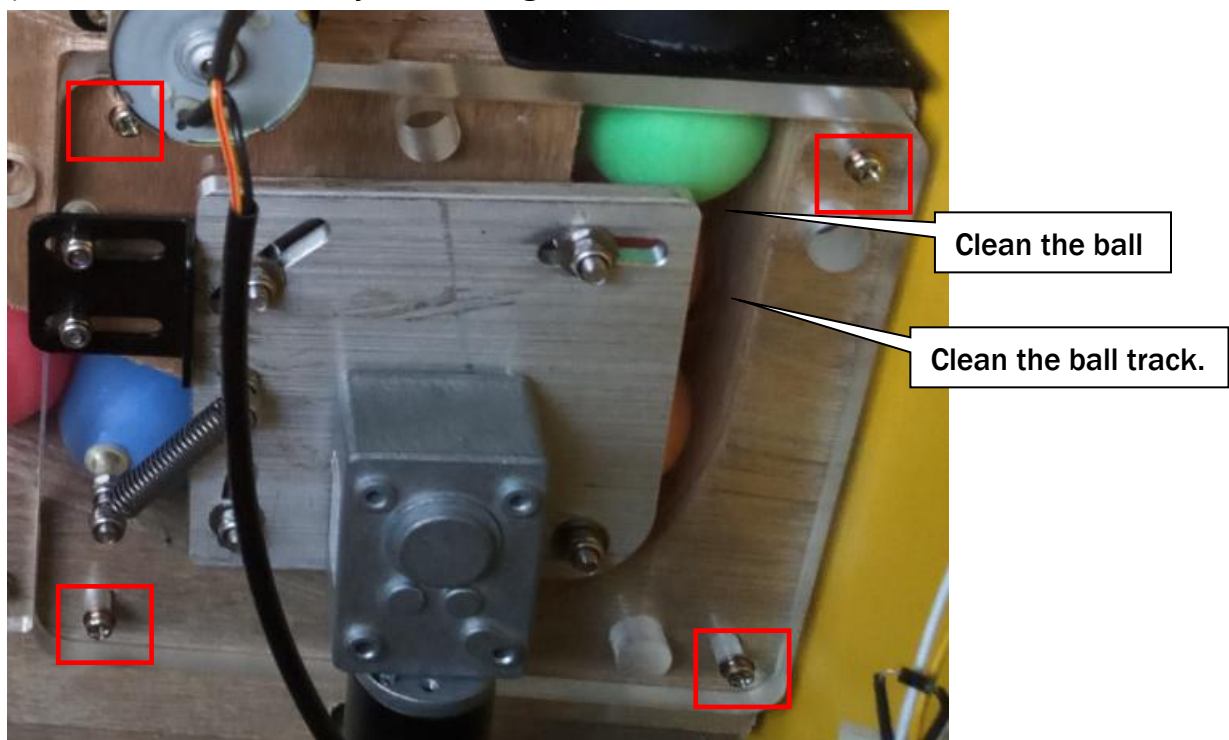
! NOTICE

We do not recommend using power tools as they may cause damage.

8.3 How to clean the send ball Assy.

No.	Name	Picture
1	Phillips screwdriver	

Step1 Open the back door of the cabinet and remove four screws as picture shown (Red area) to take out the assembly for cleaning.



Step2 After cleaning balls, open the front window to put balls back through the mouth of the small character.

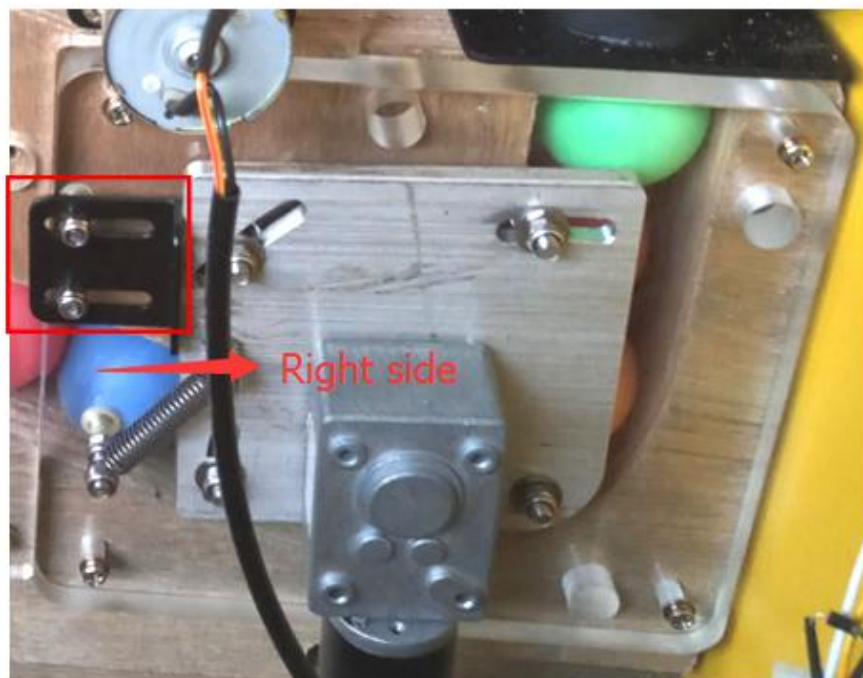


Put balls back through the mouth.

8.4 How to fix balls cannot be sent out problem

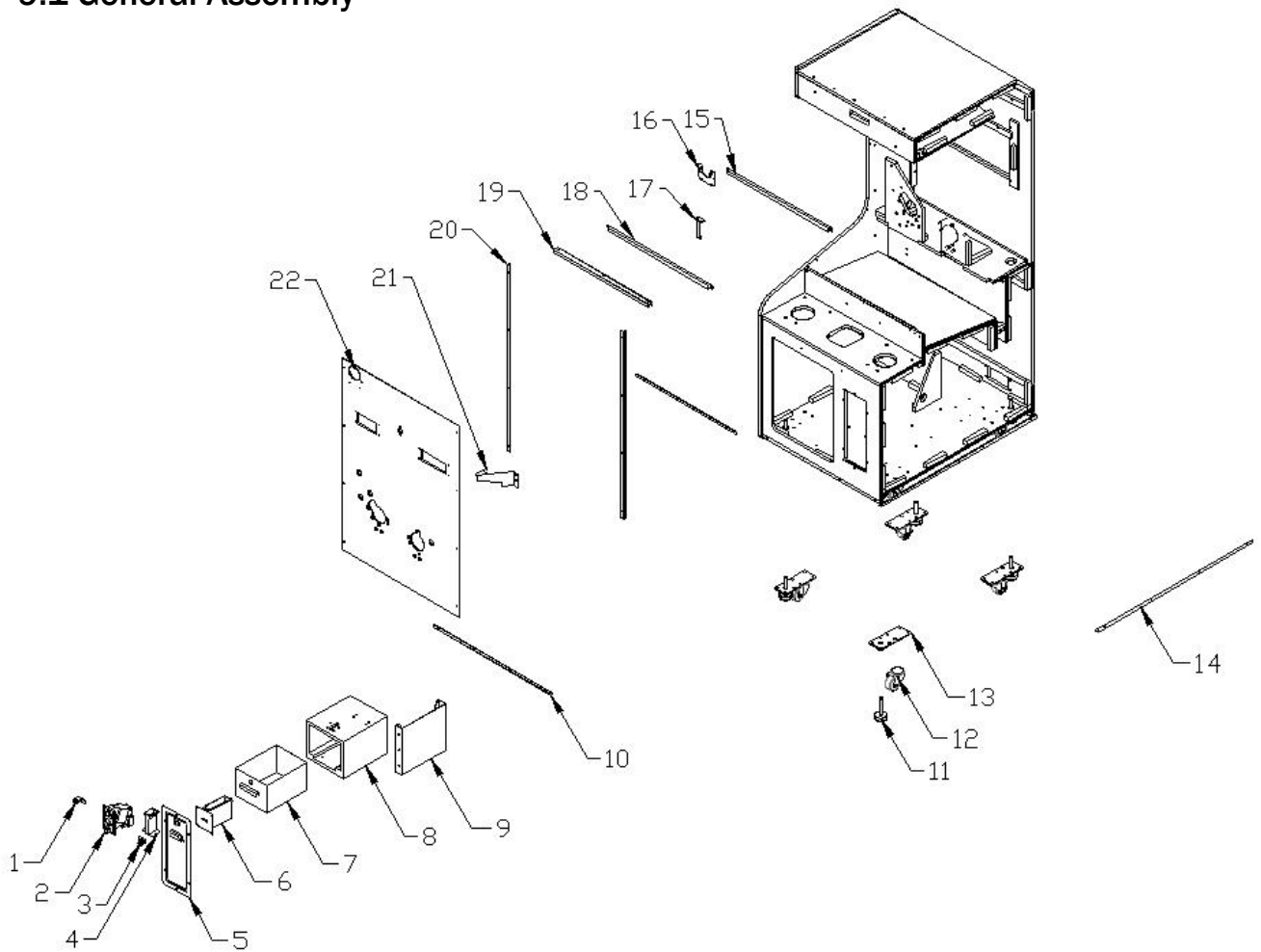
If the send ball Assy. is unable to send ball, that is because the send ball Assy. may gradually lose the friction after running a period of time. Please adjust the friction.

Loosen the screws and move the black metal plate to the right side to increase the friction, and adjust it until the send ball Assy. works well.



9. OVERALL CONSTRUCTION

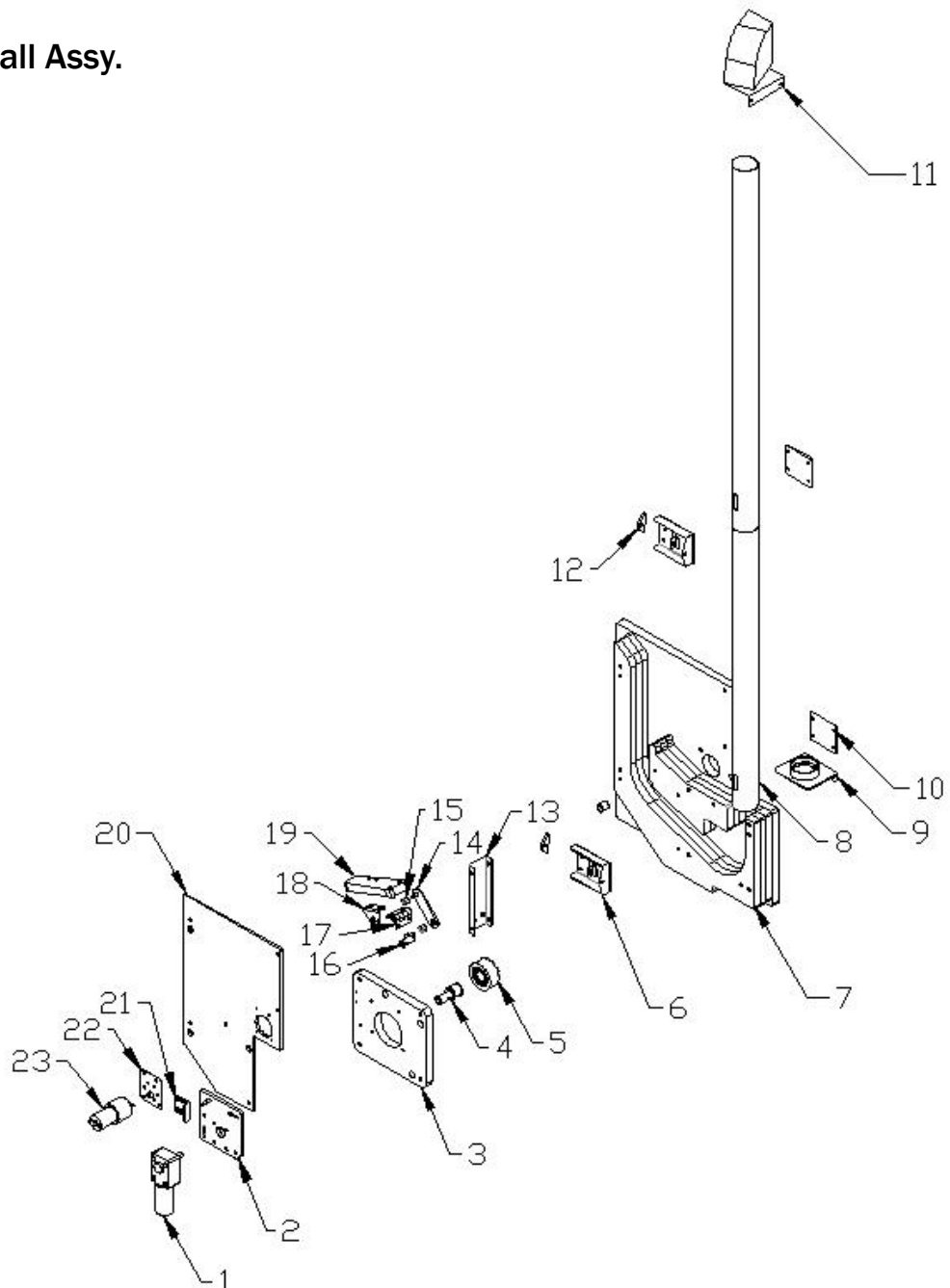
9.1 General Assembly



No.	Part No.	Code No.	Name	Qty
1	D140-427-000	25300171001	Lock	1
2	D140-411-000	22301000002	Coin mech.	1
3	D140-428-000	25300172001	Lock	1
4	D140-102-000	20211703D001	Coin slot	1
5	D140-170-000	26000018000	Ticket door	1
6	D140-420-000	23100000005	Ticket dispenser	1
7	D140-105-000	20211703003	Coin inner box	1
8	D140-503-000	20311703D005	Coin outer box	1
9	D140-166-000	26000006000	Ticket box	1
10	D140-103-000	20211703002	Front & back binding	2
11	D140-167-000	26000008000	2.5"leveller	4
12	D140-429-001	25501000047	2.5" caster	4

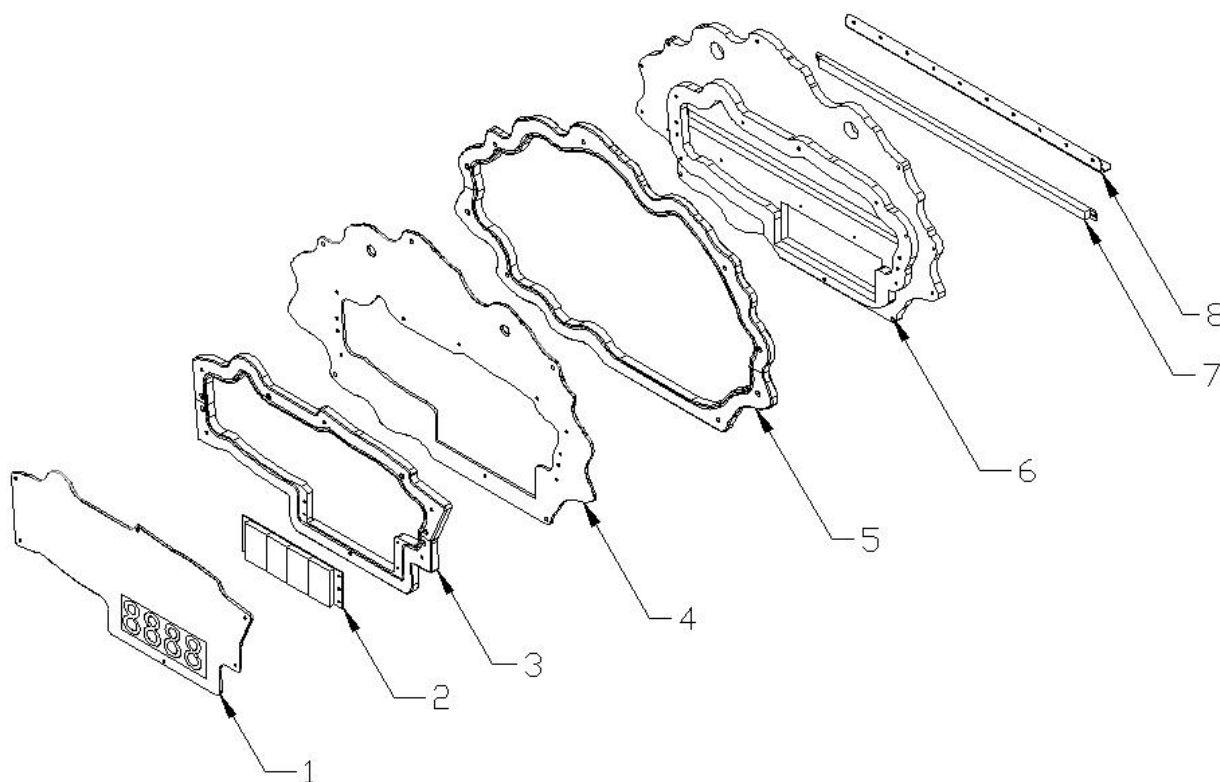
No.	Part No.	Code No.	Name	Qty
13	D140-168-000	26000010000	Caster bracket	4
14	D140-101-000	20211703001	Side binding	2
15	D140-408-001	22003080033	5630 light	2
16	D140-134-000	20211703050	Ball out fix plate	1
17	D140-136-000	20211703061	Ball track (down) plate	1
18	D140-407-001	22003080031	5630 light	1
19	D140-152-000	20211703032	Front baffle(up)	1
20	D140-106-000	20211703004	Main decal side mounting plate	2
21	D140-107-000	20211703005	Ball baffle	1
22	D140-703-000	20511703003	Main decal	1

9.2 Send ball Assy.



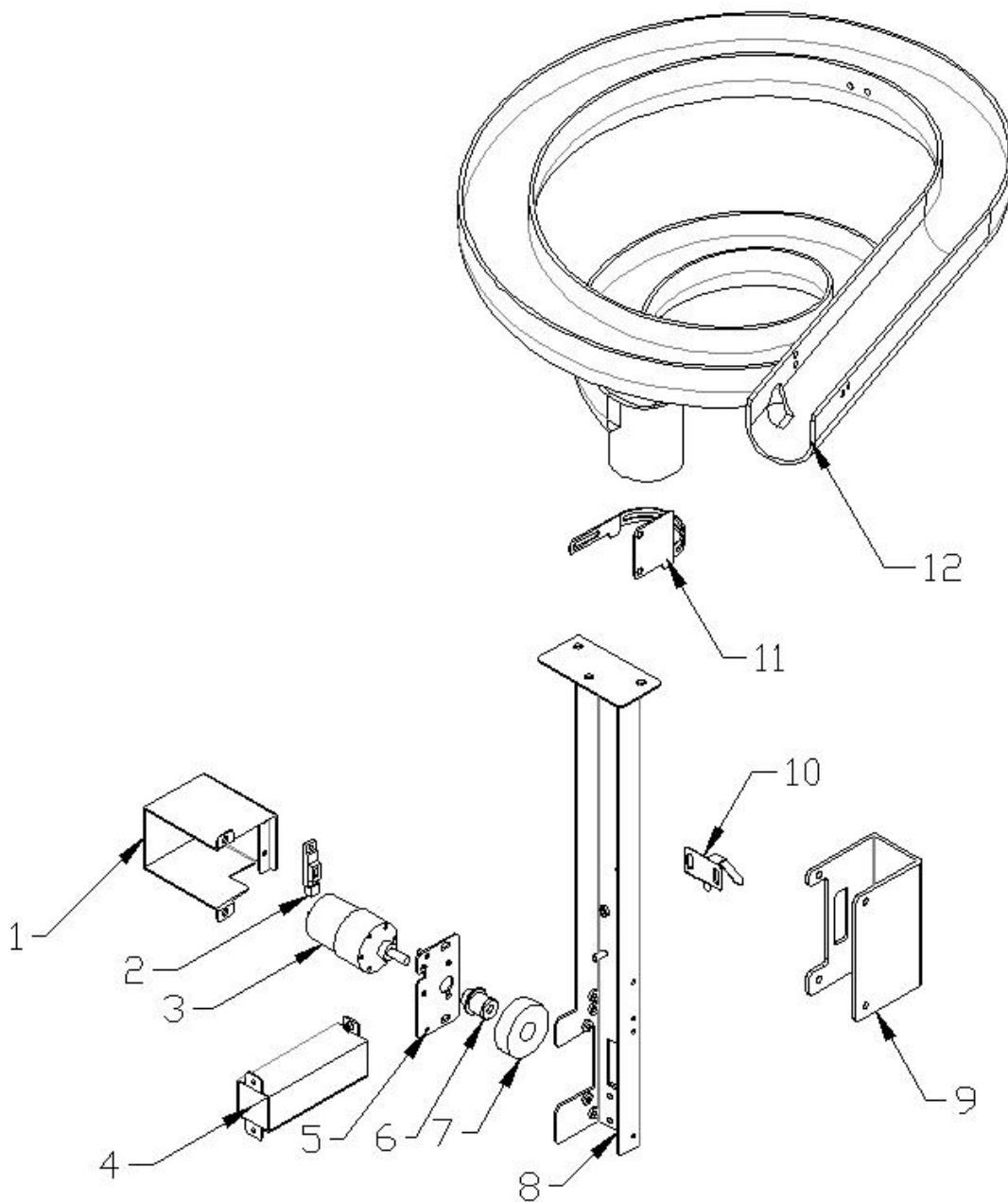
No.	Part No.	Code No.	Name	Qty
1	D140-425-000	23404010004	Motor	1
2	D140-109-000	20211703045	Send ball motor mounting plate	1
3	D140-602-000	20611703005	Send ball motor fix plate	1
4	D140-110-000	20211703046	Send ball spindle	1
5	D140-605-000	20611703031	Spin ball wheel	1
6	D140-123-000	20211703054	Ball pipe retaining plate	2
7	D140-502-000	29911703002	Send ball bracket	1
8	D140-120-000	20211703051	Send ball pipe(down)	1
	D140-121-000	20211703052	Send ball pipe(up)	1
9	D140-117-000	20211703012	Send ball pipe connector	1
10	D140-124-000	20211703014	Ball pipe fix plate	2
11	D140-122-000	20211703053	Send ball pipe(up)	1
12	D140-604-001	20611703006A	Retaining plastic	2
13	D140-113-000	20211703009	Hinge mounting plate	1
14	D140-115-000	20211703010	Connecting rod	1
15	D140-114-000	20211703056	Connecting rod sleeve	2
16	D140-112-000	20211703008	Shaft	1
17	D140-431-000	26300020034	Hinge	1
18	D140-116-000	20211703011	Vibration plate-connecting bracket	1
19	D140-501-000	20311703035	Vibration plate	1
20	D140-601-000	20611703004	Ball track cover	1
21	D140-118-000	20211703013	Send ball limited plate	1
22	D140-111-000	20211703007	Vibration motor mounting plate	1
23	D140-423-000	23404000232	Motor	1

9.3 Marquee Assy.



No.	Part No.	Code No.	Name	Qty
1	D140-702-000	20511703002	Marquee decal	1
2	D140-438-000	29790800008	Display	1
3	D140-625-000	20611703002	Front light plastic plate	1
4	D140-626-000	20611703D001	Small marquee decal plate	1
5	D140-627-000	20611703003	Small marquee plastic plate	1
6	D140-503-00	20311703034	Small marquee back plate	1
7	D140-407-001	22003080031	5630 light	1
8	D140-165-000	20211703055	Small marquee hinge	1

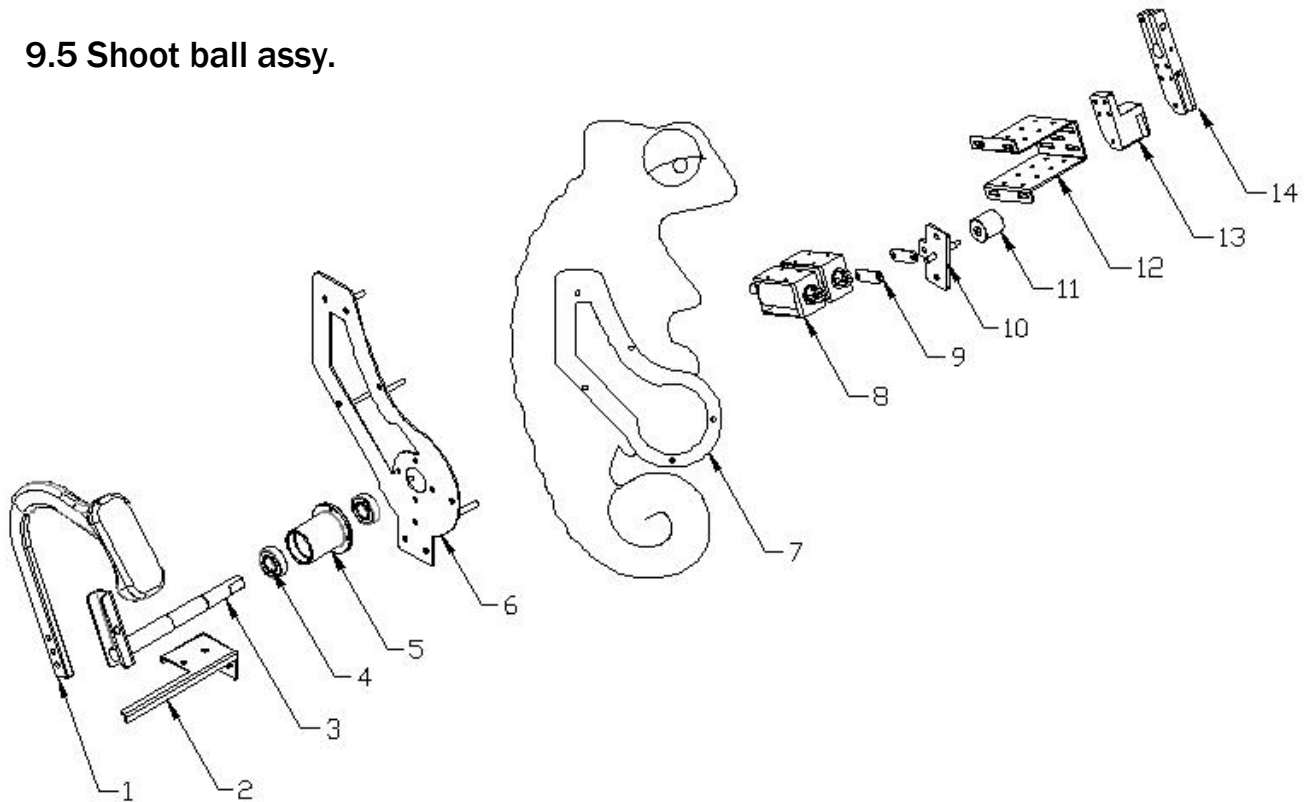
9.4 Ball drop assy.



No.	Part No.	Code No.	Name	Qty
1	D140-127-000	20211703017	Ball drop motor cover	1
2	D140-403-000	21501000026	Sensor	1
3	D140-424-000	23404000233	Motor	1
4	D140-129-000	20211703018	Cable square tube	1
5	D140-126-000	20211703016	Ball drop motor mounting plate	1
6	D140-128-001	20211703047A	Friction gear bracket	1
7	D140-607-000	20611703021	Friction gear	1

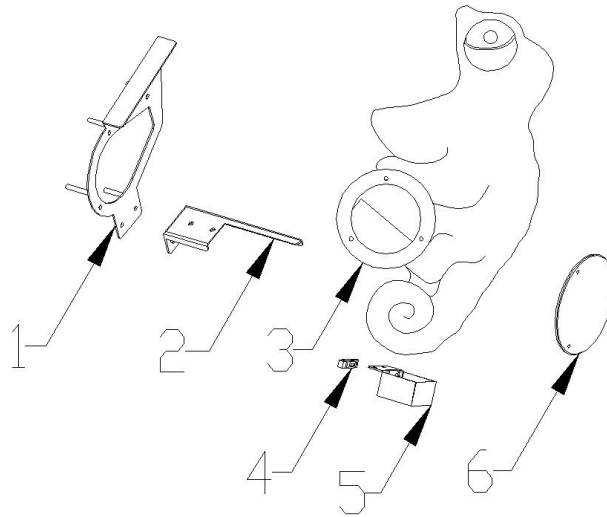
No.	Part No.	Code No.	Name	Qty
8	D140-125-000	20211703015	Send ball pipe(down) fix plate	1
9	D140-606-000	20611703007	Ball pipe(down) cover	1
10	D140-130-000	20211703048	Track pressing plate	1
11	D140-131-000	20211703049	Track fix plate	1
12	D140-608-000	20611703008	Ball track	1

9.5 Shoot ball assy.



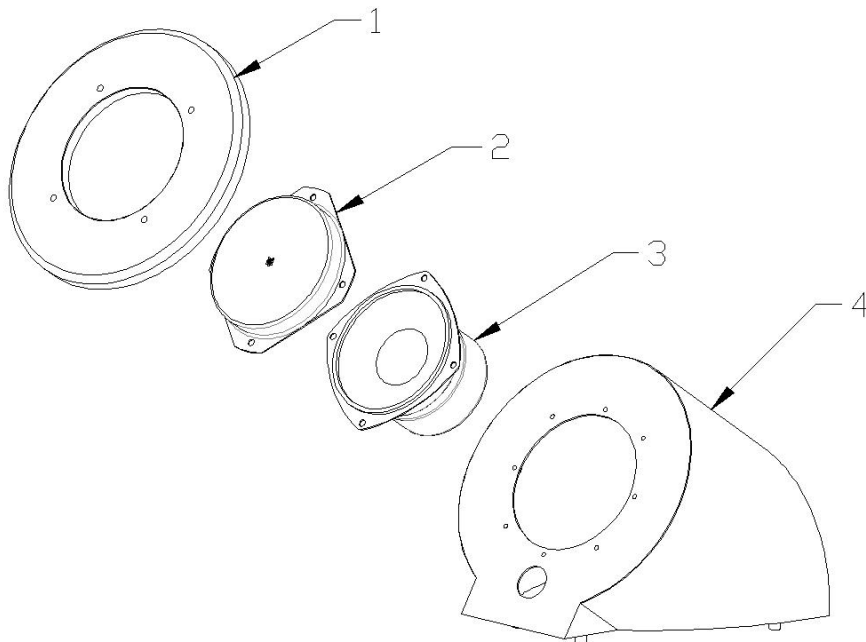
No.	Part No.	Code No.	Name	Qty
1	D140-611-001	20611703020A	Bat	1
2	D140-146-000	20611703017	model Support plate	1
3	D140-138-000	20211703023	Spindle	1
4	D140-308-000	20106000082	Deep groove ball BR	2
5	D140-137-000	20211703022	BR bracket	1
6	D140-140-000	20211703024	Bed plate	1
7	D140-612-000	20611703014	Large character	1
8	D140-426-000	23501000041	Magnetic valve	2
9	D140-144-000	20211703027	Magnetic valve rod	2
10	D140-143-000	20211703026	Limited plate	1
11	D140-613-001	20611703015A	Limited block	1
12	D140-142-000	20211703B007	Magnetic valve fix plate	1
13	D140-147-000	20211703062	Magnetic valve block	1
14	D140-141-000	20211703057	Magnetic valve pull rod	1

9.6 Ball in assy.



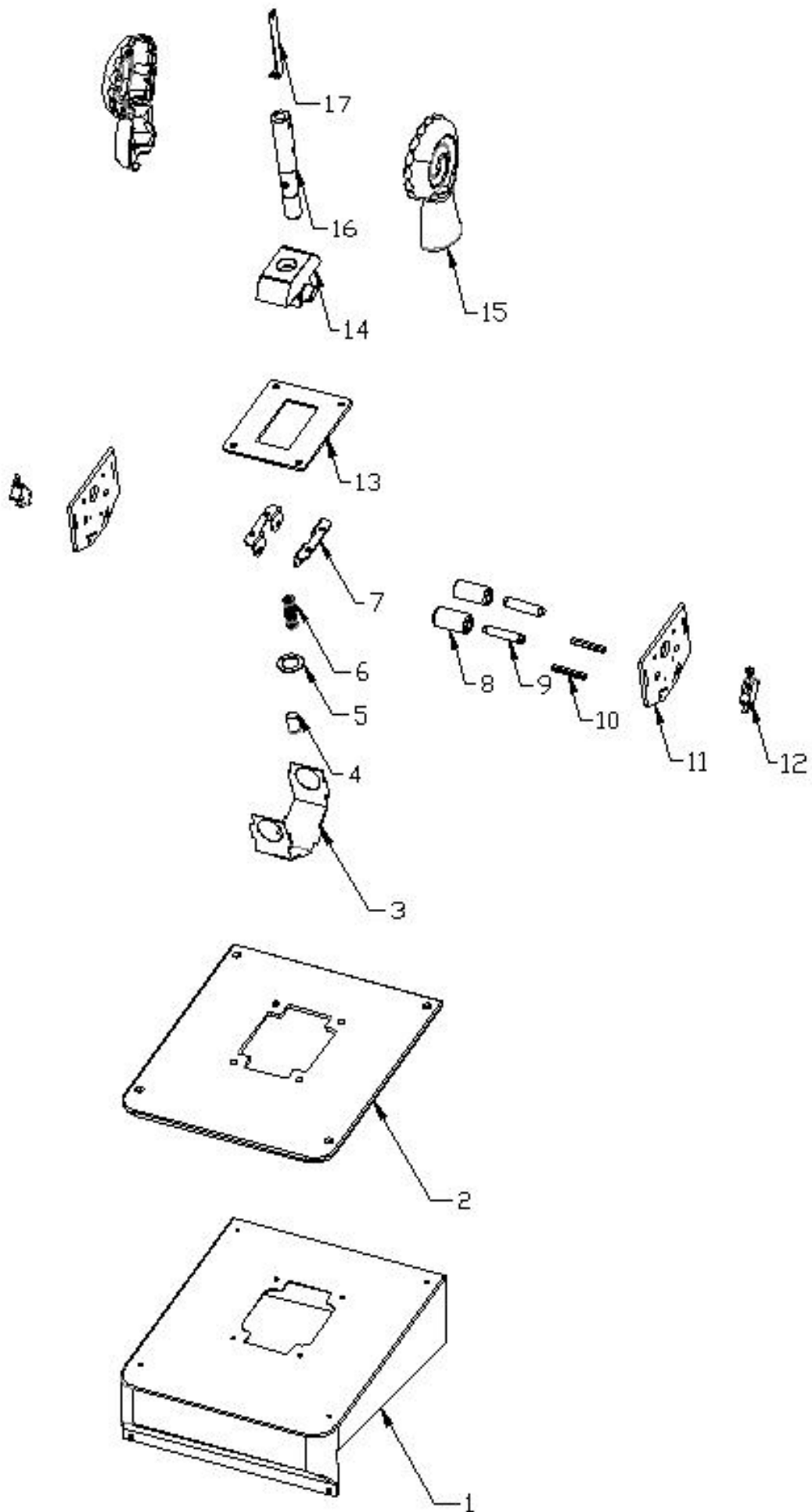
No.	Part No.	Code No.	Name	Qty
1	D140-133-000	20211703020	Small character bed plate	1
2	D140-132-000	20211703019	Support plate	1
3	D140-609-001	20611703012A	Small character	1
4	D140-403-000	21501000026	Sensor	1
5	D140-135-000	20211703021	Score sensor mounting plate	1
6	D140-704-000	20511703004	Cover	2

9.7 Speaker assy.



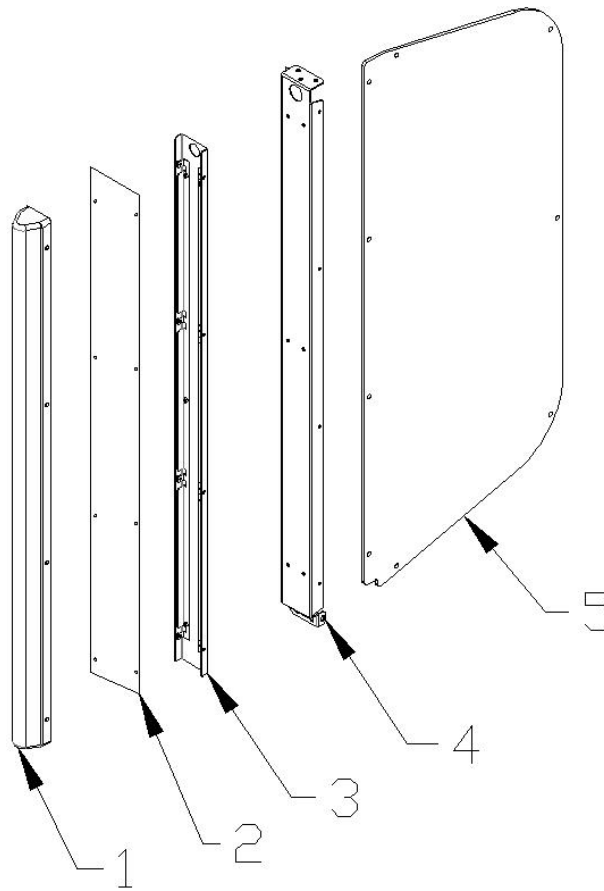
No.	Part No.	Code No.	Name	Qty
1	D140-620-000	20611703001	Speaker light plate	2
2	D140-175-000	26000027000	Speaker net	2
3	D140-418-000	22801000047	4"Speaker	1
4	D140-154-000	20211703034	Speaker box	2

9.8 Joystick assy.



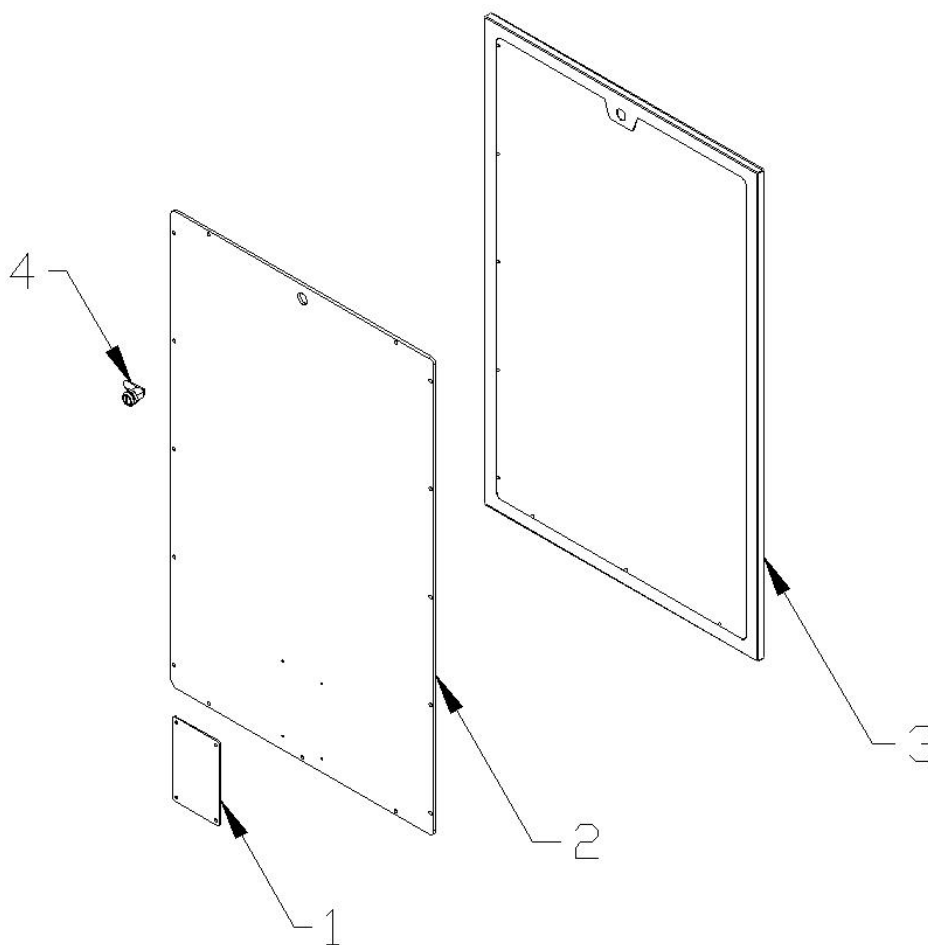
No.	Part No.	Code No.	Name	Qty
1	D140-108-000	20211703006	Control panel	1
2	D140-701-000	20511703001	Control panel decal	1
3	D140-158-000	20211703039	Guide plate	1
4	D140-162-000	20611703024	Pressing rod	1
5	D140-164-000	20211703043	Washer	1
6	D140-163-000	20211703060	Spring	1
7	D140-160-000	20211703041	Connecting plate	2
8	D140-622-000	20611703016	Limited plastic	2
9	D140-157-000	20211703038	Limited plastic fix shaft	2
10	D140-309-000	20108020009	Hexagon nut	2
11	D140-156-000	20211703037	Side plate	2
12	D140-417-000	22604000041	Micro SW	2
13	D140-155-000	20211703036	Top plate	1
14	D140-621-000	20611703019	Spindle	1
15	D140-623-001	20611703025A	Top cover	1
	D140-624-001	20611703026A	Down cover	1
16	D140-161-000	20211703042	Control rod	1
17	D140-159-000	20211703040	Light plate	1

9.9 Side light assy.



No.	Part No.	Code No.	Name	Qty
1	D140-616-000	20611703009	Side light cover	2
2	D140-617-000	20611703023	Side light cover pad	2
3	D140-148-000	20211703028	Side light cover bed plate	2
4	D140-149-000	20211703029	R side post	1
	D140-150-000	20211703030	L side post	1
5	D140-618-000	20611703010	Side plastic plate	2

9.10 Front door assy.

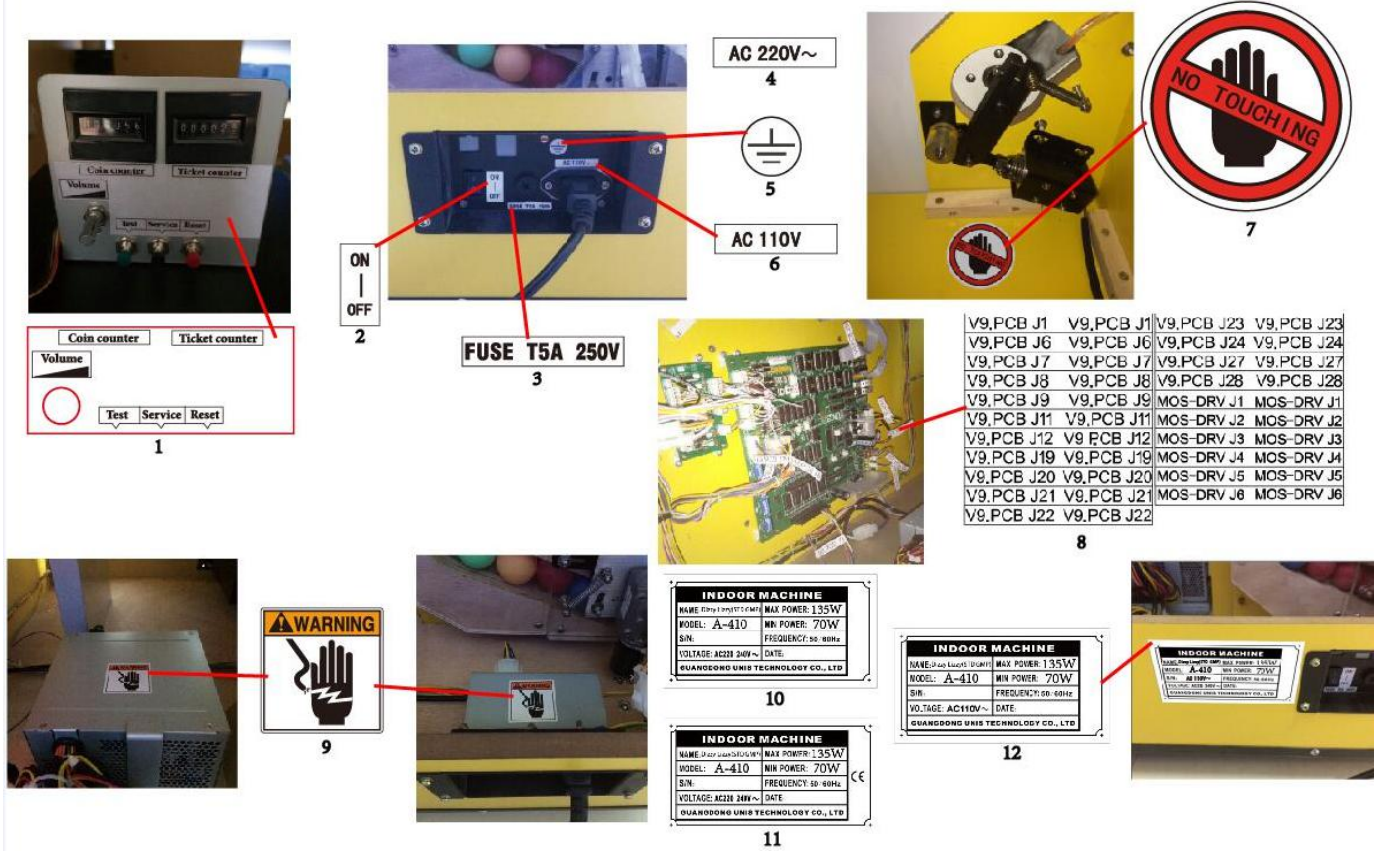


No.	Part No.	Code No.	Name	Qty
1	D140-716-000	20511703021	Ticket instruction decal	1
2	D140-619-000	20611703011	Front door plate	1
3	D140-151-000	20211703031	Front door frame	1
4	D140-427-000	25300171001	Lock	1

9.11 Decals

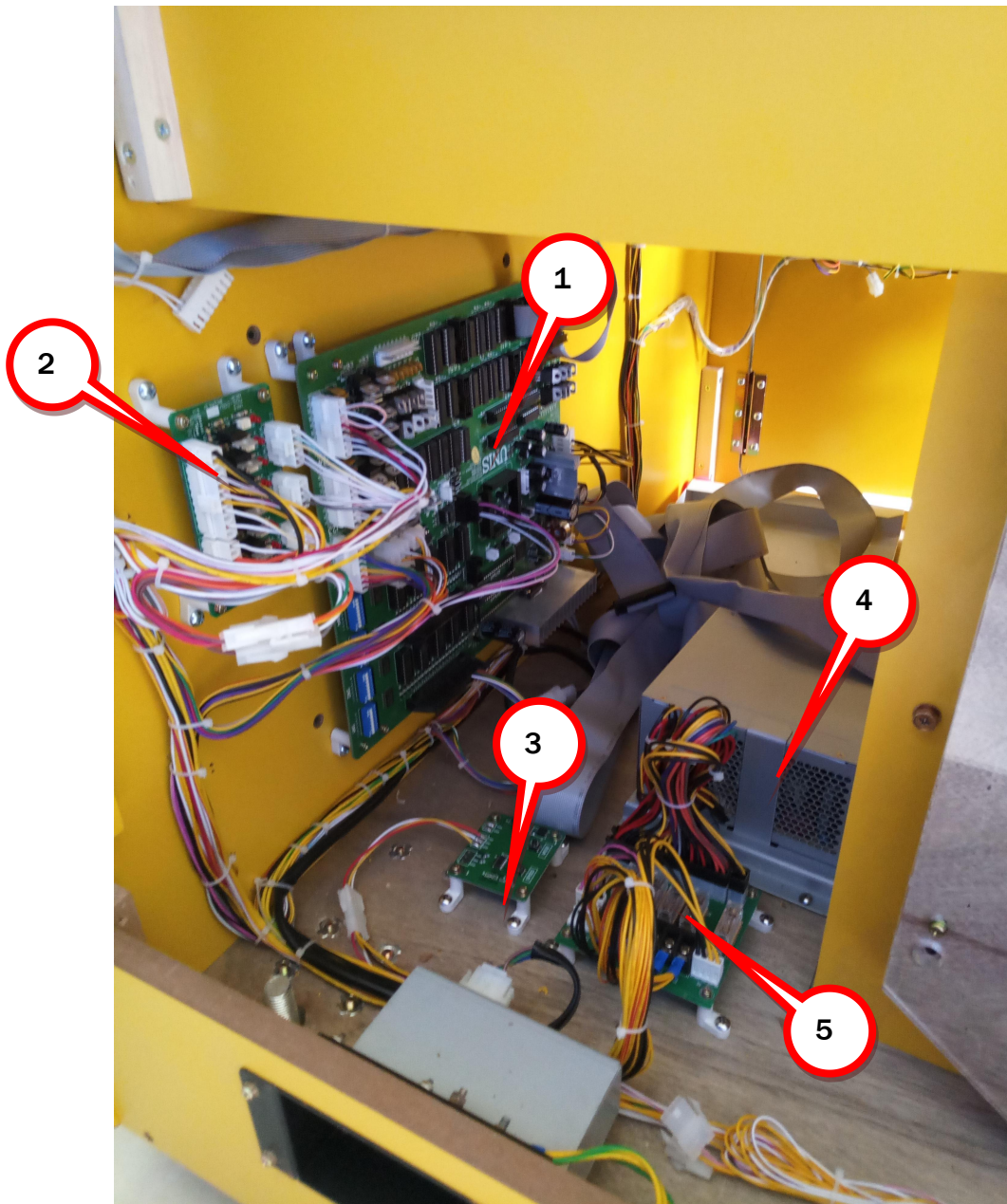


No.	Part No.	Code No.	Name	Qty
1	D140-702-000	20511703002	Marquee decal	1
2	D140-708-000	20511703D008	Top decal	1
3	D140-704-000	20511703004	Cover	2
4	D140-717-000	20511703E008	Ticket door decal	1
5	D140-701-000	20511703001	Control panel decal	1
6	D140-719-000	20511703E019	Send ball pipe(down) decal	1
7	D140-711-000	20511703D012	Speaker round decal	2
8	D140-718-000	20511703B018	Score label	1
9	D140-721-000	20511703E023	DBV cover decal	1
10	D140-710-000	20511703D011	Marquee mid decal	1
11	D140-720-000	20511703E020	Motor decal	1
12	D140-716-000	20511703021	Ticket instruction decal	1
13	D140-703-000	20511703003	Main decal	1
14	D140-709-000	20511703D010	Cabinet bed plate decal	1
15	D140-707-000	20511703D007	Speak decal	2
16	D140-706-000	20511703D006	R side decal	1
17	D140-705-000	20511703D005	L side decal	1
18	D140-730-000	25600000108	Ticket label	1

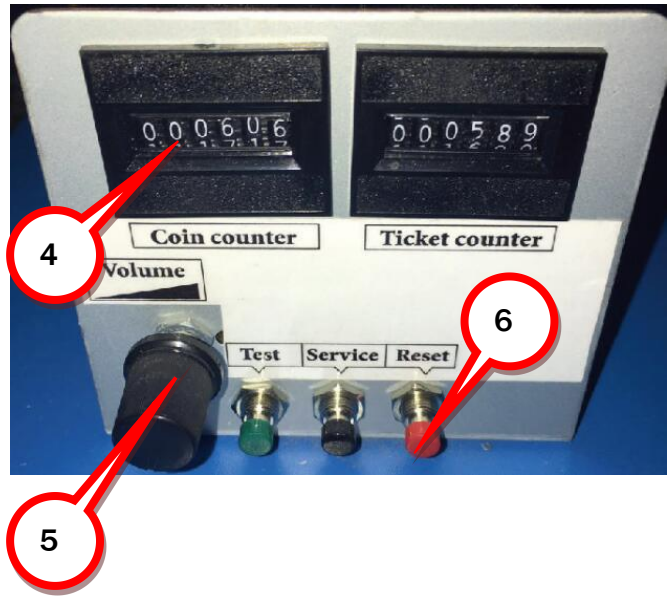
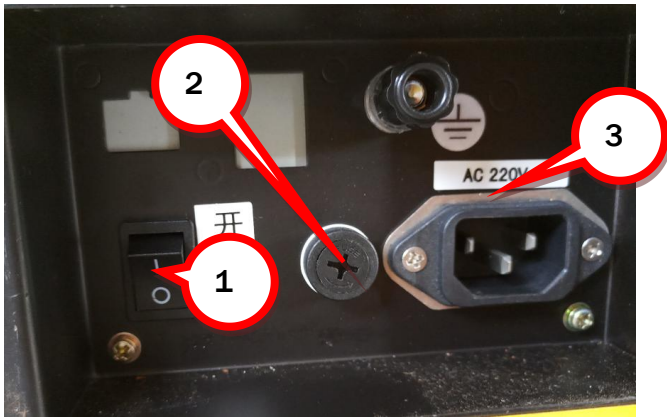


No.	Part No.	Code No.	Name	Qty
1	D140-722-000	25600000100	Meter label	1
2	D140-723-000	25600000016	Power SW	1
3	D140-728-000	25600000074	Fuse label	1
4	D140-727-000	25600000072	220V label	1
5	D140-729-000	25600000091	GND label	1
6	D140-726-000	25600000071	110V label	1
7	D140-724-000	25600000033	No touching label	1
8	D140-715-000	20511703017	Cable label	1
9	D140-725-000	25600000036	Voltage warning label	2
10	D140-712-000	20511703D013	220V nameplate	1
11	D140-713-000	20511703D014	CE 220V nameplate	1
12	D140-714-000	20511703D015	110V nameplate	1

9.12 Electrical components



No.	Part No.	Code No.	Name	Qty
1	D140-434-000	29790300001	V9 main board(V1.4)	1
2	D140-432-000	29711208002	Drive board (MOS-DRV(V1.0))	1
3	D140-401-000	20751704001	Light control board	1
4	D140-404-000	21602000001	Power box(BTX-3039)	1
5	D140-433-000	29711605001	Short circuit board (Fuseboard01(V1.0))	1



No.	Part No.	Code No.	Name	Qty
1	D140-416-000	22601000005	Rocket SW	1
2	D140-444-000	21901000004A	Fuse	3
	D140-405-000	21902000006	Fuse bracket	1
3	D140-421-000	23201000001	Filter	1
4	D140-419-000	23000000006	Meter	2
	D140-181-000	26000044000	Meter bracket	1
5	D140-415-000	22403000001	POT knob	1
6	D140-412-000	22402010002	Red button	1
	D140-413-000	22402030002	Green button	1
	D140-414-000	22402050001	Black button	1



No.	Part No.	Code No.	Name	QTY
1	D140-409-000	22005020005	Color light(MH-G80)	2
2	D140-406-001	22002016044	B5050 light strip	3
	D140-407-001	22003080031	5630 light	1
	D140-438-000	29790800008	Display(LED23B4)	1
3	D140-406-001	22002016044	B5050 light strip	1.7
4	D140-406-001	22002016044	B5050 light strip	1.8
5	D140-406-001	22002016044	B5050 light strip	5.5
6	D140-406-001	22002016044	B5050 light strip	1.1
7	D140-436-000	29790800006	Display(LED18B3)	1
8	D140-437-000	29790800007	Display(LED18B4)	1

