



IMPORTANT



Be Sure
to Read this
Manual
Before Use



www.universal-space.com

NOTE: Some portions of assembly may require additional assistance.

Operation Manual

WE ARE HERE TO ASSIST For parts and service



Have Questions? Contact us!

UNIS SERVICE CENTER

Tel: 972-241-4263

Email: service@unispartsandservice.com

When contacting Service, you will need the following information
and the name of your authorized distributor.

INDOOR MACHINE	
NAME: Derby Champion Club	MAX POWER: 1600W
MODEL: C-543	MIN POWER: 850W
S/N:	FREQUENCY: 50/60Hz
VOLTAGE: AC110V~	DATE:
Guangdong UNIS Technology Co.,Ltd.	

CONTENT

IMPORTANT SAFETY INSTRUCTIONS.....3

1. SPECIFICATIONS..... 5

2. CONTENTS OF THE ACCESSORY KIT..... 6

3. PART NAME..... 7

4. SET UP & INSTALLATION..... 8

5. HOW TO PLAY..... 18

6. GAME OPTION..... 19

8. MAINTENANCE & INSPECTION..... 25

9. OVERALL CONSTRUCTION..... 26

10. WIRING DIAGRAM..... 52

Thank you for purchasing **Derby Champion Club**. We hope you enjoy the product.

This manual contains valuable information about how to operate and maintain your game machine properly and safely. It is intended for the owner and/or personnel in charge of product operation. Carefully read and understand the instructions.

If you need any help during installation and setup please utilize this manual and troubleshooting guide. If the product fails to function properly, *non-technical personnel should under no circumstance attempt to service the machine*. Contact your distributor or manufacturer for help.

Before use, please read **IMPORTANT SAFETY INSTRUCTIONS**.

IMPORTANT SAFETY INSTRUCTIONS

To ensure the safe usage of this product, carefully read and understand these instructions before operating your game.

Save these instructions for future reference.

Use this product only as described in this manual. Other uses not recommended may cause fire, electric shock or personal injury. Unplug the game from the outlet when not in use, when moving from one location to another, and before cleaning/servicing.

Explanations which require special attention are indicated by signs of warning. Depending on the potential hazardous degree, the terms: **NOTE**, **NOTICE**, and **WARNING** are used.

NOTE: A NOTE indicates useful hints or information about product usage.

NOTICE: A NOTICE indicates potential damage to product and how to avoid the problem.

WARNING: A WARNING indicates a potential for product damage or serious personal injury.

It is important to understand the meaning of the following HAZARD SIGNS before continuing:

High Voltage and Shock Hazard:

High voltage can cause electric shock.
Turn off/unplug power before servicing.



High Temperature Hazard:

This part may cause scalding.
Do not touch. Surface may be hot.



No Touching Hazard:

This part may be hot or can cause electric shock.
Do not touch.



Use the following safety guidelines to help ensure your own personal safety and to help protect your equipment and surrounding environment from potential damage.

⚠️ This product is an indoor game machine. Do not install outdoors.

Avoid installing in the following places to prevent fire, electric shock, injury and/or machine malfunctioning:

- Places subject to rain/moisture, or places subject to high humidity.
- Places subject to direct sunlight, or places subject to extremely hot or cold temperatures to ensure that it is used within the specified operating range.
- Places where inflammable gas may be present or in the vicinity of highly inflammable/volatile chemicals or items that can easily catch fire.
- On unstable or sloped surfaces. The machine may topple or cause unforeseen accidents.
- Vicinity of fire exits, fire extinguishers etc that may block/prevent safety measures.

IMPORTANT NOTE:

ALL REPAIRS MUST BE DONE TO ORIGINAL MANUFACTURER SPECIFICATIONS. FAILURE TO DO SO VOID ALL WARRANTIES AND OPERATOR ASSUMES ALL RISKS.

Note: The contents of this manual may be updated without notice.

1. SPECIFICATIONS

Rated power supply: AC110V 50/60Hz; AC220V 50/60Hz

Min. Power consumption: 850W

Max. Power consumption: 1600W

Dimension: W114.81×D117.09×H117.13 in


W2916 ×D2974 ×H2975 mm

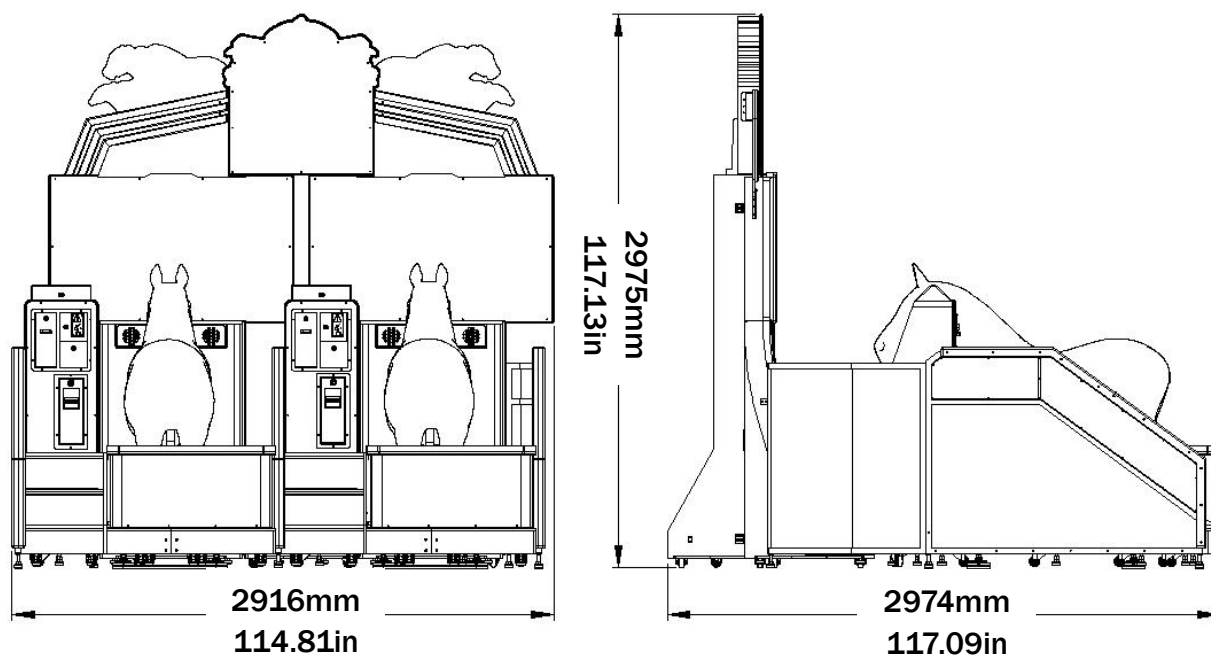
Weight: Approximately 2601.5 lb

Approximately 1165kg

Part No: D158

Model No: C-543

 **NOTICE:** After turning off the game, please wait at least 1 minute before restarting again.




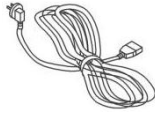



Note: Game specifications are subject to change without notice.

2. CONTENTS OF THE ACCESSORY KIT

Open the package and make sure all the items are included:

1. Following accessories

No.	Part No.	Code	Name	Picture	Qty
1	D158-801-000	21901000013	Fuse		2
2	D158-802-000	25300171002	171 key		2
3	D158-803-000	25300172002	171B key		2
4	D158-804-000	23301010020	Power cord		3
5	D158-805-000	20250841076	Wrench	/	1
6	D158-806-000	22604000039	Micro SW	/	2
7	D158-807-000	23302000003	Network cable		2

NOTE: Part models are subject to change without notice.

3. PART NAME

Key Components



NOTE: The installation of the DBV is to be completed by each individual location. (Not included)

4. SET UP & INSTALLATION

⚠ NOTICE

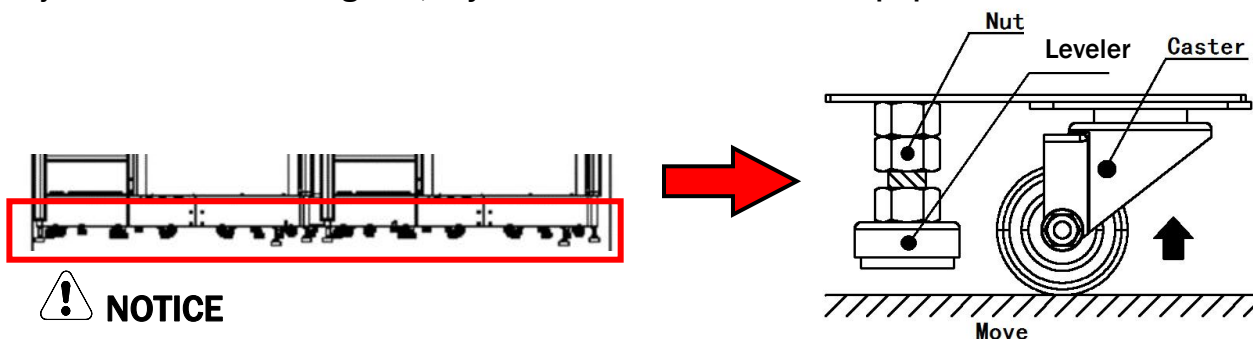
We do not recommend using power tools as they may cause damage.

⚠ **This product is an indoor game machine. Do not install outdoors.**

- Refer to IMPORTANT SAFETY INSTRUCTIONS (Pg. 3) for places to avoid.
- Place the unit on a dry level surface.
- Ventilation openings in the back of the unit must not be obstructed by objects or by wall.

4.1 Transporting the Game

If you need to move the game, adjust the levelers back to an “up” position.



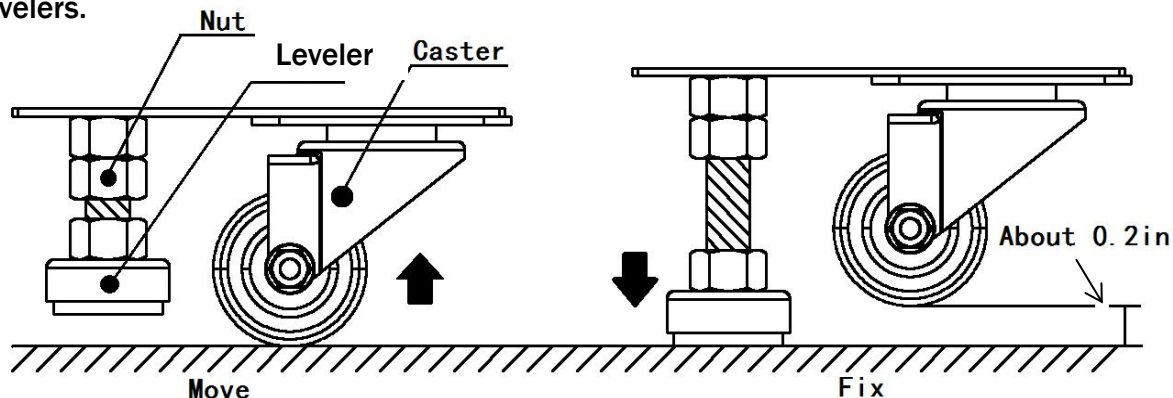
⚠ NOTICE

- Be careful not to damage the machine during transport.
- Always unplug the game before moving.
- Keep the machine in upright position during transport.
- For longer distance transport, package the game properly to prevent damages.

4.2 Level Adjustment

Install this game on a flat surface. If the game is installed on an unsuitable floor, it could cause game malfunction.

To secure the game, loosen the nut, utilize wrench to adjust the leveler down until it touches the floor, lifting the casters off the ground by 0.2 in. Repeat the same for all levelers.



⚠ NOTICE

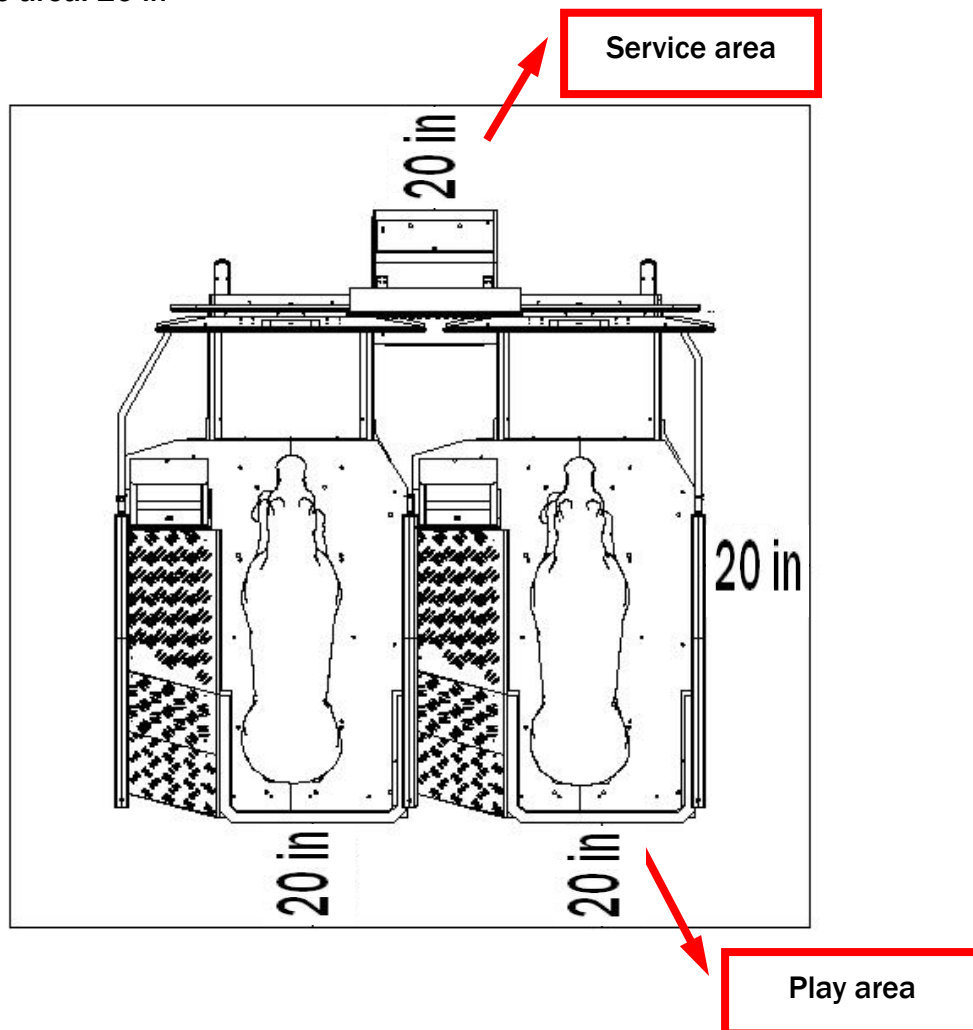
Make sure the machine is level.

4.3 Play Zone

This machine requires space for playing and for maintenance as shown below.

Leave space around the game upon installation:

Service area: 20 in






NOTICE

Your unit must be leveled to operate properly.

4.4 Machine Installation

Before processing with assembly assure you have the following tools.

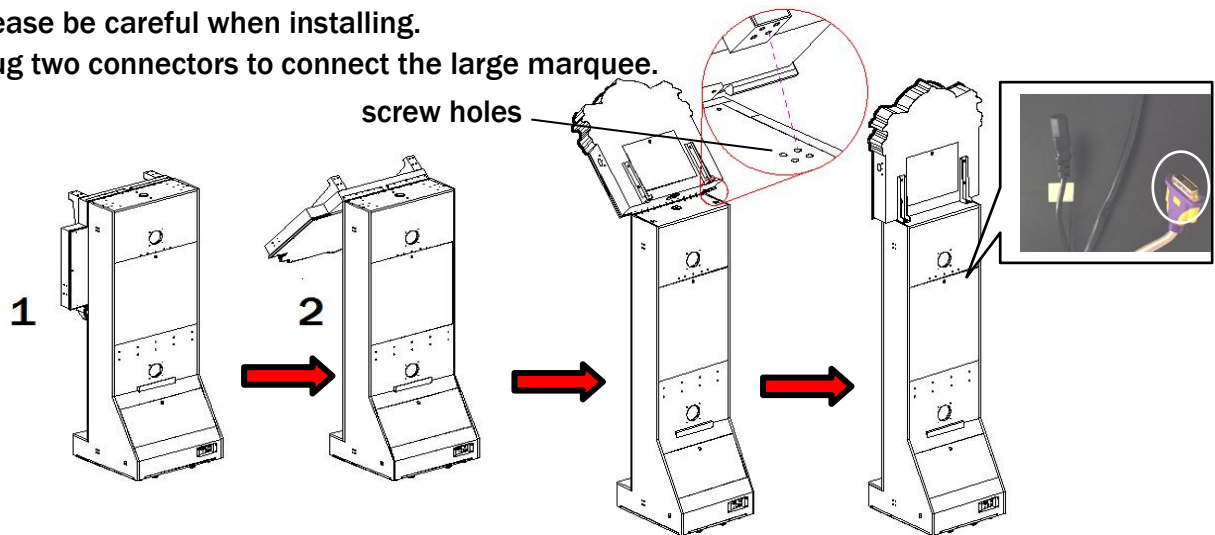
No.	Name	Picture
1	Phillips screwdriver	
2	Wrench	
3	Ladder	

NOTE: ALL NEEDED HARDWARE AND PARTS ARE MOUNTED ON THE COMPONENT. PLEASE REMOVE IT BEFORE INSTALLATION.

4.4.1 Marquee Installation

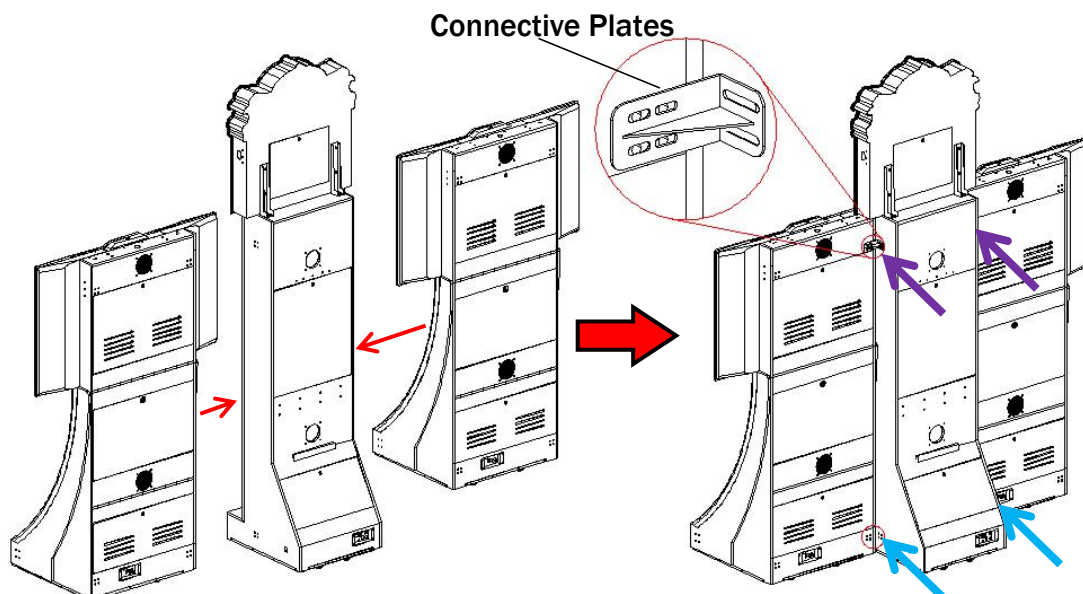
Erect the large marquee as shown below. Utilize Phillips screwdriver to fix it with screws. Please be careful when installing.

Plug two connectors to connect the large marquee.



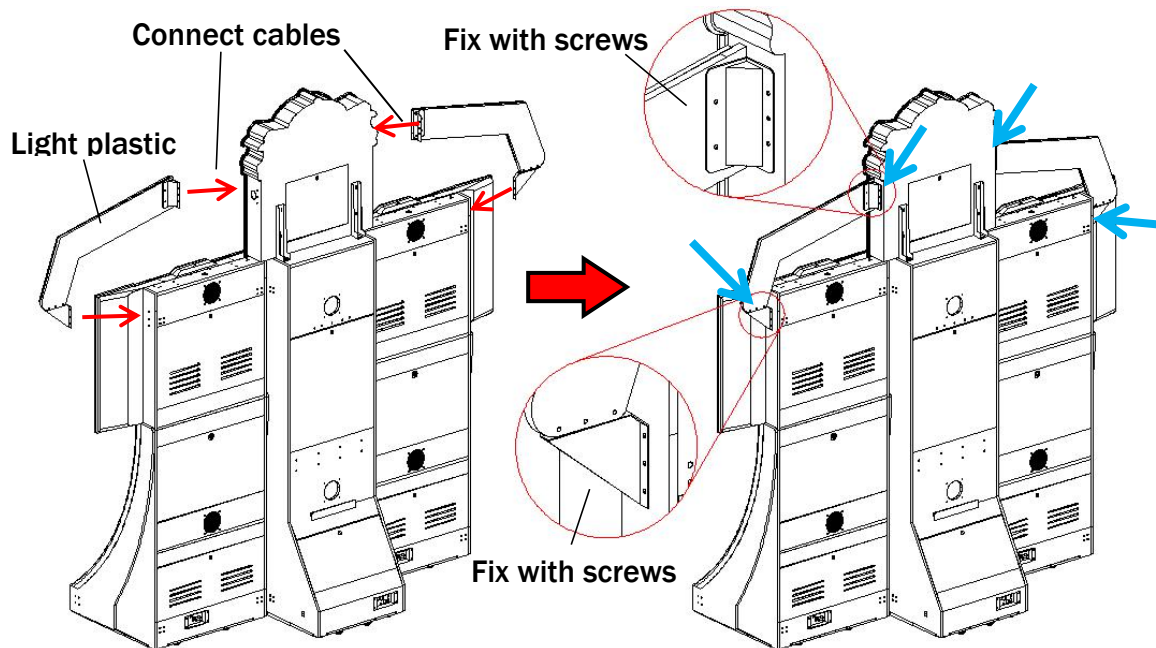
4.4.2 Middle Cabinet & Side Cabinets Installation

Put the Middle Cabinet and two Side Cabinets together as shown below. Utilize Phillips screwdriver to fix 4 connective plates with screws as shown below.



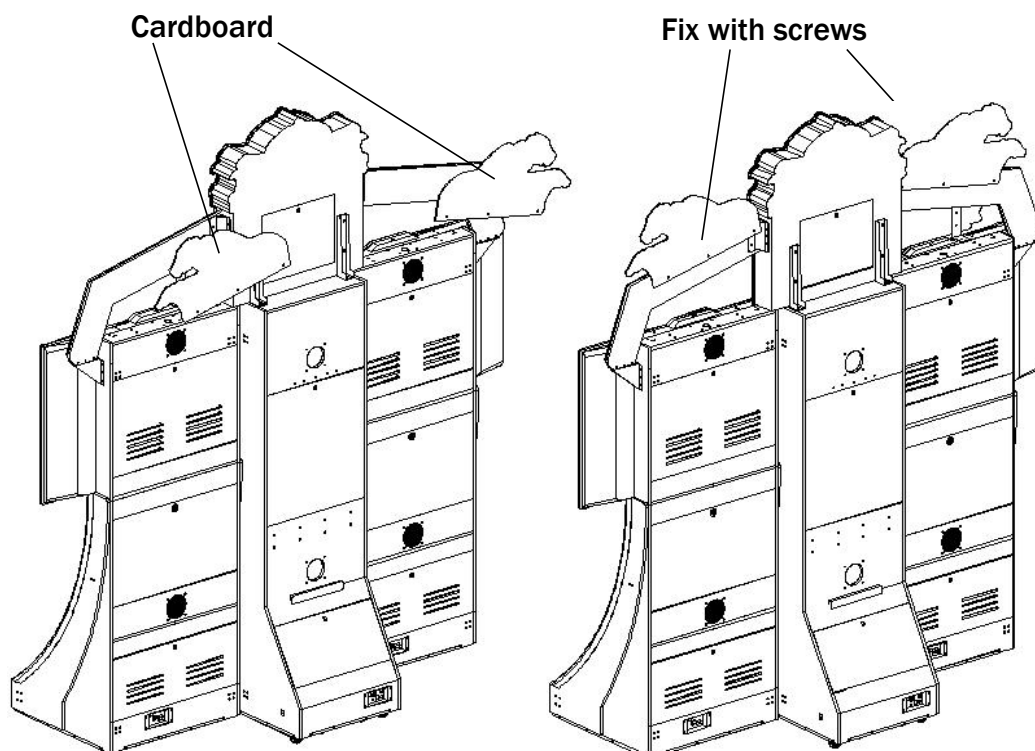
4.4.3 Side Light Plastic Installation

Connect the light plastic cables as shown below. Utilize Phillips screwdriver to fix two ends with screws as shown below.



4.4.4 Cardboard Installation

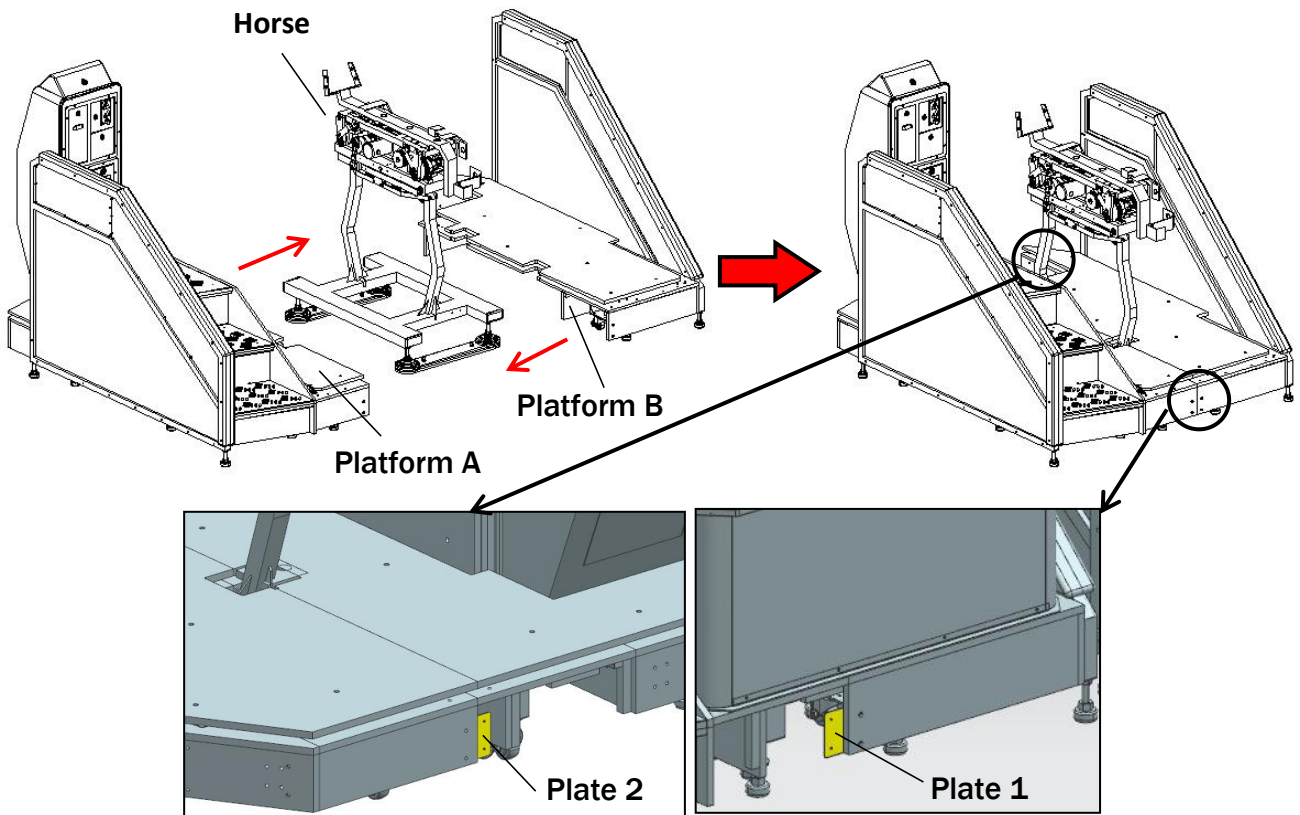
Utilize Phillips screwdriver to install the cardboard with screws at the back.



4.4.5 Platform Assembly Installation

Put Platform A and Platform B together as shown below. Utilize Phillips screwdriver to fix Plate 1 and Plate 2 with screws.

Note: Plate 1 and Plate 2 are installed inside the platform.

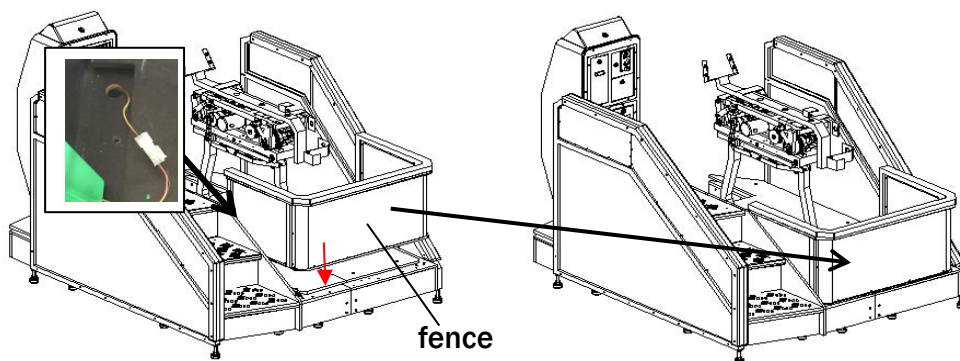


4.4.6 Fence Installation

Plug connectors on left bottom side of the fence.

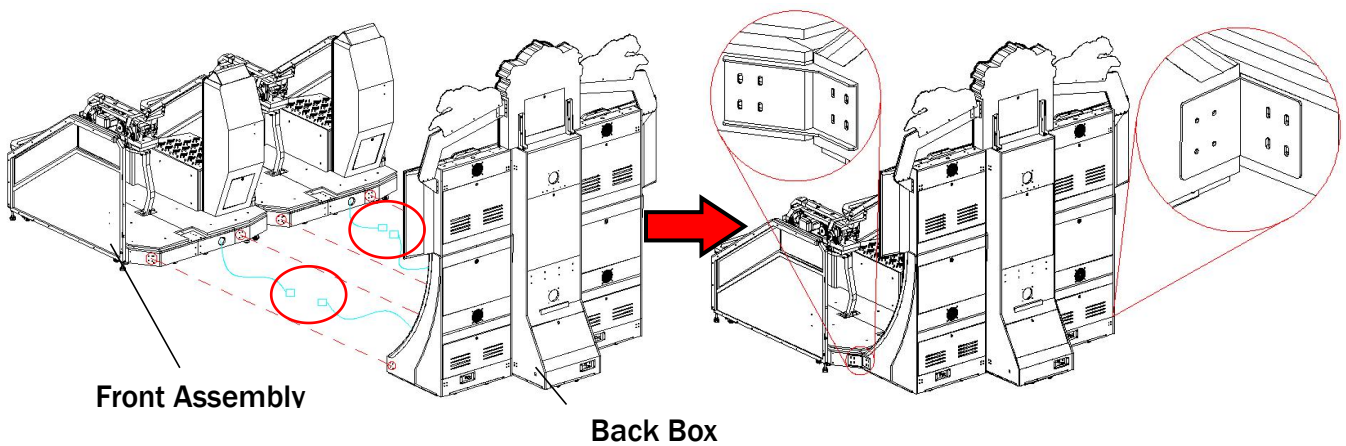
Utilize Phillips screwdriver to fix the fence to the Base Assembly with screws. (The screw holes are in the inner side of the fence at the bottom.)

The installation method of both sides is the same.



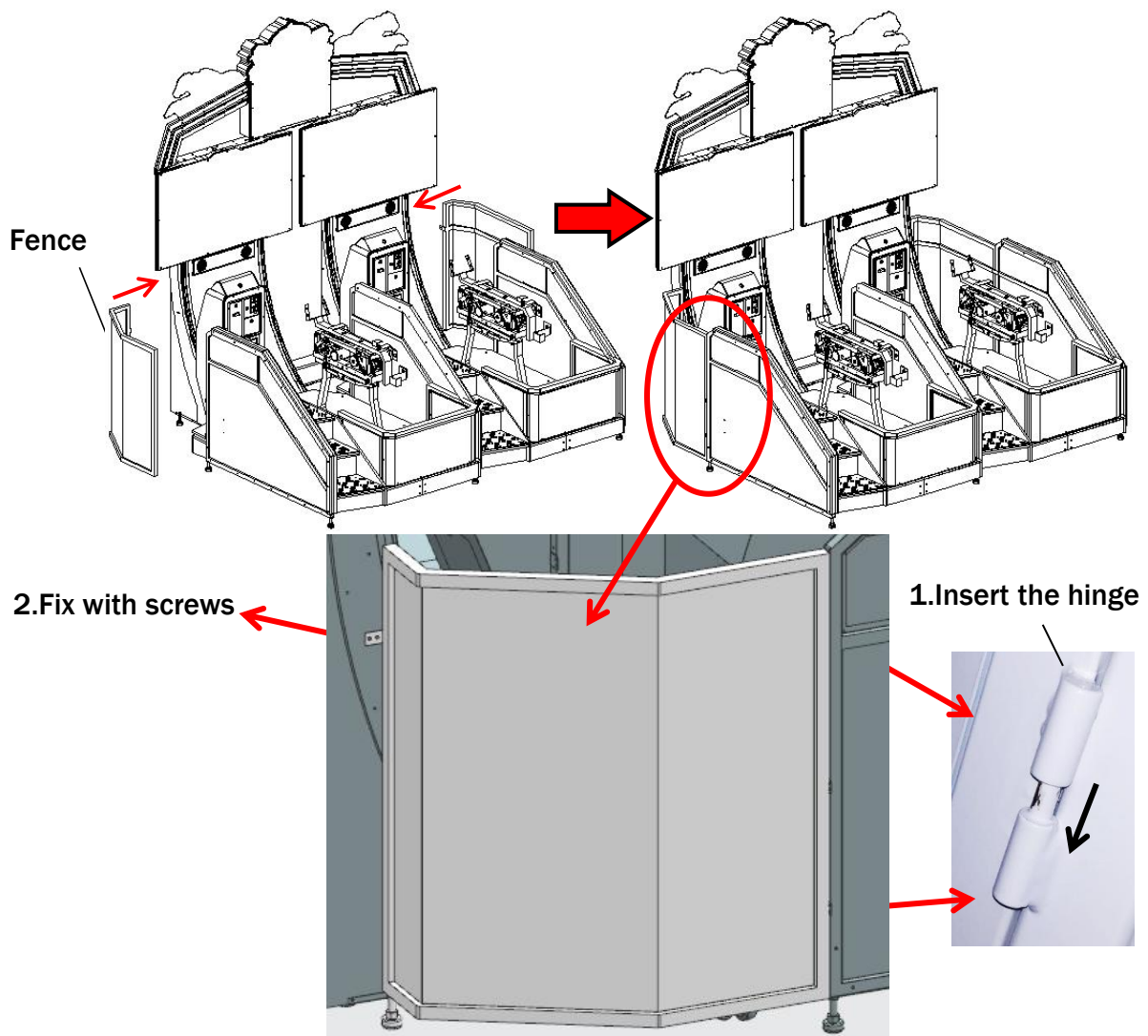
4.4.7 Back Box and Front Assembly Installation

Connect cables between the Back Box and the Front Assembly as shown below. Place the connectors inside the Back Box. Put the Back Box and Front Assembly together. Utilize Phillips screwdriver to fix them with the 4 connective plate by screws.



4.4.8 Fence Installation

Place the fence to the cabinet. Insert the hinge of the fence to the cabinet first. Utilize Phillips screwdriver to fix the other side with screws to the cabinet. The installation method of both sides is the same.



4.5 Linking setting

Kit list:

No.	Part No.	Code No.	Name	Qty
1	D158-448-000	23302000014	Network cable	2

Step 1 Locate the power box at the back of the machine on each side. Plug in the Network cable to the power box. Route the cable to the middle back box through the hole.



Step 2 Connect the Network cable to the router either 1 to 4 ports.



Step 3 Linking setting. Enter the setting menu. In “Networking Setting” menu, set the “Player Mode” to “Link mode”. (Default setting is “Link mode”.)

Refer to 6. GAME OPTION for details.

Player Mode	Single mode Link mode
MultiPlayWaitingTime	5-30
Back&Save	
Back	

4.6 Card Reader Installation Safety Notice



Take precaution when installing the card reader. Assure that all wiring voltages are confirmed prior to installation of card reader. All warranties are void if not properly installed resulting in logic board damage.

4.7 110 Voltage Convert to 220 Voltage

Kit list:

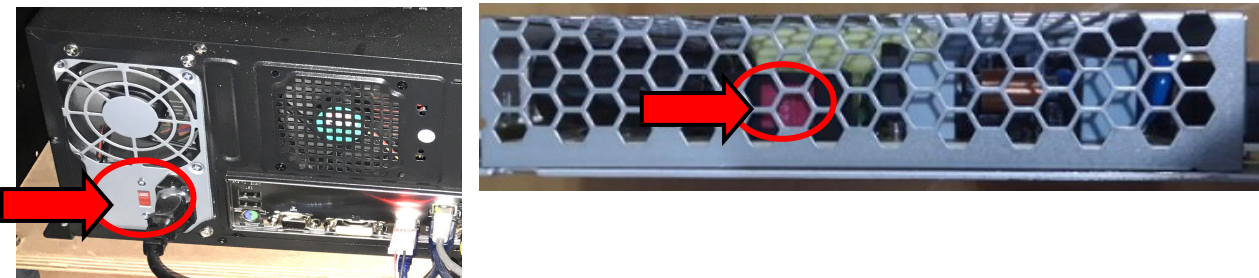
No.	Part No.	Code No.	Name	Qty
1	D158-466-000	2160500004	Transducer	2
2	D158-467-000	20841804003	Brake resistance	2

Step 1 Power off the machine.

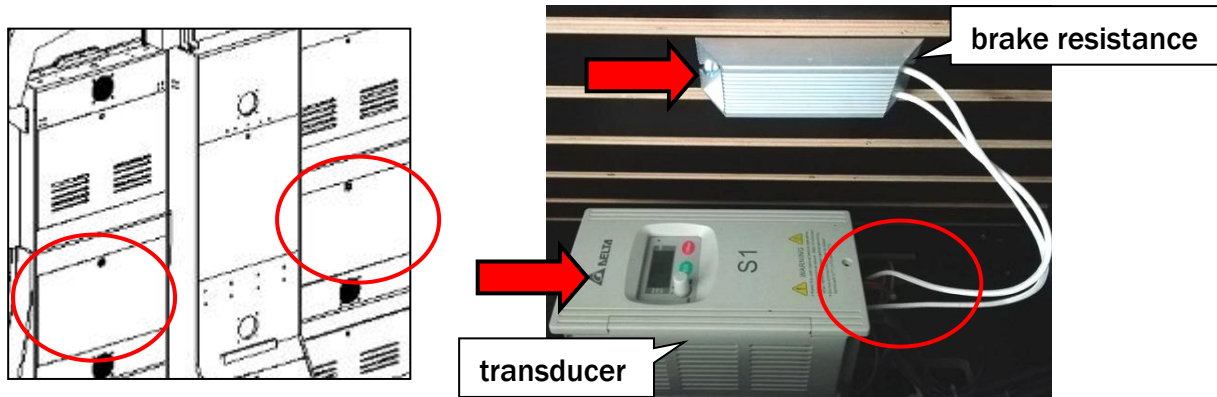
Step 2 Open the back doors. Locate 3 computers and 3 power supplies.



Step 3 Toggle the SW into **230** on all 3 computers. Utilize a tool to toggle the SW to **230** which is inside the power supply on the side. Same operation for all 3 power supplies.



Step 4 Open the back box middle doors. Utilize screwdriver to remove the transducer. Unplug all pins from the transducer (D158-456-000) and take it out. Utilize screwdriver to remove 2 screws and take the brake resistance (D158-423-000) out.



Step 5 Install the 220V transducer (D158-466-000) to the original position. Connect pins as shown below.



Cable A: Brown, Blue, Yellow/Green

L1	L2	PE
Brown	Blue	Yellow/Green

Cable B: Black, Brown, Blue, Yellow/Green

V	U	W	PE
Black	Brown	Blue	Yellow/Green

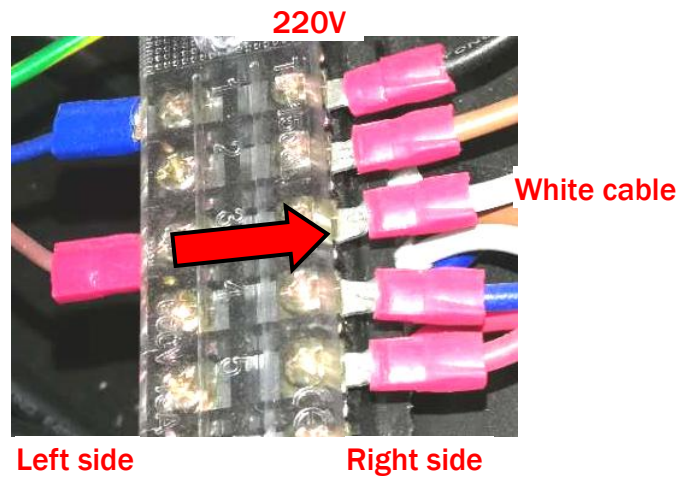
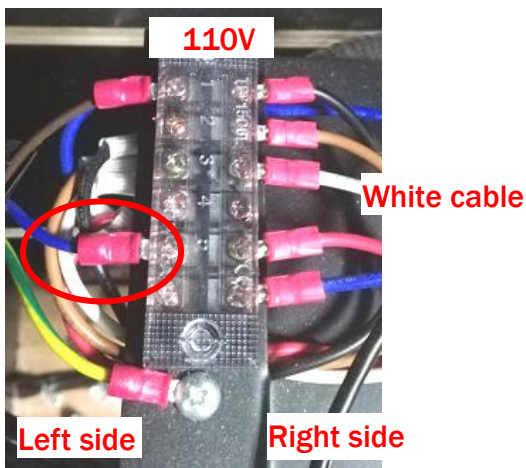
Cable C: Black, Brown, Yellow, Orange, Red

COM	FWO	X3	X2	X1
Black	Brown	Yellow	Orange	Red

Step 6 Connect the new brake resistance (D158-467-000) cable to the 220V transducer. Install the new brake resistance to the original place.



Step 7 Locate the line bank on top of the transformer next to the transducer. Unplug either the Blue cable or the Brown cable on the left side indicated by circle. Reconnect that pin to the position which is align with the white cable on the right side.



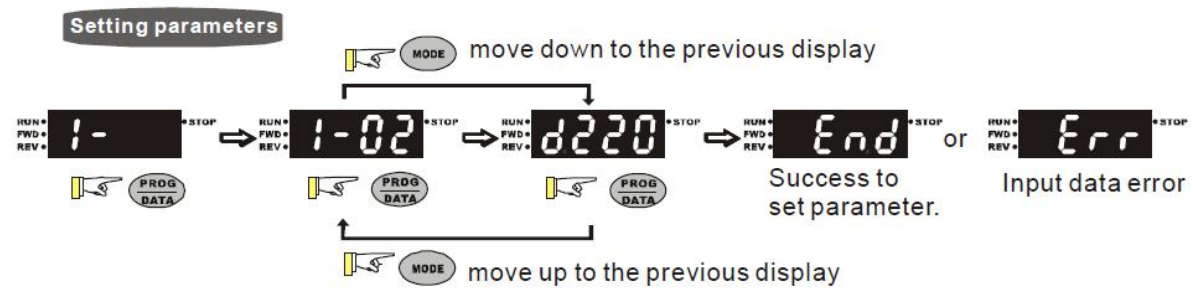
Step 8 Replace the 110V DBV with 220V DBV.

4.8 Transducer Parameter Setting

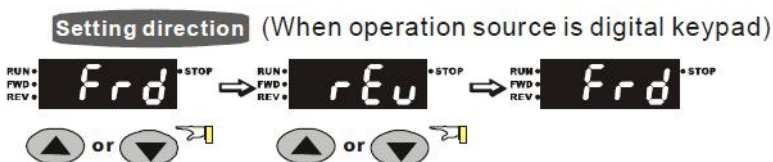
4.8.1 For 110V Transducer (D158-456-000) :



Note : In the selection mode, press to set the parameters.



NOTE : In the parameter setting mode, you can press to return the selecting mode.



Parameter setting:

Parameter	Settings
0-03	d1
1-09	d0.5
1-10	d0.5
1-15	d1
2-00	d1
2-01	d1
4-04	d1
5-00	50

Parameter	Settings
5-01	56
5-02	62
5-03	68
5-04	74
5-05	80
5-06	86

4.8.2 For 220V Transducer (D158-466-000) :

Press “MENU” button to enter parameter Settings. Press “ESC” to exit. Press “ENTER” to confirm. Press “SHIFT” to change item.

Parameter setting:

Parameter	Settings
F0.02	2
F0.08	0.5
F0.09	05
F0.10	100
F1.05	2
F2.30	50
F2.31	56
F2.32	62

Parameter	Settings
F2.33	68
F2.34	74
F2.35	80
F2.36	86
F5.00	01
F5.01	02
F5.02	03
F8.01	220

Parameter	Settings
F8.04	1420
F8.06	0.2

5. HOW TO PLAY

5.1 Select single player/multiplayer mode.



5.2 Select a track.



5.3 Pull left and right ropes at the same time/ Kick the horse's belly to accelerate.



5.4 Press button to jump.

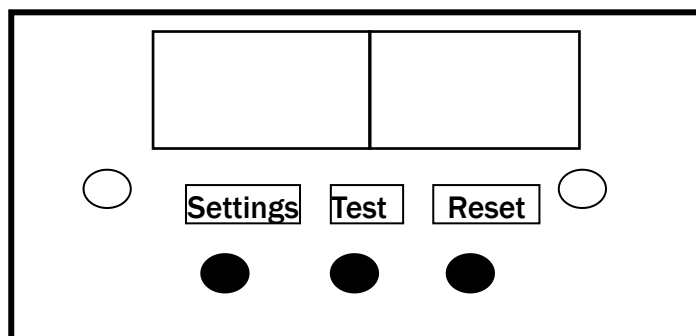


5.5 Pull left rope to turn left; pull right rope to turn right.



6. GAME OPTION

6.1 Adjustment Button Instruction



Open the coin door and there is a meter panel. Press Settings button to enter the setting menu.

6.2 Setting Menu

6.2.1 Main Menu

Basic Setting
Customized Setting
Networking Setting
Game Setting
Input Test
Output Test
Game Reset
Date/Time Setting
Language/语言
Bookkeeping
Daily Record
About This Game
Back to Game

6.2.2 Basic Setting

Free Play	ON/OFF
Auto Continue ON/OFF	ON/OFF
Auto Continue Waiting Time	5s-30s
Tickets Out	ON/OFF
Demo Music	ON/OFF
Memory Save	ON/OFF
Volume	1-10
Coins Per Game	1-100
Out of Tickets	Store in memory/ Call Attendant
Back&Save	
Back	

6.2.3 Customized Setting

Fixed Ticket	0-50
Divided by 2	OFF/ON
Horse color	White/Brow
First Tickets	0-200
Second Tickets	0-200
Third Tickets	0-200
Mercy Tickets	0-200
Back&Save	
Back	

6.2.4 Networking Setting

Player Mode	Single mode/Link mode
MultiPlayWaitingTime	5-30
Back&Save	
Back	

6.2.5 Game Setting

DefaultGameMode	SinglePlay/ MultiPlay
Time Of ModeSelection	5-30
Time Of StageSelection	5-30
Time Of Taking Photo	5-30
Computer select	OFF/ON
Game Time	90-150
Horse Number	6-10
Number Of Imaginary Enemy	1-6
Game Level	Easy/Normal/ Hard
Auto Jump	OFF/ON
Slowdown When AutoJump	OFF/ON
Clear Records	YES/NO
Back&Save	
Back	

6.2.6 Input Test

Coin1	OFF_ON
Pull The Rope To The Left	OFF_ON
Pull The Rope To The Right	OFF_ON
Stop Button	OFF_ON
OK Button	OFF_ON
SpeedUp Button	OFF_ON
AutoPlay Button	OFF_ON
Seat Sensor	OFF_ON
RunMotorSensor	OFF_ON
RunMotorSensorMalfunction	OFF_ON
JumpMotorSensor	OFF_ON
JumpMotorSensorMalfunction	OFF_ON
Floor Sensor1	OFF_ON
Floor Sensor2	OFF_ON
LightSynchronization	OFF_ON
Back	OFF_ON

6.2.7 Output Test

TicketDriver1
OKButtonLight
HorseJump
MotorDrive
Back

6.2.8 Game Reset

Factory Restore	YES/NO
Reset Basic Setting	YES/NO
Reset Customized Setting	YES/NO
Clear All Records	YES/NO
Clear Owed Ticket	YES/NO
Clear Unused Coin	YES/NO
Back	

6.2.9 Date/Time Setting

Year	2010-2100
Month	1-12
Day	1-31
Hour(24)	0-23
Minute	0-59
Second	0-59
Back&Save	
Back	

6.2.10 Bookkeeping

Player1	Coins	Tickets	Payout
1	0	0	0.00
Back			

6.2.11 Daily Record

Date	Weekday	RunTime	Coins	Tickets	Payout
2014-06-01	Fri	00:01	0	0	0.00

[Prev. Page](#)
[Next Page](#)
[Clear](#)
[Back](#)

6.2.12 About This Game

CPU
MotherBoard
HDD
RAM
Monitor
Screen
Version
Press the Test Button to Go Back

7. TROUBLESHOOTING







7.1 Common Problem

Please confirm that all connectors fit tightly.

Symptom	Possible Cause	Recommended action
Game will not start	Frame assembly connector is loose.	Check connector.
	Frame assembly fault	Contact with UNIS Service.
Power off	Circuit protector make power SW in off state.	Turn on power SW again. If appeared again and again, machine has anomaly. Please contact with UNIS Service.
Card reader not working	The connector is loose.	Check connector.
	Card reader fault.	Check with card reader manufacturer.
No ticket dispensing	Out of ticket.	Add ticket and press reset button
	Ticket jamming.	Remove the jammed tickets and press reset button.
	The connector is loose.	Plug the connector tightly.
No sound	Low volume	Raise the volume.
	Connector loose.	Check connector.
	Speaker fault.	Check speaker.
	POT installation error.	Install POT correctly.
	POT fault.	Change POT.
	Audio cable problem.	Reconnect the audio cable or change it.
	PC crash.	Restart or system recovery.
Driver problem	Restart the audio driver.	
Display black screen	Check connectors.	Plug in connector tightly
	Display fault.	Utilize another source such as a PC to verify if the display is operational.
	RAM is loose.	Remove and reinsert RAM.
Display blue screen	PC power cord is loose	Check PC power cord whether is loose.
	VGA signal cable is loose.	Check VGA cable
	PC video card is loose.	Reseat video card.
	“OX000000A” code appears. Conflict between computer drive and software.	Contact service

Note: After replacing component from pc (except for RAM), and replacing monitor, the game should be recovered again with the recovery stick attached to the machine.

If you see following error signs showing on the display, please try the recommended action.

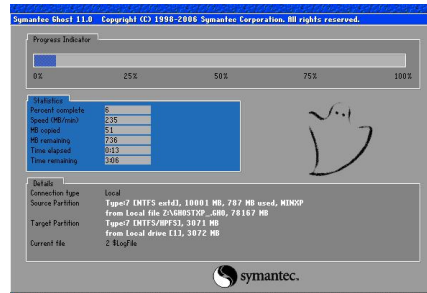
Display	Possible Cause	Recommended action
 IO ERROR	The connection part of the IO board and PC are loose.	Check and reconnect the loose cables of the PC or IO board.
	Cable quality problem.	Change the cable after checking the connection between IO board and PC.
	Cable became loose during transportation.	Check and reconnect the loose cables of the PC or IO board.
	IO board is faulty.	Reboot the game after checking connection and cable problem, if the problem remains unresolved, please call the service department for assistance.
 TICKET ERROR CALL ATTENDANT Tickets Owed:	Out of ticket.	Refill tickets.
	Disconnection of the ticket dispenser's cables.	Check and reconnect the loose cables to the ticket dispenser.
	Ticket dispenser is faulty.	Change the ticket dispenser.
 NETWORK ERROR	Ticket jam.	Remove jammed tickets.
	PC number is incorrect.	Enter the setting menu to set the correct number.
	Network port/cable problem	Check the network port if light is on or check the network cable. If the network cable is faulty, change it.
 Saddle sensor activated. Remain seated.	Switch /router problem	Check the switch and router if they are normally work or check the ports. Change the switch and router if problem remains.
	No player is on the saddle.	Sit and play the game.
 Please don't step on the pedal during the game	Player leaves the saddle when horse is running.	Sit back to saddle or wait for game over.
	Someone steps on the pedal when horse is running.	Ask persons to leave the pedal.
 Horse stop	Horse stops running.	Press STOP button to restart.

7.2 System Recovery Operation (NOTE: Do not disconnect power during this process.)

Recovery software “DerbyChampionCforMidPCxxx” is used for computer in the the middle back box.

Recovery software”DerbyChampionCforSidePCxxx” is used for computers inside the back boxes on each side.

1. Turn off the game. Remove the recovery stick from the machine. (Note: This process may take up to 60 minutes) Insert the recovery stick into the port at the back of the computer.
2. Restart PC to enter the system recovery screen as shown.



3. The game will automatically start recovery.
4. Once system recovery is partially finished (as shown below), and the ICON appears, remove the recovery stick from the computer. The game will continue the install process.

OK to remove the recovery stick.



5. Assure that the recovery stick has been properly secured for future use.



WARNING: The recovery stick should only be used to fix software errors. Using it for other purposes may cause unexpected results and damages.

8. MAINTENANCE & INSPECTION

8.1 Safety Check

Check the points listed before operating the machine. These checks are necessary for safe machine operation:

1. Test game before operation each day.
2. Conduct monthly routine checks of game components to ensure good working condition.
3. Check the machine regularly for dust and clean when necessary.

Note: Parts and components require preventative maintenance to maintain proper operation.

8.2 Handling Precautions

When installing or inspecting the machine, be very careful of the following points and pay attention to ensure that the player can enjoy the game safely.

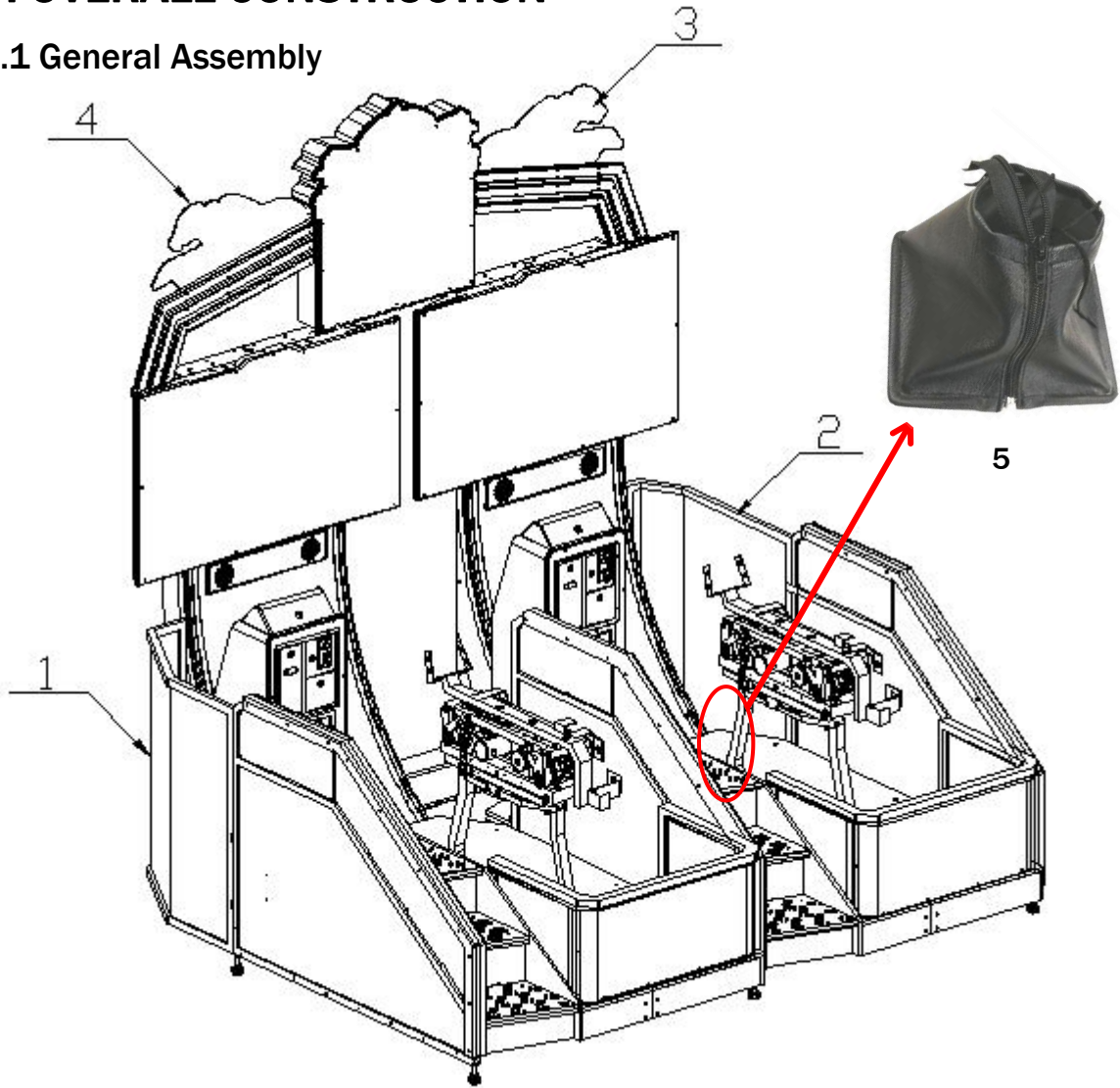
Non-compliance with the following points or inappropriate handling running counter to the cautionary matters herein stated can cause personal injury or damage to the machine

 **NOTICE**

We do not recommend using power tools as they may cause damage.

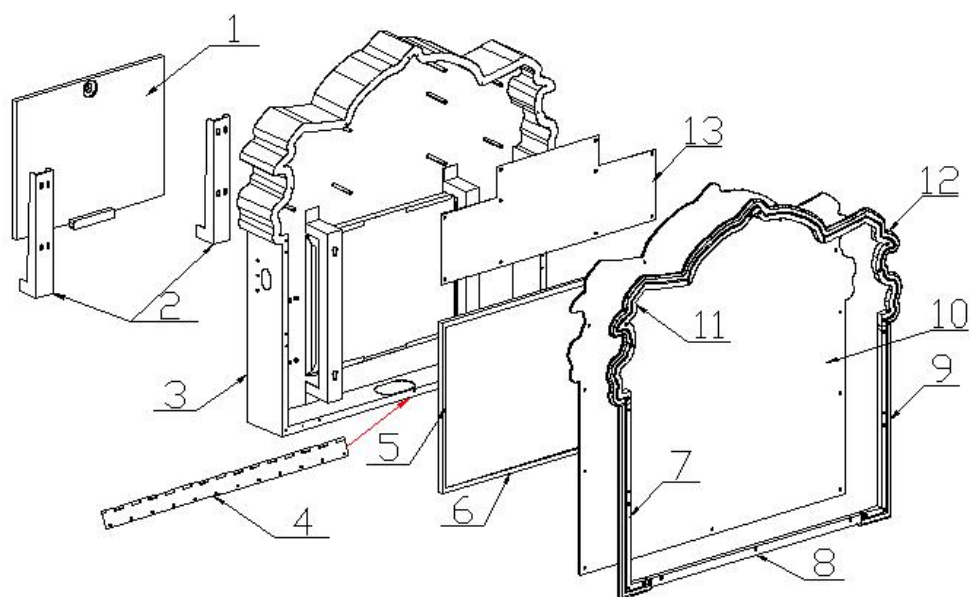
9. OVERALL CONSTRUCTION

9.1 General Assembly



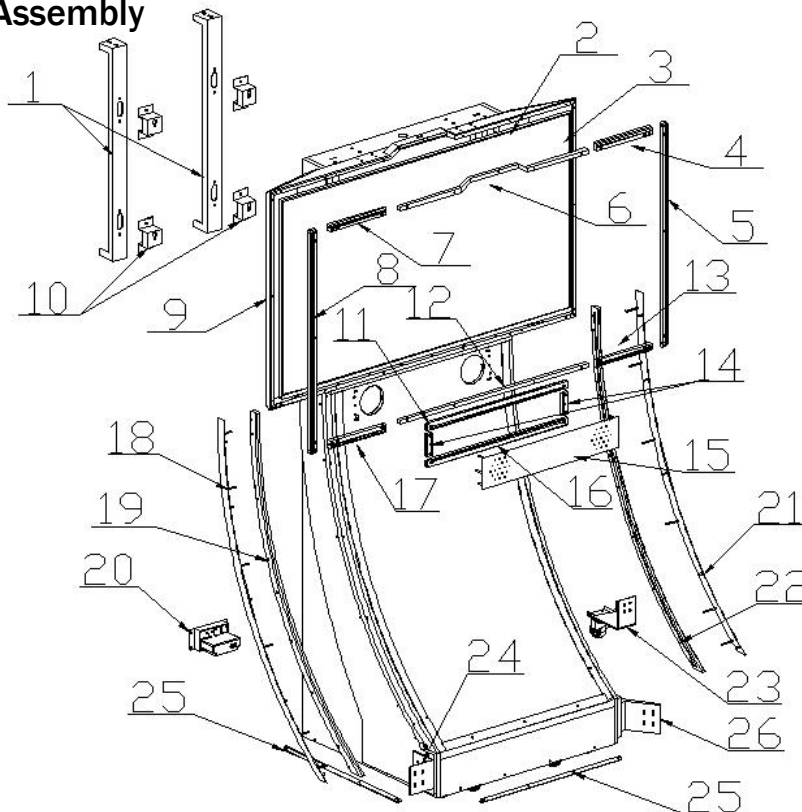
No.	Part No.	Code	Name	Qty
1	D158-300-000	20241809A007	Fence plate 2	1
2	D158-301-000	20241809A006	Fence plate 1	1
3	D158-703-001	20541809A003A	Right cardboard	1
4	D158-702-001	20541809A002A	Left cardboard	1
5	D158-305-000	20641809A014	Protected sleeve	4

9.2 Marquee Monitor Assembly



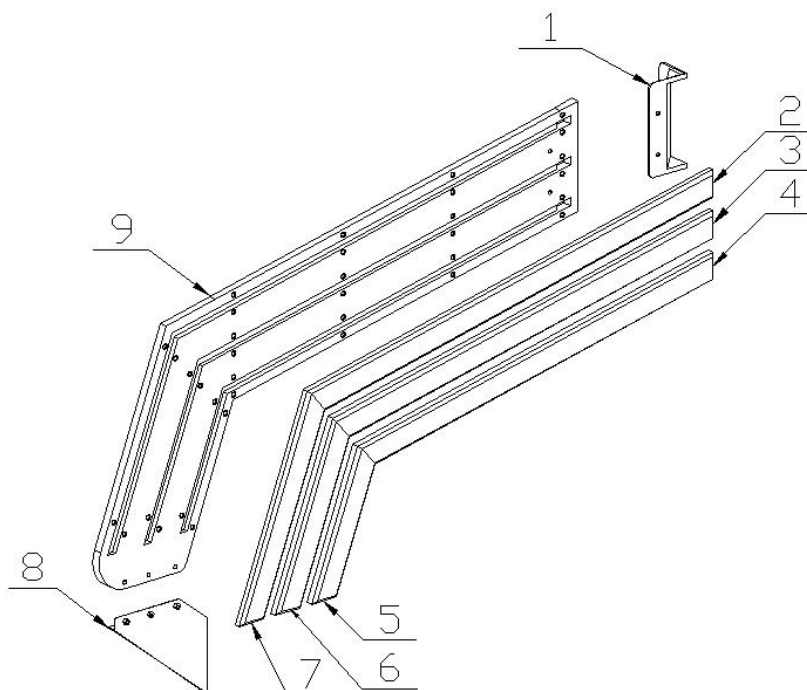
No.	Part No.	Code	Name	Qty
1	D158-572-000	20341809A067	Marquee back wood plate	1
	D158-601-000	25300171001	171A lock	1
2	D158-215-000	20241809040	Marquee bracket	2
3	D158-214-000	20241809053	Marquee monitor frame	1
4	D158-222-000	20241809049	Marquee monitor hinge	1
5	D158-224-000	20641809051	Marquee monitor pad 2	2
6	D158-223-000	20641809050	Marquee monitor pad 1	2
7	D158-216-000	20641809032	Marquee monitor plastic 1	1
8	D158-220-000	20641809036	Marquee monitor plastic 5	1
9	D158-217-000	20641809033	Marquee monitor plastic 2	1
10	D158-701-000	20541809A001	Marquee monitor plastic	1
11	D158-219-000	20641809035	Marquee monitor plastic 4	1
12	D158-218-000	20641809034	Marquee monitor plastic 3	1
13	D158-221-000	20641809040	Marquee monitor clear plastic	1

9.3 Monitor Assembly



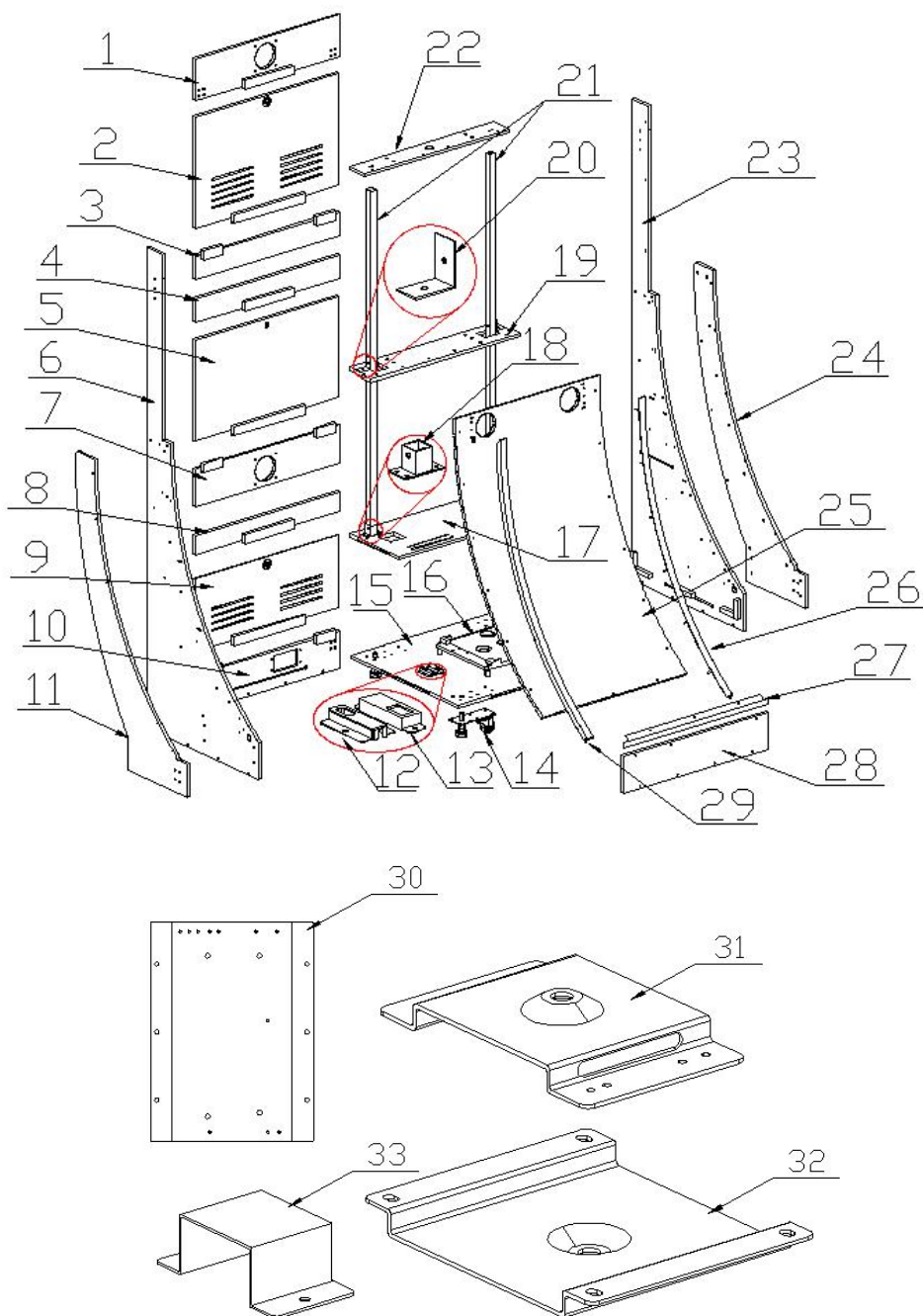
No.	Part No.	Code	Name	Qty
1	D158-128-000	20241809012	Monitor bracket 01	2×2
2	D158-133-000	20641809059	Monitor black foam 01	2×2
3	D158-134-000	20641809052	Monitor black foam 02	2×2
4	D158-120-000	20641809005	Monitor plastic 6	1×2
5	D158-115-000	20641809013	Monitor plastic 1	1×2
6	D158-127-000	20641809012	Monitor plastic 8	1×2
7	D158-118-000	20641809003	Monitor plastic 4	1×2
8	D158-116-000	20641809001	Monitor plastic 2	1×2
9	D158-110-000	20241809007	Monitor Frame	1×2
10	D158-129-000	20241809055	Monitor bracket 02	4×2
11	D158-124-000	20641809009A	Speaker plastic	1×2
12	D158-121-000	20641809006	Monitor plastic 7	1×2
13	D158-119-000	20641809004	Monitor plastic 5	1×2
14	D158-126-000	20641809011A	Speaker plastic 3	2×2
15	D158-111-000	20241809008	Speaker cover plate	1×2
16	D158-125-000	20641809010A	Speaker plastic 2	1×2
17	D158-117-000	20641809002	Monitor plastic 3	1×2
18	D158-114-000	20241809011	Curved light cover plate 2	1×2
19	D158-123-000	20641809008	Curved light plastic 2	1×2
20	D158-130-000	26000042000B	Power box	1×2
21	D158-113-000	20241809010	Curved light cover plate 1	1×2
22	D158-122-000	20641809007	Curved light plastic 1	1×2
23	D158-135-000	20641809053	Back box caster plate	2×2
	D158-602-000	25501000047	Caster	2×2
24	D158-304-000	20241809A004	Back box protected plate 2	1×2
25	D158-112-000	20241809009	T-molding	4×2
26	D158-303-000	20241809A003	Back box protected plate 1	1×2

9.4 Left Side Light Assembly



No.	Part No.	Code	Name	Qty
1	D158-198-000	20241809036	Light plate top fixed plate L	1
2	D158-202-000	20641809A003	Left light bar 3	1
3	D158-201-000	20641809A002	Left light bar 2	1
4	D158-200-000	20641809A001	Left light bar 1	1
5	D158-203-000	20641809A004	Left light bar 4	1
6	D158-204-000	20641809A005	Left light bar 5	1
7	D158-205-000	20641809A006	Left light bar 6	1
8	D158-199-000	20241809037	Light plate bottom fixed plate L	1
9	D158-570-000	20341809A065	Left side light wood plate	1

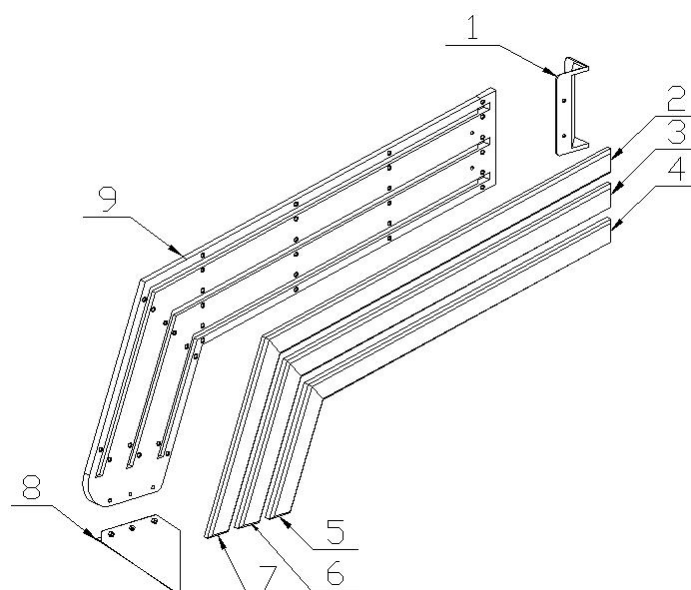
9.5 Back Box Wood Cabinet Assembly



No.	Part No.	Code	Name	Qty
1	D158-516-000	20341809A015	Back box top wood plate	1x2
2	D158-508-000	20341809A007	Back box top door	1x2
	D158-601-000	25300171001	171A lock	1x2
3	D158-512-000	20341809A011	Back box middle wood plate 4	1x2
4	D158-510-000	20341809A009	Back box middle wood plate 2	1x2
5	D158-515-000	20341809A014	Back box middle door	1x2
	D158-601-000	25300171001	171A lock	1x2
6	D158-501-000	20341809A001	Back box left wood plate	1x2
7	D158-511-000	20341809A010	Back box middle wood plate 3	1x2

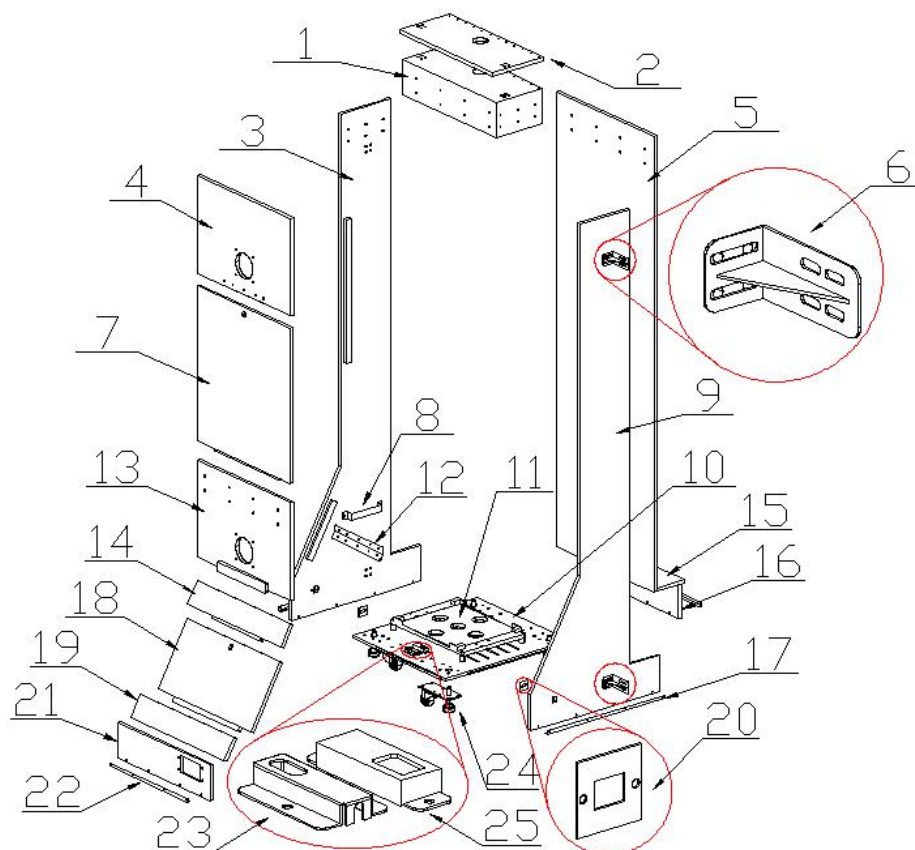
No.	Part No.	Code	Name	Qty
8	D158-509-000	20341809A008	Back box lower wood plate	1×2
9	D158-507-000	20341809A006	Back box lower door	1×2
	D158-601-000	25300171001	171A lock	1×2
10	D158-506-000	20341809A005	Back box bottom wood plate	1×2
11	D158-518-000	20341809A017	Back box left wood plate S	1×2
12	D158-136-000	26000055000	Dongle holder	1×2
13	D158-137-000	26000064000	Recovery stick holder	1×2
14	D158-107-000	26000008000	Leveler	4×2
	D158-108-000	26000010000	Castor bracket	4×2
	D158-602-000	25501000047	Caster	4×2
15	D158-503-001	20341809A068A	Back box bed wood plate	1×2
16	D158-520-000	20341809073	Computer mounting plate	1×2
	D158-131-000	26000013000	Shockproof screw	4×2
17	D158-505-000	20341809A004	Back box divided wood plate	1×2
18	D158-105-000	20241809005	Reinforced tube base	2×2
19	D158-513-000	20341809A012	Monitor frame mounted plate	1×2
20	D158-106-000	20241809006	Reinforced mounted plate	2×2
21	D158-104-000	20241809004	Reinforced tube	2×2
22	D158-514-000	20341809A013	Back box top wood plate	1×2
23	D158-502-000	20341809A002	Back box right wood plate	1×2
24	D158-519-000	20341809A018	Back box right wood plate S	1×2
25	D158-517-000	20341809A016	Curved wood plate	1×2
26	D158-103-000	20241809003	Curved plate mounted plate	1×2
27	D158-102-000	20241809002	Curved plate front mounted plate	1×2
28	D158-504-000	20341809A003	Back box front bottom plat	1×2
29	D158-101-000	20241809001	Curved plate metal plate	1×2
30	D158-140-000	26000001000A	Power supply mounted plate	1×3
31	D158-138-000	26000029000	Ring transformer bottom cover	1×2
32	D158-139-000	26000028000	Ring transformer top cover	1×2
33	D158-141-000	20211605043	Adapter mounted plate	1×3

9.6 Right Side Light Assembly



No.	Part No.	Code	Name	Qty
1	D158-206-000	20241809038	Light plate top fixed plate R	1
2	D158-210-000	20641809A009	Right light bar 3	1
3	D158-209-000	20641809A008	Right light bar 2	1
4	D158-208-000	20641809A007	Right light bar 1	1
5	D158-211-000	20641809A010	Right light bar 4	1
6	D158-212-000	20641809A011	Right light bar 5	1
7	D158-213-000	20641809A012	Right light bar 6	1
8	D158-207-000	20241809039	Light plate bottom fixed plate R	1
9	D158-571-000	20341809A066	Right side light wood plate	1

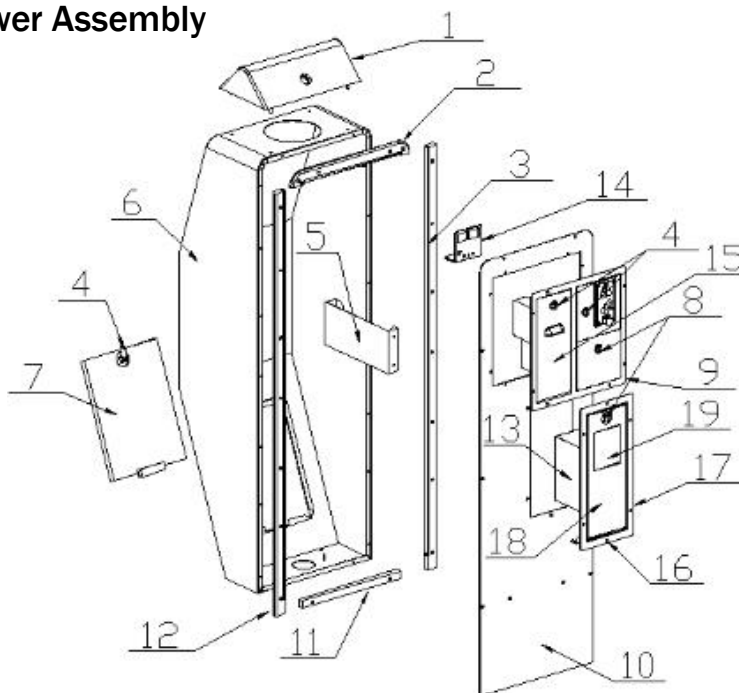
9.7 Back Middle Box Wood Cabinet Assembly



No.	Part No.	Code	Name	Qty
1	D158-194-000	20241809032	Reinforced metal box	1
2	D158-567-000	20341809A062	Back middle box wood plate 12	1
3	D158-560-000	20341809A055	Back middle box wood plate 5	1
4	D158-566-000	20341809A061	Back middle box wood plate 11	1
5	D158-568-000	20341809A063	Back middle box wood plate 13	1
6	D158-302-000	20241809A005	Connective plate	4
7	D158-565-000	20341809A060	Back middle box wood plate 10	1
8	D158-307-000	20241809A017	Router mounted plate	1
9	D158-559-000	20341809A054	Back middle box wood plate 4	1
10	D158-556-000	20341809A070	Back middle box wood plate 1	1
11	D158-520-000	20341809073	Computer mounting plate	1
	D158-131-000	26000013000	Shockproof screw	4
12	D158-193-000	20241809059	Back middle box back plate	1
13	D158-564-000	20341809A059	Back middle box wood plate 9	1
14	D158-563-000	20341809A058	Back middle box wood plate 8	1
15	D158-569-000	20341809A064	Back middle box wood plate 14	1
16	D158-557-000	20341809A052	Back middle box wood plate 2	1
17	D158-112-000	20241809009	T-molding	2
18	D158-562-000	20341809A057	Back middle box wood plate 7	1
19	D158-561-000	20341809A056	Back middle box wood plate 6	1
20	D158-195-000	20241809060	Terminal block	2

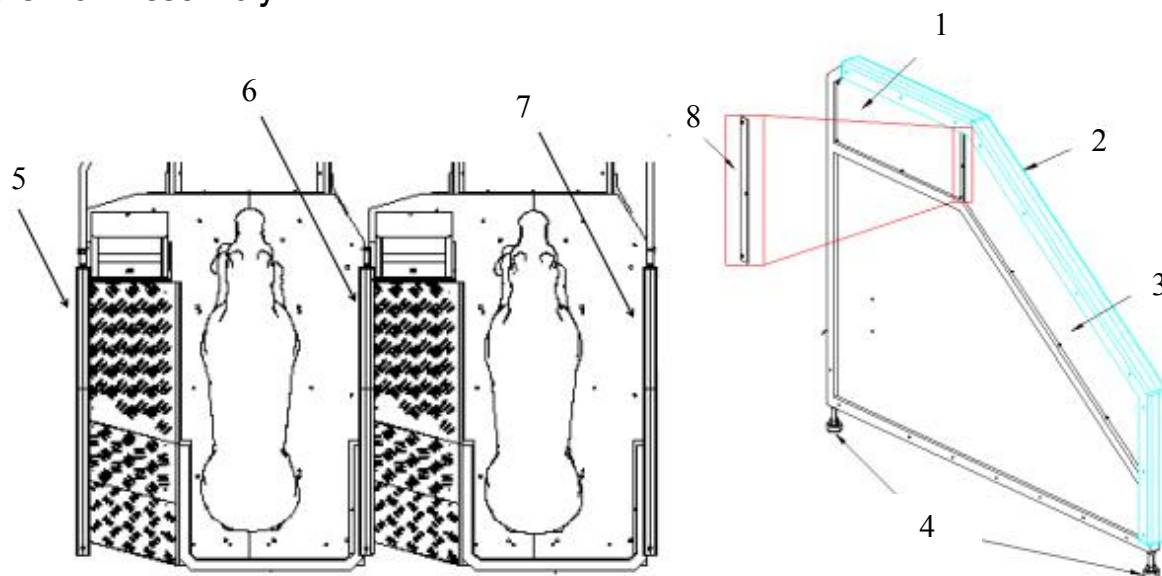
No.	Part No.	Code	Name	Qty
21	D158-558-001	20341809A053A	Back middle box wood plate 3	1
22	D158-196-000	20241809033	T-molding 2	2
23	D158-136-000	26000055000	Dongle holder	1
24	D158-107-000	26000008000	Leveler	4
	D158-108-000	26000010000	Caster bracket	4
	D158-602-000	25501000047	Caster	4
25	D158-137-000	26000064000	Recovery stick holder	1

9.8 Coin Tower Assembly



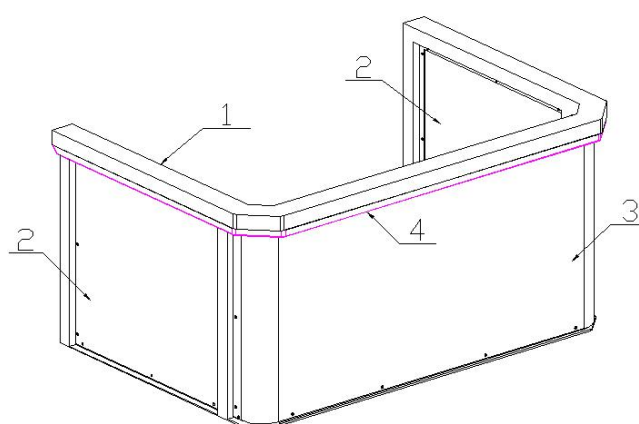
No.	Part No.	Code	Name	Qty
1	D158-171-000	20241809027	STOP button mounted base	1x2
2	D158-172-000	20641809016	Coin tower light plastic 1	1x2
3	D158-173-000	20641809017	Coin tower light plastic 2	1x2
4	D158-601-000	25300171001	171A lock	3x2
5	D158-185-000	26000007000	Ticket bin	1x2
6	D158-170-000	20241809026	Coin tower	1x2
7	D158-555-000	20341809049	Coin tower back wood plate	1x2
8	D158-603-000	25300172001	171B lock	1x2
9	D158-177-000	20241809A001	Coin door assembly	1x2
10	D158-175-000	20241809A015	Coin tower front plate	1x2
11	D158-176-000	20641809019	Coin tower light plastic 4	1x2
12	D158-174-000	20641809018	Coin tower light plastic 3	1x2
13	D158-184-000	20241501033	DBV protected plate	1x2
14	D158-186-000	26000044000	Counter bracket	1x2
15	D158-178-000	20241809A002	Ticket door	1x2
16	D158-179-000	20241501028	DBV door assembly	1x2
17	D158-180-000	20241501029	DBV door frame	1x2
18	D158-182-000	20241501030	DBV door	1x2
	D158-183-000	20241501031	Door hinge	1x2
19	D158-181-000	20241501032	DBV cover plate	1x2

9.9 Rail Assembly



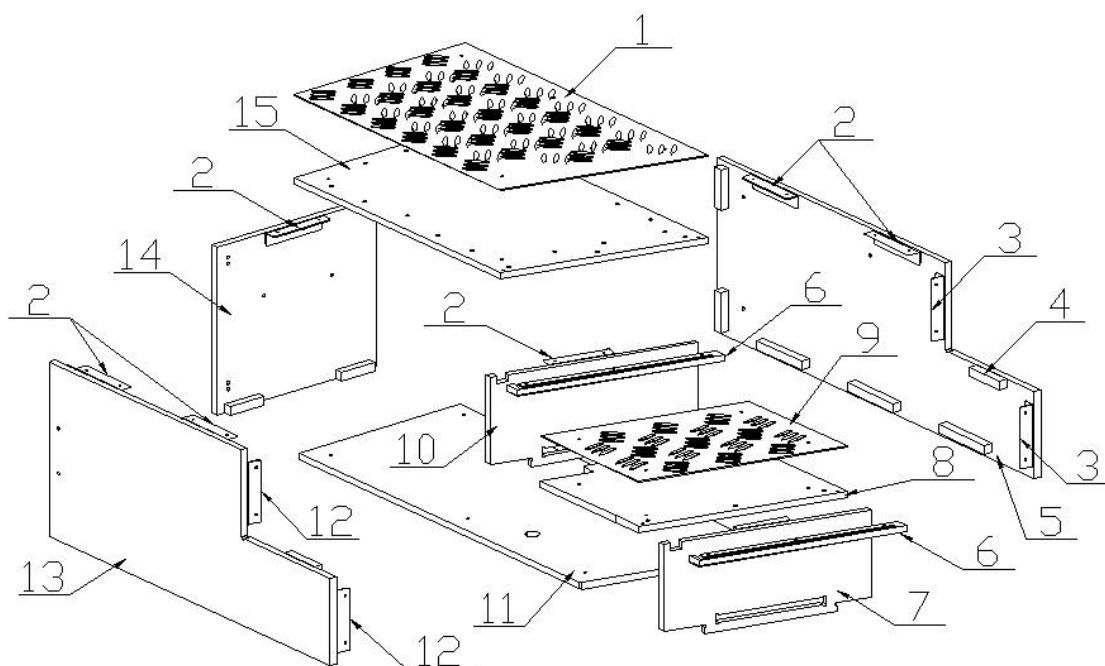
No.	Part No.	Code	Name	Qty
1	D158-189-000	20641809038	Rail PVC 1	1x3
2	D158-191-000	20641809055	Rail light cover	1x3
3	D158-190-000	20641809039	Rail PVC 2	1x3
4	D158-107-000	26000008000	Leveler	2x3
5	D158-187-000	20241809A018	Left rail metal panel	1
6	D158-192-000	20241809031	Middle rail metal panel	1
7	D158-197-000	20241809A019	Right rail metal panel	1
8	D158-188-000	20241809030	Rail PVC cover	1x3

9.10 Platform Fence Assembly



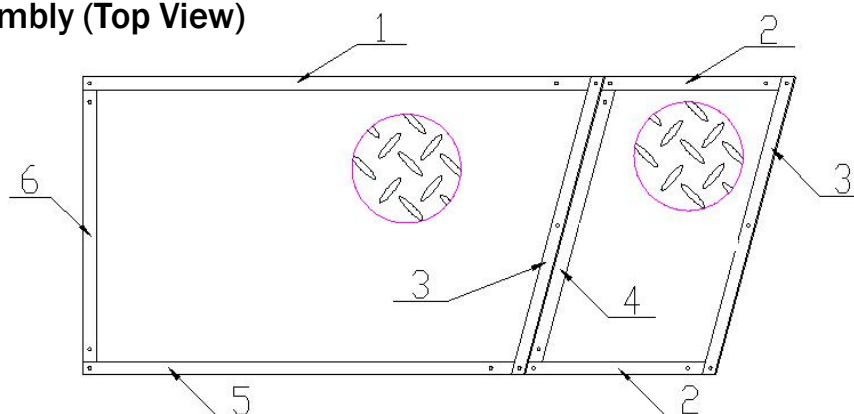
No.	Part No.	Code	Name	Qty
1	D158-296-000	20241809A016	Platform fence metal bracket	1x2
2	D158-298-000	20641809042	Platform fence plate 2	2x2
3	D158-297-000	20641809041	Platform fence plate 1	1x2
4	D158-299-000	20641809037	Platform fence light bar	1x2

9.11 Stair Assembly



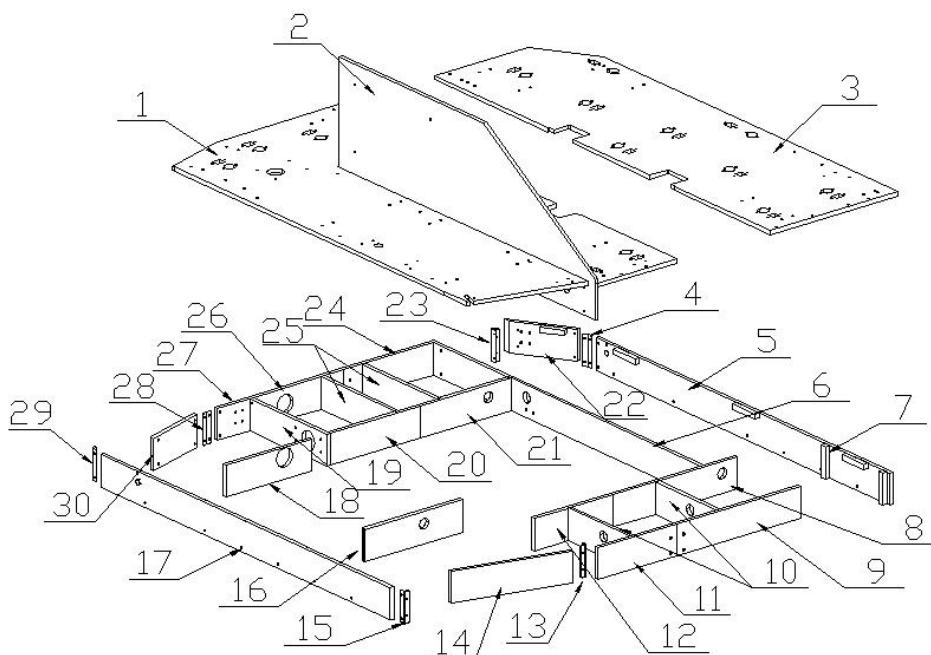
No.	Part No.	Code	Name	Qty
1	D158-146-000	20641809A017	Anti-skid rubber pad 2	1×2
2	D158-142-000	20241809014	Stair metal bar	6×2
3	D158-144-000	20241809057	Stair reinforced metal 1	2×2
4	D158-109-000	26000067000	Plastic bar	15×2
5	D158-522-001	20341809A020A	Stair wood plate 2	1×2
6	D158-147-000	20641809014	Stair light bar	2×2
7	D158-528-000	20341809A025	Stair wood plate 8	1×2
8	D158-524-001	20341809A022A	Stair wood plate 4	1×2
9	D158-145-000	20641809A016	Anti-skid rubber pad 1	1×2
10	D158-523-000	20341809A021	Stair wood plate 3	1×2
11	D158-527-000	20341809A069	Stair wood plate 7	1×2
12	D158-143-000	20241809058	Stair reinforced metal 2	2×2
13	D158-526-001	20341809A024A	Stair wood plate 6	1×2
14	D158-525-000	20341809A023	Stair wood plate 5	1×2
15	D158-521-001	20341809A019A	Stair wood plate 1	1×2

9.12 Stair Assembly (Top View)



No.	Part No.	Code	Name	Qty
1	D158-150-000	20241809A009	Holding edge strip 3	1×2
2	D158-151-000	20241809A010	Holding edge strip 4	1×2
3	D158-148-000	20641809A013	Green strip	2×2
4	D158-153-000	20241809A012	Holding edge strip 7	1×2
5	D158-149-000	20241809A008	Holding edge strip 2	1×2
6	D158-152-000	20241809A011	Holding edge strip 6	1×2

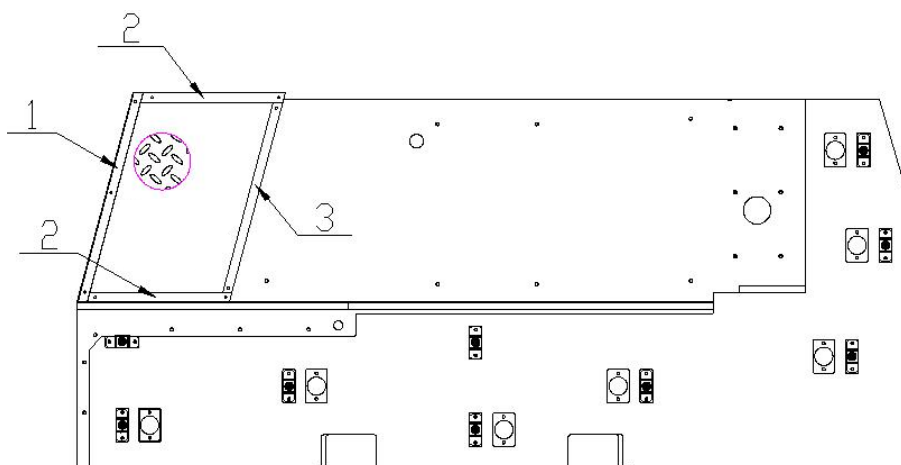
9.13 Platform Wood Case Assembly 01



No.	Part No.	Code	Name	Qty
1	D158-530-000	20341809A027	Platform wood plate 4	1×2
2	D158-531-000	20341809A028	Platform wood plate 5	1×2
3	D158-529-000	20341809A026	Platform wood plate 3	1×2
4	D158-158-000	20241809019	Platform metal plate 5	1×2
5	D158-548-000	20341809A045	Platform wood plate 23	1×2
6	D158-539-000	20341809A036	Platform wood plate 14	1×2
7	D158-109-000	26000067000	Plastic bar	52×2

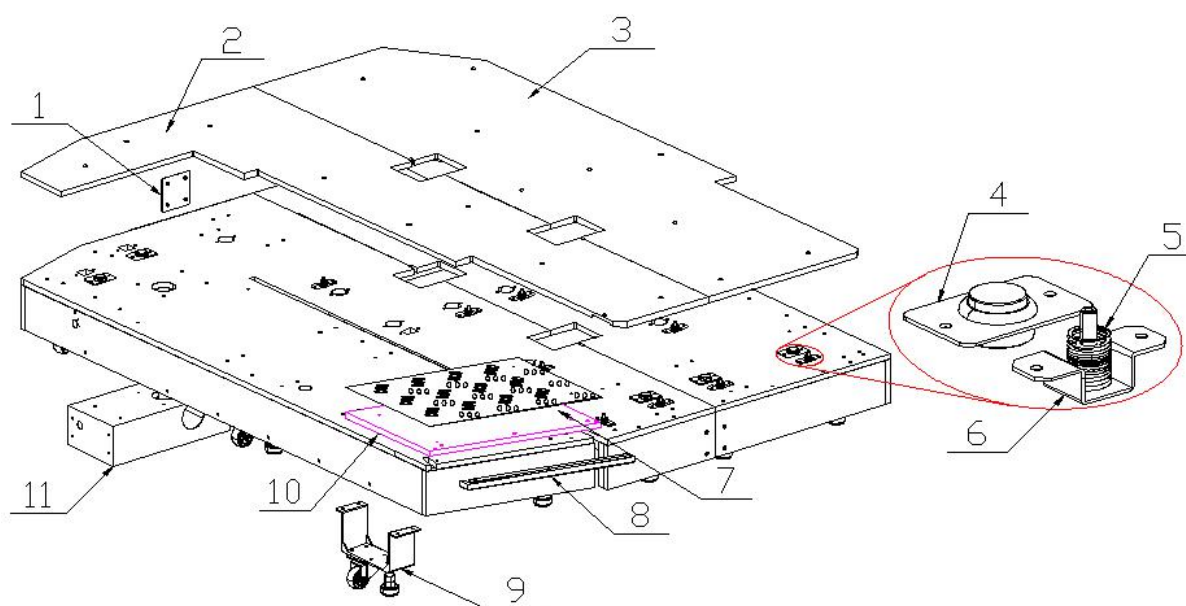
No.	Part No.	Code	Name	Qty
8	D158-550-000	20341809A047	Platform wood plate 25	1×2
9	D158-547-000	20341809A044	Platform wood plate 22	1×2
10	D158-538-000	20341809A035	Platform wood plate 13	2×2
11	D158-546-000	20341809A043	Platform wood plate 21	1×2
12	D158-536-000	20341809A033	Platform wood plate 10	1×2
13	D158-157-000	20241809018	Platform metal plate 4	1×2
14	D158-543-000	20341809A040	Platform wood plate 18	1×2
15	D158-156-000	20241809017	Platform metal plate 3	1×2
16	D158-540-000	20341809A037	Platform wood plate 15	1×2
17	D158-549-000	20341809A046	Platform wood plate 24	1×2
18	D158-534-000	20341809A031	Platform wood plate 8	1×2
19	D158-535-000	20341809A032	Platform wood plate 9	1×2
20	D158-533-000	20341809A030	Platform wood plate 7	1×2
21	D158-532-000	20341809A029	Platform wood plate 6	1×2
22	D158-551-000	20341809A048	Platform wood plate 26	1×2
23	D158-159-000	20241809020	Platform metal plate 6	1×2
24	D158-542-000	20341809A039	Platform wood plate 17	1×2
25	D158-537-000	20341809A034	Platform wood plate 12	1×2
26	D158-541-000	20341809A038	Platform wood plate 16	1×2
27	D158-545-001	20341809A042A	Platform wood plate 20	1×2
28	D158-154-000	20241809015	Platform metal plate 1	1×2
29	D158-155-000	20241809016	Platform metal plate 2	1×2
30	D158-544-000	20341809A041	Platform wood plate 19	1×2

9.14 Platform Wood Case Assembly (Overhead View)



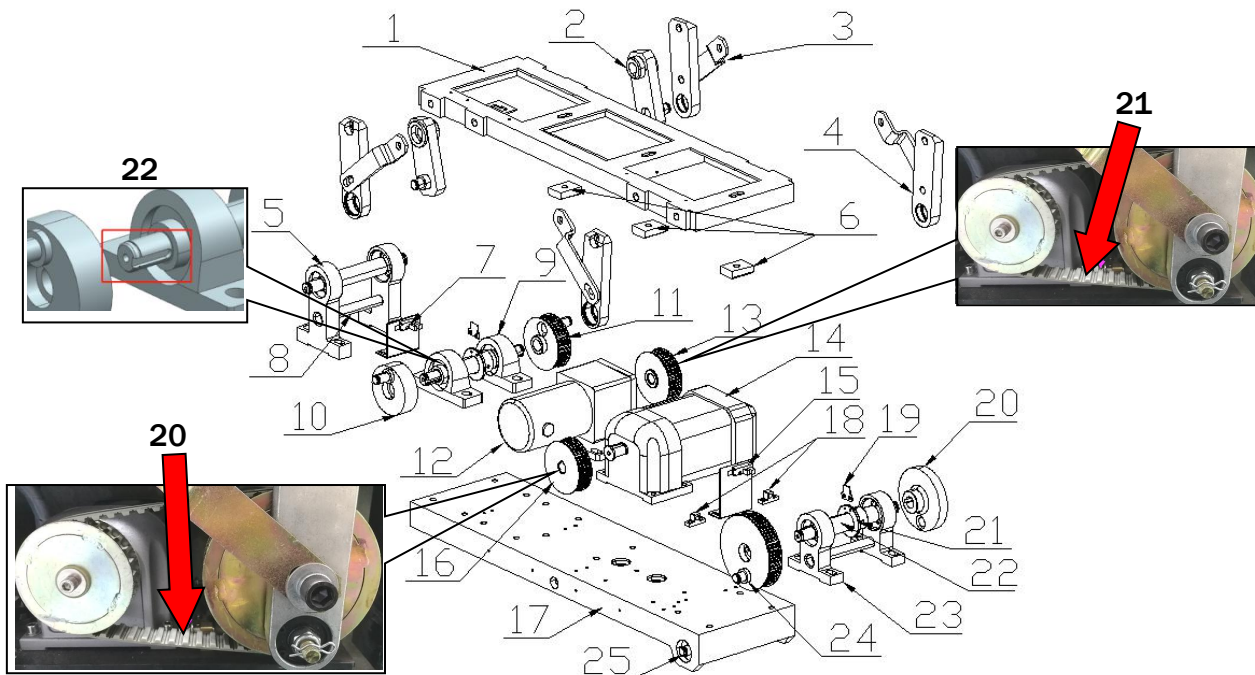
No.	Part No.	Code	Name	Qty
1	D158-148-000	20641809A013	Green strip	1×2
2	D158-168-000	20241809A013	Holding edge strip 5	2×2
3	D158-169-000	20241809A014	Holding edge strip 8	1×2

9.15 Platform Wood Case Assembly 02



No.	Part No.	Code	Name	Qty
1	D158-162-000	20241809022	Platform metal plate	2×2
2	D158-553-000	20341809A050	Platform wood plate 2	1×2
3	D158-552-000	20341809A049	Platform wood plate 1	1×2
4	D158-165-000	20251507051	Sensor switch plate	16×2
5	D158-167-000	20251507004	Platform spring	18×2
6	D158-166-000	20251507001	Platform spring bracket	18×2
7	D158-160-000	20641809A018	Anti-skid rubber pad 3	1×2
8	D158-164-000	20641809060	Stair light bar 2	1×2
9	D158-163-000	20241809023	Caster bracket 1	11×2
	D158-107-000	26000008000	Leveler	11×2
	D158-602-000	25501000047	Caster	11×2
10	D158-554-001	20341809A051A	Platform wood plate 11	1×2
11	D158-161-000	20241809021	Platform metal box	1×2

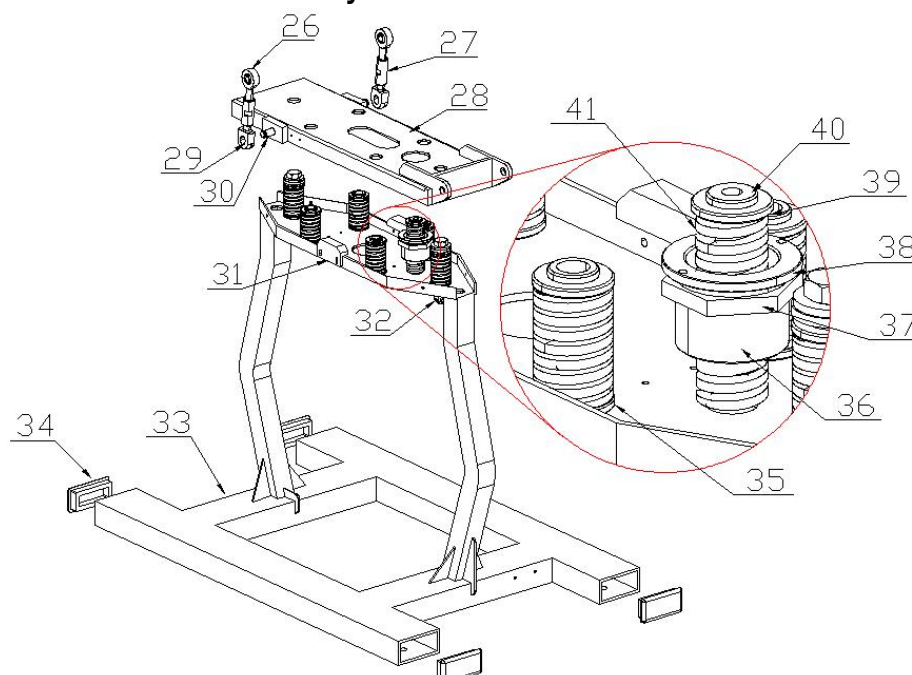
9.16 Horse Mechanism Assembly 01



No.	Part No.	Code	Name	Qty
1	D158-229-000	20250841005B	Horse mechanism frame	1×2
2	D158-236-000	20250841078	Swing arm B	2×2
3	D158-230-000	20250841034	Connecting rod	4×2
4	D158-231-000	20250841071	Swing arm A	4×2
	D158-611-000	20106000125	Deep groove BR.	4×2
5	D158-264-000	20250841092	BR. block C	2×2
	D158-609-000	20106000127	Deep groove BR.	2×2
6	D158-241-000	20250841039	Customized nut	3×2
7	D158-263-000	20251507054	Sensor plate B	1×2
8	D158-237-000	20250841047	Support pillar	2×2
9	D158-262-000	20250841093	BR. block B	2×2
	D158-609-000	20106000127	Deep groove BR.	2×2
10	D158-261-000	20241809070A	Main rocker arm B	1×2
11	D158-265-000	20241809067A	Rocker arm B	1×2
12	D158-614-001	23404000258	Motor	1×2
	D158-267-000	20250841081	Motor base	1×2
13	D158-266-000	20251507003	Belt B	1×2
14	D158-613-000	23405000072	Motor	1×2
15	D158-258-000	20251507053	Sensor plate A	1×2
16	D158-259-000	20250841087	Wheel A	1×2
	D158-260-000	20250841035	Spacer A	2×2
17	D158-232-000	20250841070	Horse mechanism base	1×2
18	D158-268-000	20250841083	Belt tension seat	3×2
19	D158-257-000	20250841043	Sensor flap	2×2
20	D158-608-000	26505000096	Long belt	1×2
21	D158-607-000	26505000095	Short belt	1×2
22	D158-610-000	20115090001	Type C flat key	6×2

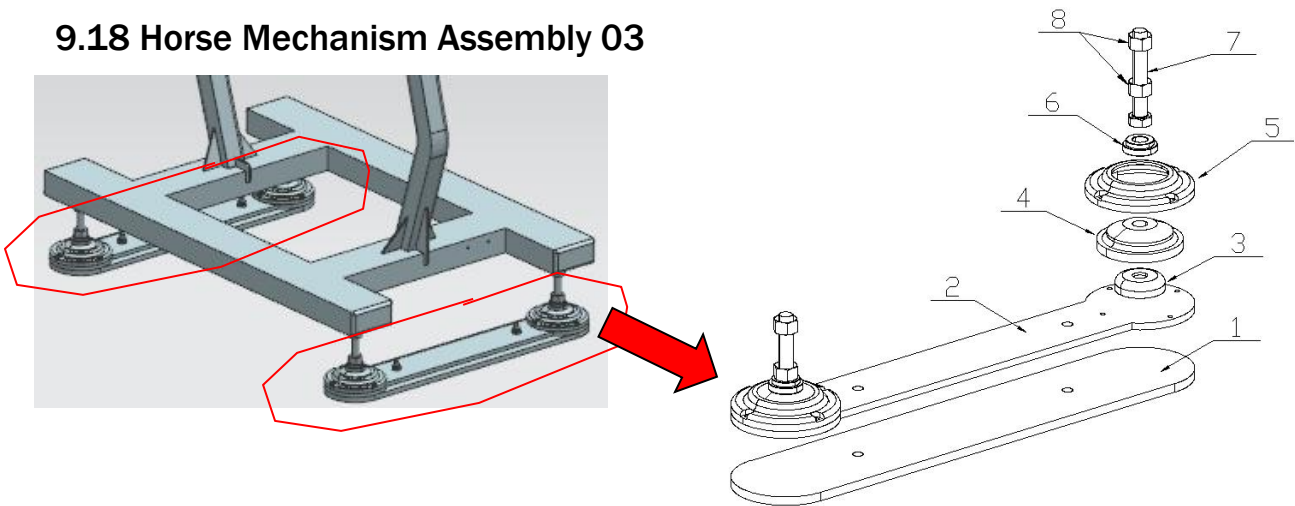
No.	Part No.	Code	Name	Qty
20	D158-240-000	20241809068A	Rocker arm A	1×2
21	D158-256-000	20250841084	Flange	2×2
22	D158-235-000	20241809071	Shaft A	3×2
23	D158-255-000	20250841094	BR. block A	2×2
	D158-609-000	20106000127	Deep groove BR.	2×2
24	D158-239-000	20241809069A	Main rocker arm A	1×2
25	D158-238-000	20241809066	Shaft C	1×2
	D158-612-000	20106000204	Deep groove BR.	2×2

9.17 Horse Mechanism Assembly 02



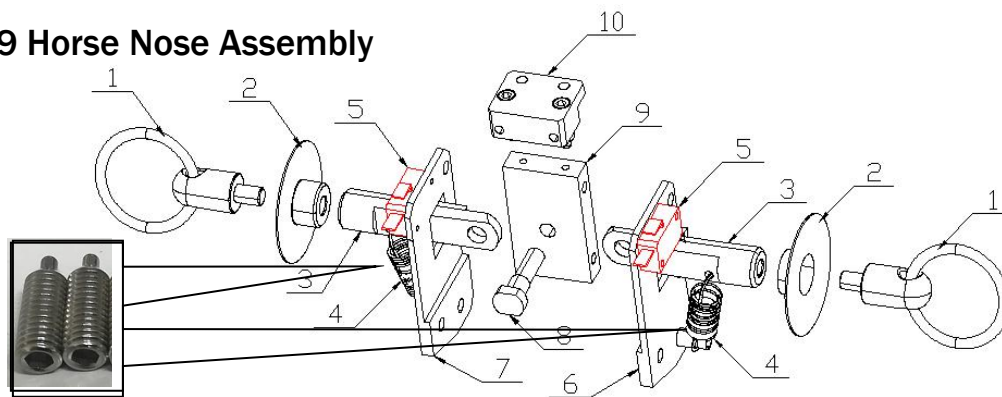
No.	Part No.	Code	Name	Qty
26	D158-606-000	20106080131	Rod end knuckle BR.	2×2
27	D158-228-000	20250841040	Connecting sleeve	2×2
28	D158-233-000	20250841004	Buffer base	1×2
29	D158-227-000	20250841089	Supported shaft	2×2
30	D158-242-000	20241809065	Shaft B	1×2
31	D158-234-000	20250841107	Cushion block	2×2
32	D158-245-000	20250841038	Hexagon head half tooth screw	2×2
33	D158-226-000	20241809041	Horse frame base	1×2
34	D158-225-000	20650841005	Frame cover	4×2
35	D158-253-000	20250841061	Buffer spring	6×2
36	D158-251-000	20250841074	Spring bottom sleeve	1×2
37	D158-249-000	20250841075	Lock nut	1×2
38	D158-248-000	20250841073	Spring top sleeve	1×2
39	D158-252-000	20250841102	Spring guide sleeve	12×2
40	D158-254-000	20250841112	Spring guide sleeve A	1×2
41	D158-246-000	20250841120	Supported spring	1×2
	D158-247-000	20250841095	Buffer spring 2	1×2

9.18 Horse Mechanism Assembly 03



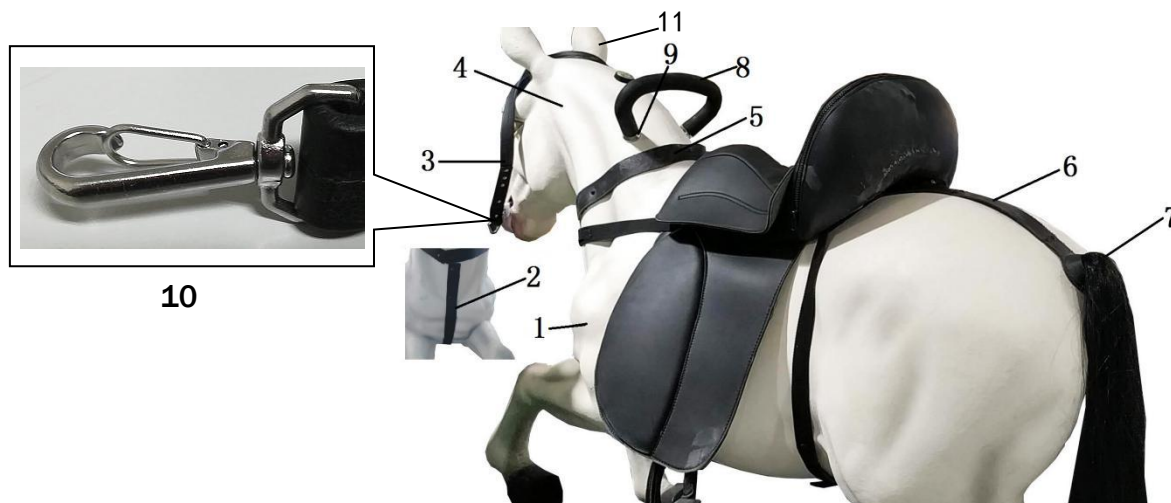
No.	Part No.	Code	Name	Qty
1	D158-270-000	20650841003	Frame base rubber	1×4
2	D158-271-000	20250841069	Frame base metal plate	1×4
3	D158-273-000	20250841031	Frame base cuff	2×4
4	D158-274-000	20650841004	Frame base supporting	2×4
5	D158-272-000	20250841030	Frame base supporting plate	2×4
6	D158-275-000	20250841032	Frame base rubber fixed plate	2×4
7	D158-374-000	20104030030	Hexagon bolt	2×4
8	D158-344-000	20102030014	Hexagon nut	4×4

9.19 Horse Nose Assembly



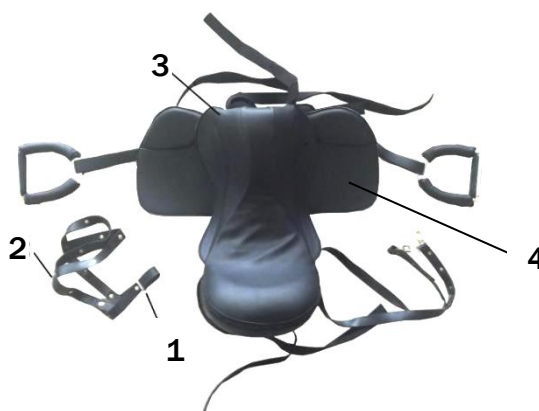
No.	Part No.	Code	Name	Qty
1	D158-282-000	20250841065	Nose ring	2×2
2	D158-281-000	20641809A015	Anti-pinch pad	2×2
3	D158-276-000	20241809042	Steering shaft	2×2
4	D158-280-000	20241809073	Tension spring	2×2
5	D158-462-000	22604000039	Micro SW	2×2
6	D158-277-000	20241809050	Nose left side plate	1×2
7	D158-278-000	20241809051	Nose right side plate	1×2
8	D158-283-000	20250841067	Nose rod	1×2
9	D158-284-000	20250841066	Nose connecting plate	1×2
10	D158-279-000	20241809052	Plunger mounted plate	1×2
11	D158-615-000	25100110009	Ball plunger	2×2

9.20 Horse Body Assembly



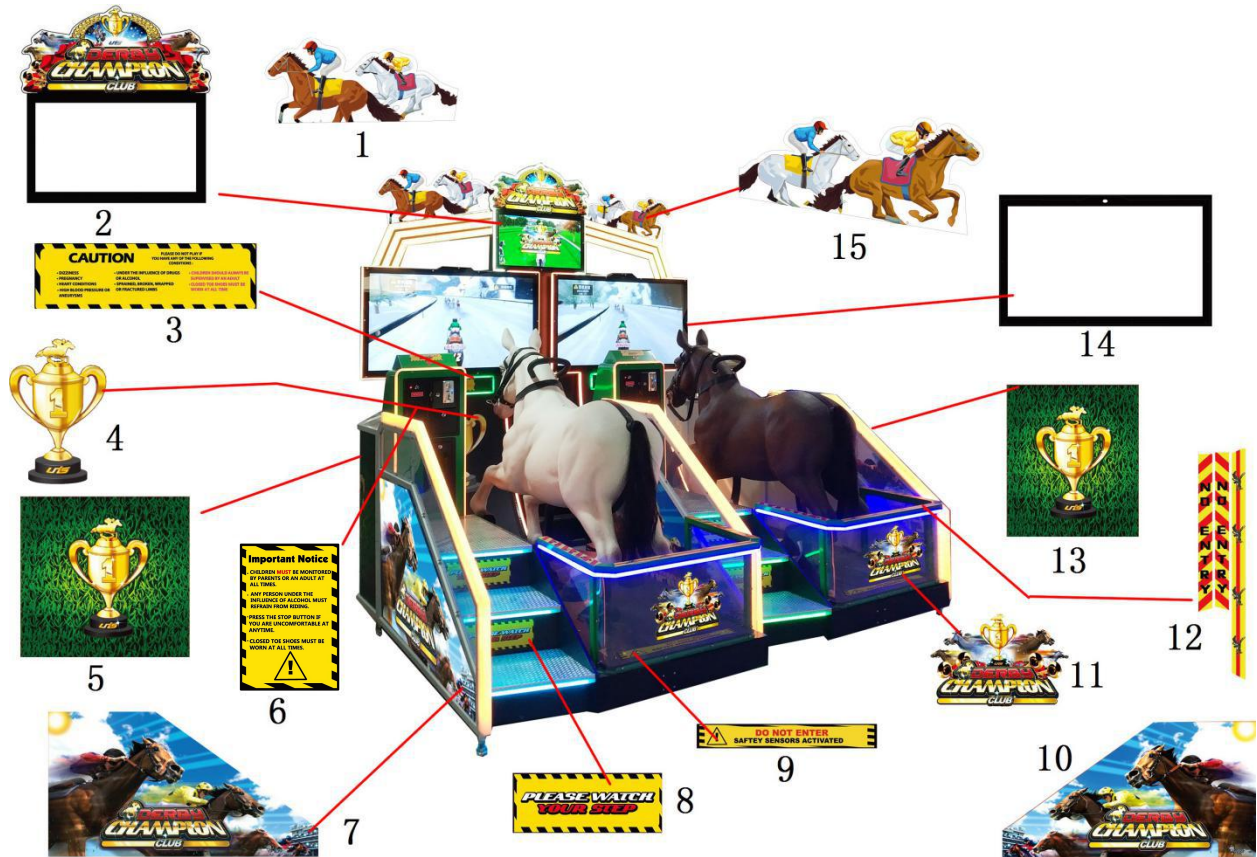
No.	Part No.	Code	Name	Qty
1	D158-901-000	20441809A001	Horse left shell (brown)	1
	D158-905-000	20441809A004	Horse left shell (white)	1
2	D158-294-000	20641809048	Horse front strip	1×2
3	D158-295-000	20641809049	Rein	1×2
4	D158-902-001	20441809A002A	Horse right shell (brown)	1
	D158-904-001	20441809A003A	Horse right shell (white)	1
5	D158-292-000	20641809046	Horse neck strip	1×2
6	D158-293-000	20641809047	Horse back strip	1×2
7	D158-287-000	29951507019	Horse tail	1×2
	D158-288-000	20250841100	Horse tail pin	1×2
	D158-289-000	20250841101	Horse tail seat	1×2
8	D158-310-000	20241809072	Horse handle rubber	1×2
	D158-311-000	20241809081	Horse handle	1×2
9	D158-312-000	20251507072	Horse handle ring	2×2
	D158-395-000	20651507019	Handle rubber	2×2
10	D158-617-000	25109010007	Hook	2×2
11	D158-396-000	20251507069	Horse ear embedded part	2×2

9.21 Saddle Assembly

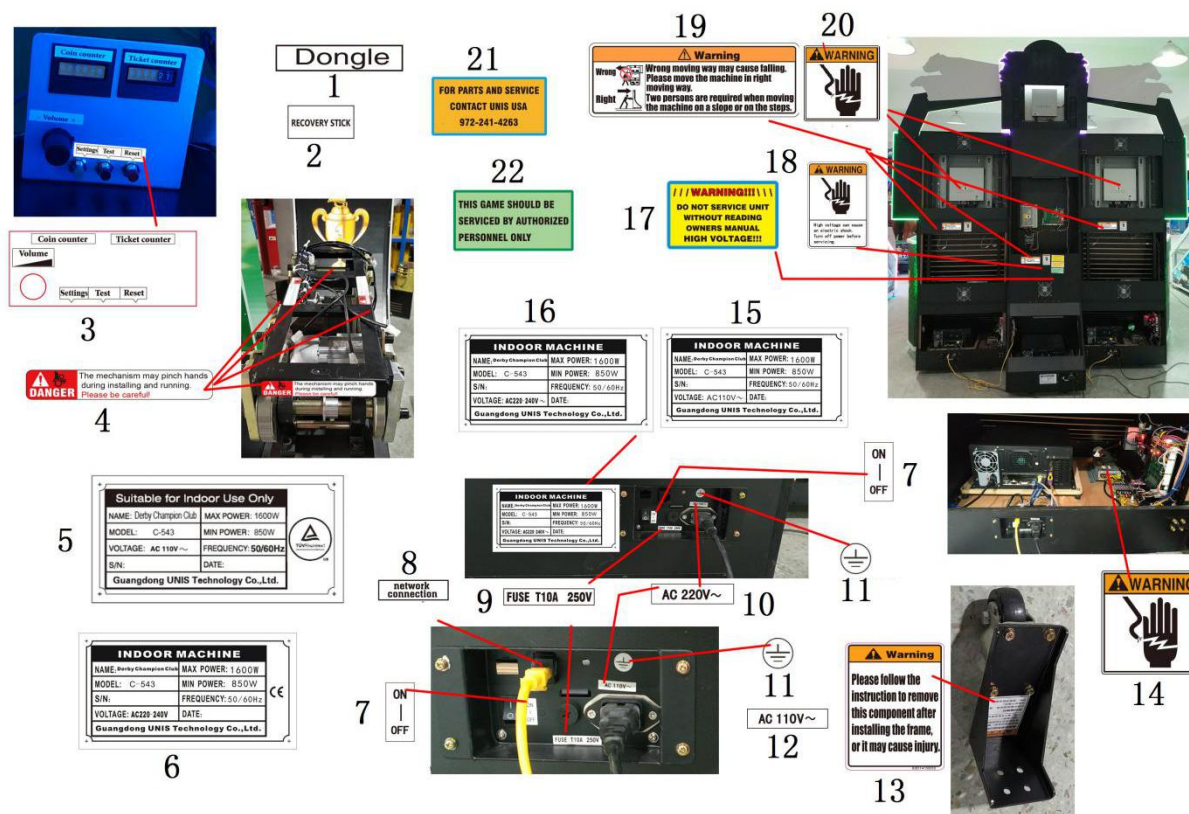


No.	Part No.	Code	Name	Qty
1	D158-616-000	20750841010	Fastening clamp	1×2
2	D158-285-000	20651507021A	Headstall	1×2
3	D158-286-000	20250841056A	Saddle inserts	1×2
4	D158-903-000	20441809001	Saddle fiberglass	1×2

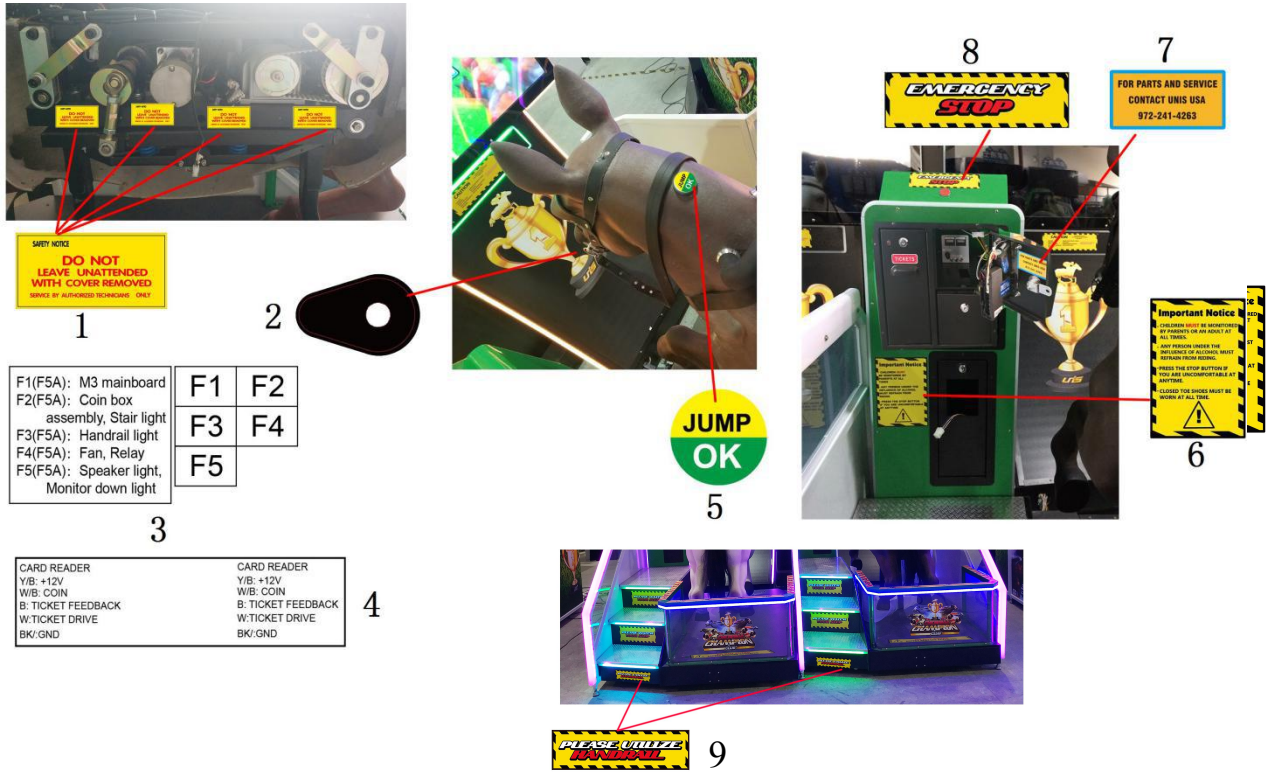
9.22 Decal Part



No.	Part No.	Code	Name	Qty
1	D158-702-001	20541809A002A	Left cardboard	1
2	D158-701-000	20541809A001	Marquee monitor plastic	1
3	D158-713-000	20541809A013	Caution decal	2
4	D158-708-000	20541809A008	Trophy decal	2
5	D158-712-000	20541809A012	Fence decal 2	1
6	D158-726-001	20541809A027A	Important Notice decal	2
7	D158-704-000	20541809A004	Left rail decal	1
8	D158-707-000	20541809A007	Watch step decal	4
9	D158-719-000	20541809A020	Do not enter decal	2
10	D158-710-000	20541809A010	Right rail decal	1
11	D158-720-000	20541809A021	Front fence logo decal	2
12	D158-706-000	20541809A006	Front fence border decal	2
13	D158-711-000	20541809A011	Fence decal 1	1
14	D158-741-000	20541809003	Monitor protected plastic	2
15	D158-703-001	20541809A003A	Right cardboard	1



No.	Part No.	Code	Name	Qty
1	D158-728-000	2560000093	Dongle label	1
2	D158-735-000	25600000116	Recovery stick label	1
3	D158-742-000	25600000101	Counter label	1
4	D158-718-000	20541809A019	Caution label	8
5	D158-723-000	20541809A024	TUV nameplate	1
6	D158-724-000	20541809A025	CE nameplate	1
7	D158-731-000	25600000016	Power switch label	1
8	D158-743-000	25600000097	Network label	1
9	D158-733-000	25600000077	Fuse label	2
10	D158-729-000	25600000072	220V label	2
11	D158-734-000	25600000091	GND label	2
12	D158-736-000	25600000071	110V label	2
13	D158-714-000	20541809A015	Warning label	4
14	D158-732-000	25600000036	High voltage label	2
15	D158-722-000	20541809A023	110V nameplate	1
16	D158-721-000	20541809A022	220V nameplate	1
17	D158-739-000	25600000067	Service label	1
18	D158-730-000	25600000037	High voltage L label	1
19	D158-715-000	20541809A016	Movement label	3
20	D158-732-000	25600000036	High voltage label	1
21	D158-740-000	25600000095	Service contact label	1
22	D158-738-000	25600000042	Service notice label	1

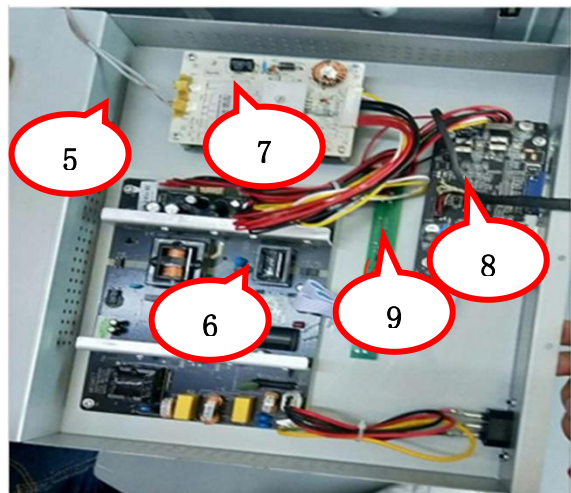
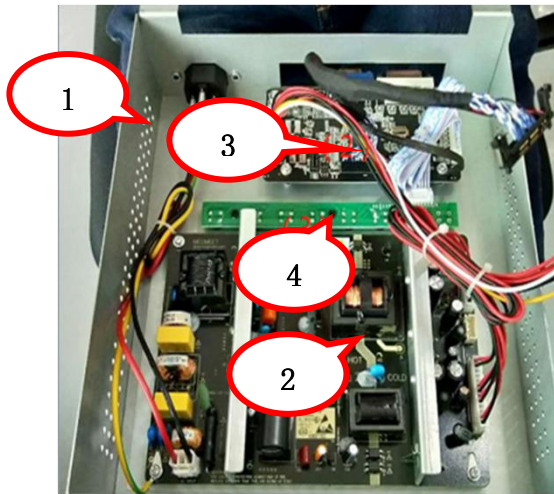


No.	Part No.	Code	Name	Qty
1	D158-727-001	20541809A028A	Safety notice label	8×2
2	D158-716-000	20541809A017	Horse hole plate decal	4
3	D158-717-000	20541809A018	Fuse board label	2
4	D158-725-000	20541809A026	AAMA label	2
5	D158-709-000	20541809A009	Jump button decal	2
6	D158-726-001	20541809A027A	Important Notice decal	2
7	D158-737-000	25600000096	Service contact S label	2
8	D158-705-000	20541809A005	Stop button decal	2
9	D158-744-000	20541809A029	Utilize handle decal	2

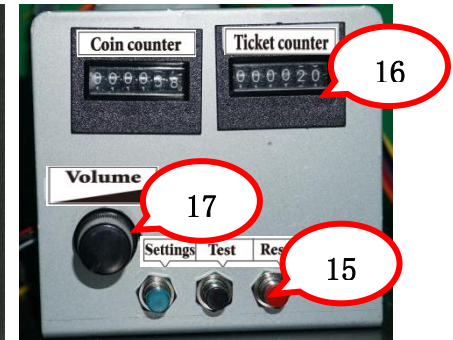
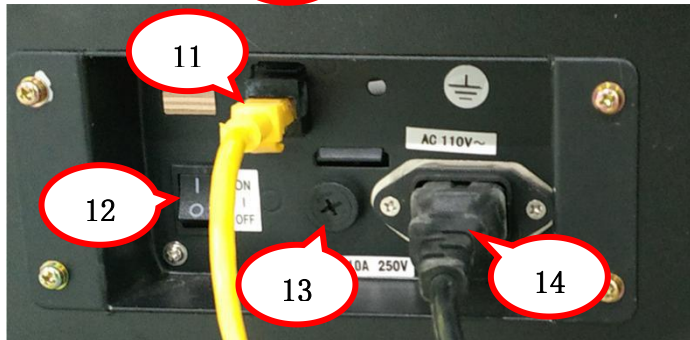
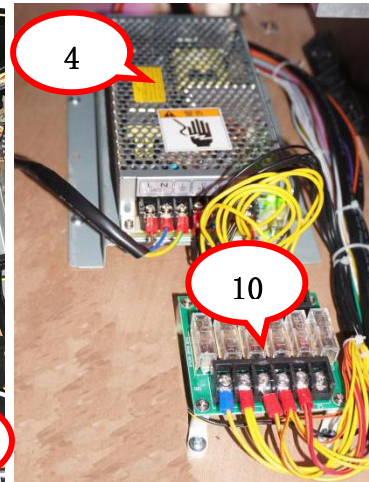
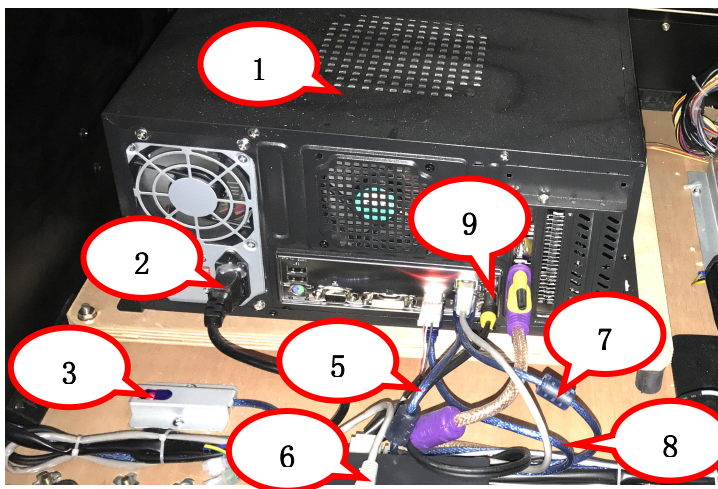
9.23 Electrical Components



No.	Part No.	Code	Name	Qty
1	D158-450-002	22002015019	BG5050W light strip-white	59 in (150cm)
2	D158-415-002	22002015021	BG5050RGB light strip-RGB	100in (255cm)
3	D158-437-000	22002019001	Flexible light belt	118 in×2 (300cm×2)
4	D158-433-000	21201032018	Marquee monitor	1
	D158-465-000	23307020001	Video cable	1
5	D158-415-002	22002015021	BG5050RGB light strip-RGB	49 in×4 (125cm×4)
6	D158-434-000	21201055010	Monitor	2
	D158-465-000	23307020001	Video cable	2
7	D158-440-000	23100000005	Ticket dispenser	2
8	D158-415-002	22002015021	BG5050RGB light strip-RGB	104 in×2 (265cm×2)
9	D158-438-000	22301000002	Coin mechanism	2
10	D158-422-000	22801000047	Speaker	4
	D158-451-002	22002011003	BG2835G light strip-green	51 in×2 (130cm×2)
11	D158-415-002	22002015021	BG5050RGB light strip-RGB	49 in×4 (125cm×4)
12	D158-458-000	22403000007A	Stop button	2
13	D158-437-000	22002019001	Flexible light belt	79 in×3 (200cm×3)
14	D158-441-002	22002011005	BG2835B Light strip-blue	81 in×2 (205cm×2)
15	D158-415-002	22002015021	BG5050RGB light strip-RGB	18 in×6 (45cm×6)
16	D158-454-000	22401080005	Button with white light	2
	D158-425-000	22604000006	Micro SW	2
	D158-426-000	22003000006	LED blub	2
17	D158-452-000	23304000097	Extension cord	2
	D158-453-000	21107040026	Camera	2



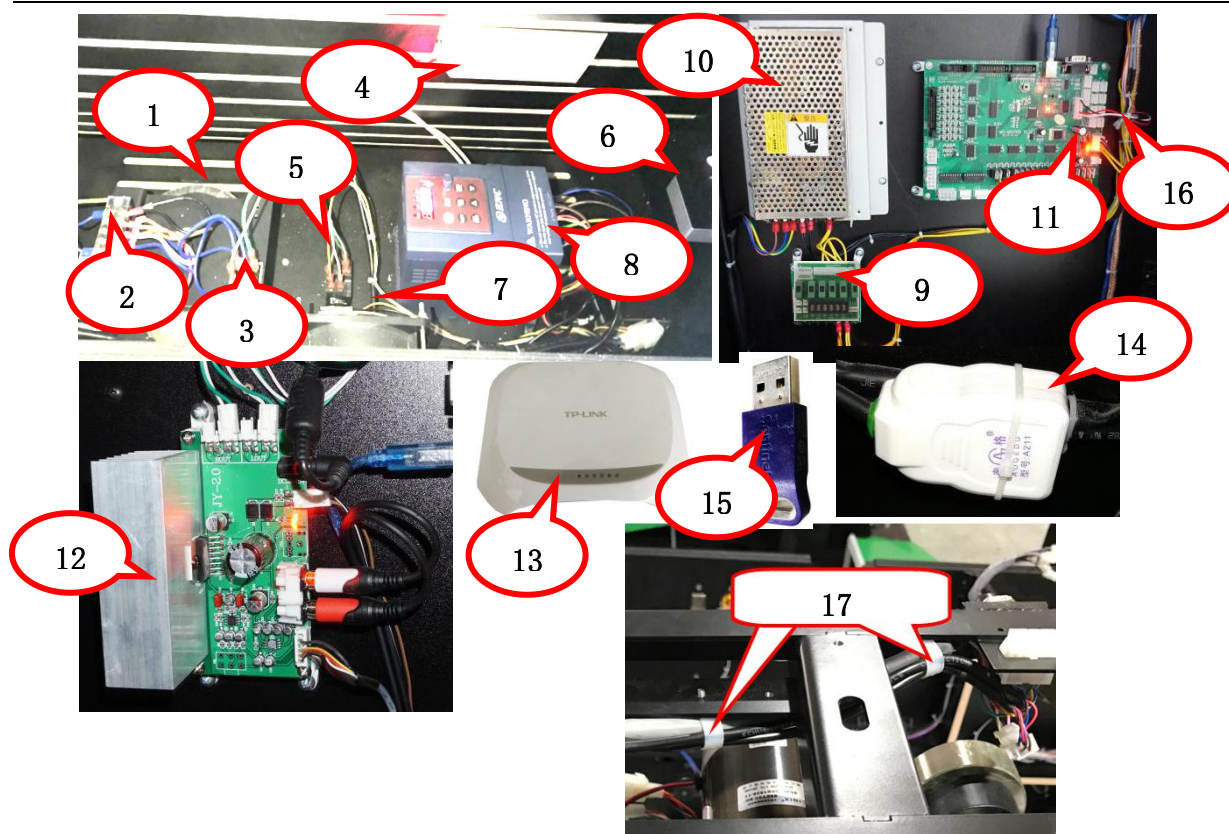
No.	Part No.	Code	Name	Qty
1	D158-468-000	2.66.01.090400	Marquee monitor chassis assembly	1
2	D158-468-001	2.66.01.090397	Power board	1
3	D158-468-002	2.66.01.090396	Driver board	1
4	D158-468-003	2.66.01.090407	7-key board	1
5	D158-469-000	2.66.01.090403	Monitor chassis assembly	1x2
6	D158-469-001	2.66.01.090397	Power board	1x2
7	D158-469-002	2.66.01.090405	Constant current board	1x2
8	D158-469-003	2.66.01.090396	Driver board	1x2
9	D158-469-004	2.66.01.090407	7-key board	1x2



No.	Part No.	Code	Name	Qty
1	D158-419-000	21102000051F	Computer	3
	D158-419-001	21107220008	Main board	3
	D158-419-002	21107190014	CPU	3
	D158-419-003	21107090014	Ram	3
	D158-419-004	21107060006	Hard disk	3
	D158-419-005	21107170012	Computer power	3
	D158-419-006	21107070008	Computer fan	3
	D158-419-007	21107070007	CPU fan	3
	D158-419-008	21107270004	Computer cabinet	3
	D158-419-009	21107030038	Video card	3
2	D158-405-000	23301050002	Power cord	3
3	D158-427-000	21107020036	Dongle	3
4	D158-421-000	21602000114	Power supply	2
5	D158-416-000	23304000018	Data cable	1
6	D158-447-000	23302000013	Network cable	4
7	D158-417-000	23304000021	Data cable	2
8	D158-418-000	23304000100	Extension cord	3
9	D158-410-000	23305000003	Audio cable	2
10	D158-420-001	21714000148D	Fuse board	2
11	D158-442-000	23302000001	Network cable socket	3
	D158-448-000	23302000014	Network cable	2
12	D158-403-000	22601000005	Rocker switch	3
13	D158-401-000	21902000006	Fuse socket	3
	D158-402-000	21901000013	Fuse	3
14	D158-404-000	23201000001A	Filter	3
15	D158-412-000	22402030002	Green button	2
	D158-413-000	22402010002	Red button	2
	D158-414-000	22402050001	Black button	2
16	D158-409-000	23000000006	Counter	4
17	D158-463-000	29791400001	POT connected board	1
	D158-464-000	22403000001	POT knob	1

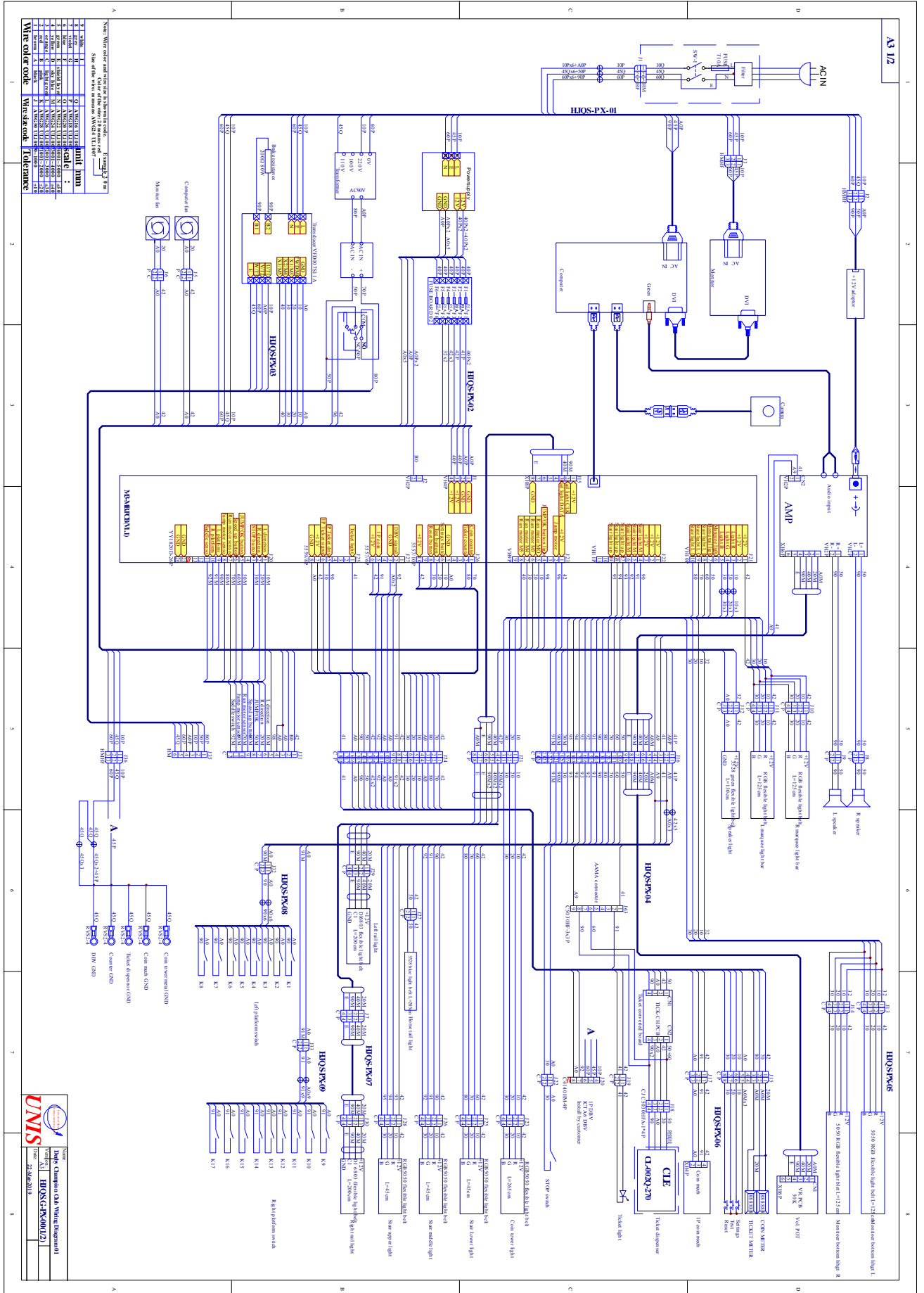


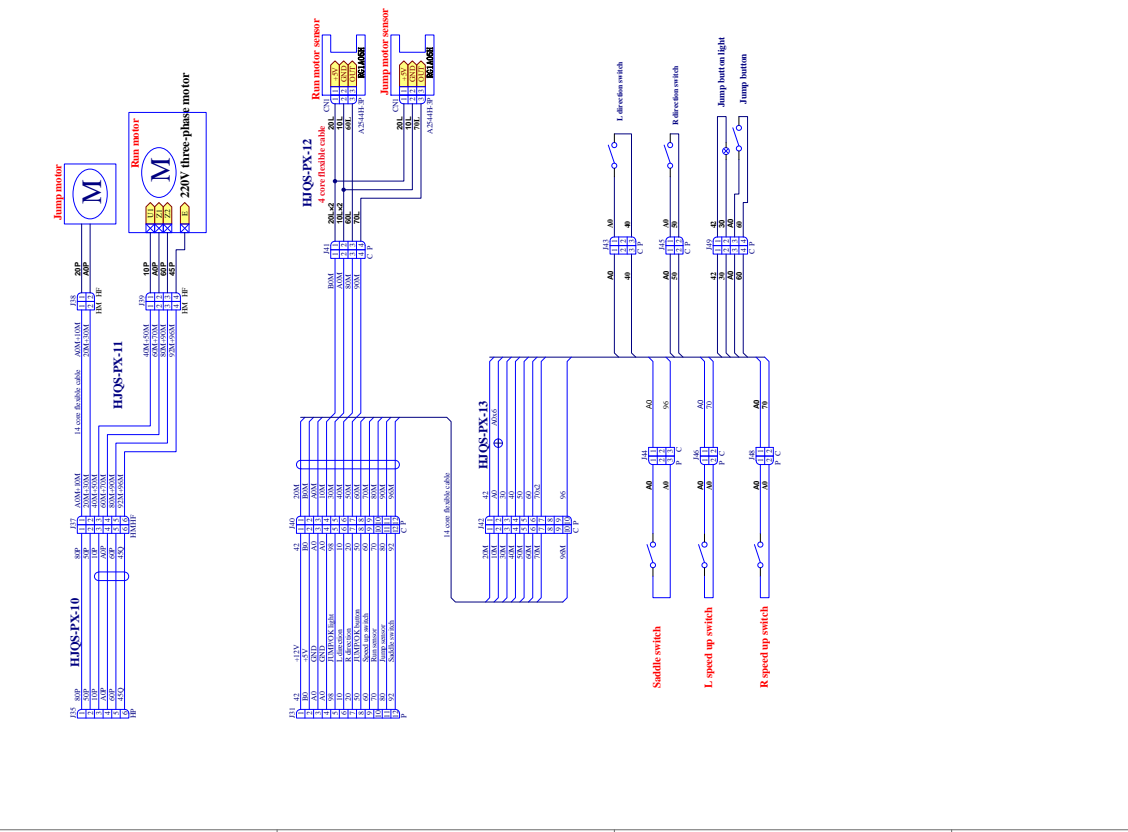
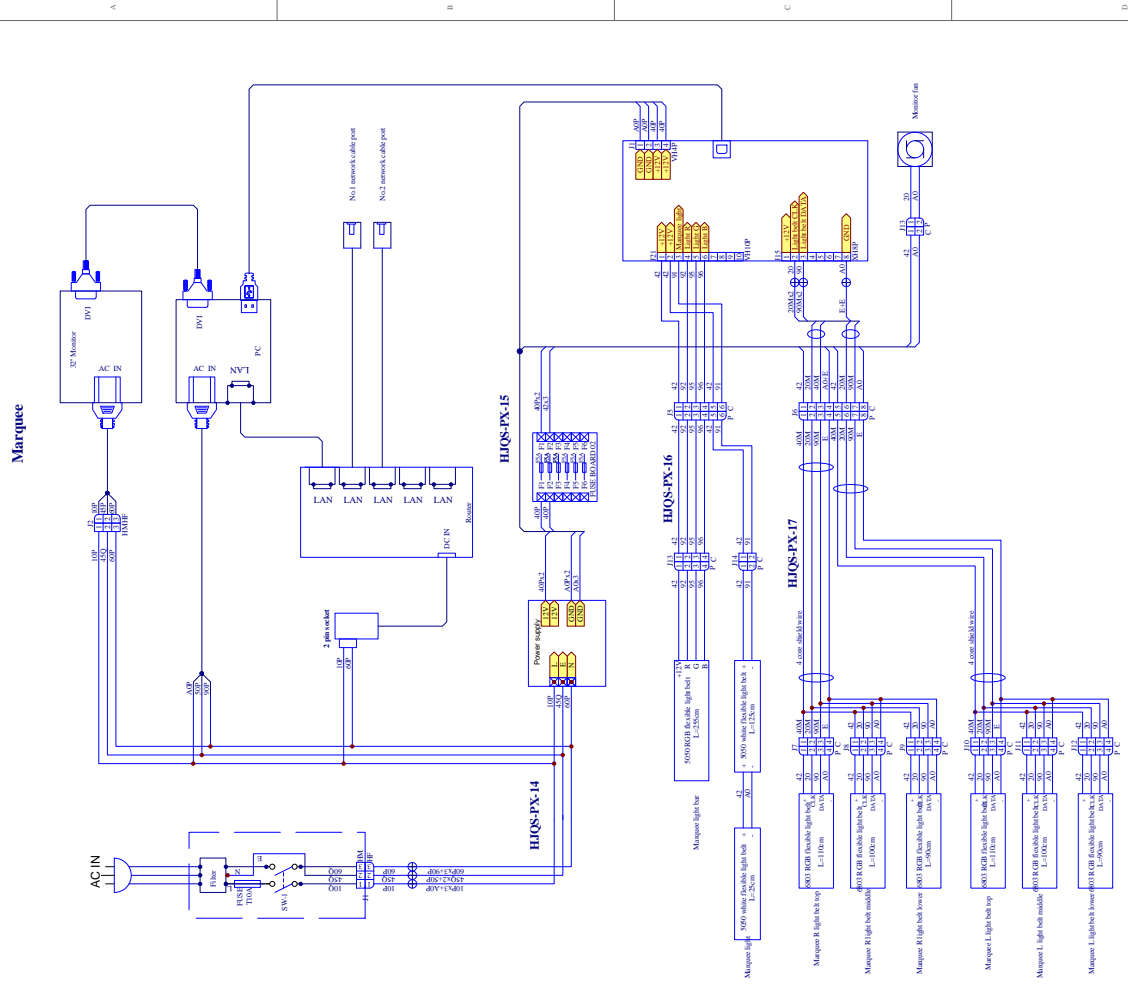
No.	Part No.	Code	Name	Qty
1	D158-439-000	21503020004	Saddle switch	3×2
2	D158-435-000	21503000046	Horse photo sensor	4
3	D158-436-000	22401000081	Platform safety button	32
4	D158-461-000	22008010001	Ticket light	1x2
5	D158-460-000	29790700002	Ticket converted board	1x2
6	D158-430-000	23308050006	13.2 Type R cable clamp	6
7	D158-429-000	23308050005	10.4 Type R cable clamp	6
8	D158-431-000	23308060001	Type U cable clamp	16



No.	Part No.	Code	Name	Qty
1	D158-443-000	21601000121	Transformer	2
2	D158-445-000	21902000030	Line bank	2
3	D158-444-000	50300000012	Rectifier bridge	2
4	D158-423-000	20841804003	Brake resistance	2
5	D158-446-000	22140012007	Relay	2
6	D158-432-000	21603000027	Adapter	2
	D158-457-000	23301040022	Power cord	2
7	D158-406-000	22702010025	DC fan	5
	D158-408-000	22702000010	Fan grill	10
8	D158-456-000	21605000008	Transducer	2
9	D158-420-001	21714000148D	Fuse board	1
10	D158-421-000	21602000114	Power supply	1
11	D158-411-000	29791300001	M3 board	3
12	D158-407-000	22803010004	Amplifier board	2
13	D158-449-000	21301000006	Router	1
14	D158-455-000	21606040019	Single-phase bipolar connector socket	1
15	D158-424-000	41300000007	Recovery stick	3
16	D158-459-000	23309000313A	Cable set	1
17	D158-428-000	23308050010	R16 Type R cable clamp	10

10. WIRING DIAGRAM





A3 2/2

Wire color code Wire size code

Wire color code	Wire size code
0	AWG 18 (0.8mm)
1	AWG 16 (1.0mm)
2	AWG 14 (1.6mm)
3	AWG 12 (2.0mm)
4	AWG 10 (2.5mm)
5	AWG 8 (3.2mm)
6	AWG 6 (4.0mm)
7	AWG 4 (5.0mm)
8	AWG 3 (6.0mm)
9	AWG 2 (7.0mm)
10	AWG 1 (8.0mm)
11	AWG 0 (9.0mm)
12	AWG 00 (10.0mm)
13	AWG 000 (11.0mm)
14	AWG 0000 (12.0mm)
15	AWG 00000 (13.0mm)
16	AWG 000000 (14.0mm)
17	AWG 0000000 (15.0mm)
18	AWG 00000000 (16.0mm)
19	AWG 000000000 (17.0mm)
20	AWG 0000000000 (18.0mm)
21	AWG 00000000000 (19.0mm)
22	AWG 000000000000 (20.0mm)
23	AWG 0000000000000 (21.0mm)
24	AWG 00000000000000 (22.0mm)
25	AWG 000000000000000 (23.0mm)
26	AWG 0000000000000000 (24.0mm)
27	AWG 00000000000000000 (25.0mm)
28	AWG 000000000000000000 (26.0mm)
29	AWG 0000000000000000000 (27.0mm)
30	AWG 00000000000000000000 (28.0mm)
31	AWG 000000000000000000000 (29.0mm)
32	AWG 0000000000000000000000 (30.0mm)
33	AWG 00000000000000000000000 (31.0mm)
34	AWG 000000000000000000000000 (32.0mm)
35	AWG 0000000000000000000000000 (33.0mm)
36	AWG 00000000000000000000000000 (34.0mm)
37	AWG 000000000000000000000000000 (35.0mm)
38	AWG 0000000000000000000000000000 (36.0mm)
39	AWG 00000000000000000000000000000 (37.0mm)
40	AWG 000000000000000000000000000000 (38.0mm)
41	AWG 0000000000000000000000000000000 (39.0mm)
42	AWG 00000000000000000000000000000000 (40.0mm)
43	AWG 000000000000000000000000000000000 (41.0mm)
44	AWG 0000000000000000000000000000000000 (42.0mm)
45	AWG 00000000000000000000000000000000000 (43.0mm)
46	AWG 000000000000000000000000000000000000 (44.0mm)
47	AWG 0000000000000000000000000000000000000 (45.0mm)
48	AWG 00000000000000000000000000000000000000 (46.0mm)
49	AWG 000000000000000000000000000000000000000 (47.0mm)
50	AWG 00 (48.0mm)
51	AWG 000 (49.0mm)
52	AWG 00 (50.0mm)
53	AWG 000 (51.0mm)
54	AWG 00 (52.0mm)
55	AWG 000 (53.0mm)
56	AWG 00 (54.0mm)
57	AWG 000 (55.0mm)
58	AWG 00 (56.0mm)
59	AWG 000 (57.0mm)
60	AWG 00 (58.0mm)
61	AWG 000 (59.0mm)
62	AWG 00 (60.0mm)
63	AWG 000 (61.0mm)
64	AWG 00 (62.0mm)
65	AWG 000 (63.0mm)
66	AWG 00 (64.0mm)
67	AWG 000 (65.0mm)
68	AWG 00 (66.0mm)
69	AWG 000 (67.0mm)
70	AWG 00 (68.0mm)
71	AWG 000 (69.0mm)
72	AWG 00 (70.0mm)
73	AWG 000 (71.0mm)
74	AWG 00 (72.0mm)
75	AWG 000 (73.0mm)
76	AWG 00 (74.0mm)
77	AWG 000 (75.0mm)
78	AWG 00 (76.0mm)
79	AWG 000 (77.0mm)
80	AWG 00 (78.0mm)
81	AWG 000 (79.0mm)
82	AWG 00 (80.0mm)
83	AWG 000 (81.0mm)
84	AWG 00 (82.0mm)
85	AWG 000 (83.0mm)
86	AWG 00 (84.0mm)
87	AWG 000 (85.0mm)
88	AWG 00 (86.0mm)
89	AWG 000 (87.0mm)
90	AWG 00 (88.0mm)
91	AWG 000 (89.0mm)
92	AWG 00 (90.0mm)
93	AWG 000 (91.0mm)
94	AWG 00 (92.0mm)
95	AWG 000 (93.0mm)
96	AWG 00 (94.0mm)
97	AWG 000 (95.0mm)
98	AWG 00 (96.0mm)
99	AWG 000 (97.0mm)
100	AWG 00 (98.0mm)
101	AWG 000 (99.0mm)
102	AWG 00 (100.0mm)